



Chipsmall Limited consists of a professional team with an average of over 10 year of expertise in the distribution of electronic components. Based in Hongkong, we have already established firm and mutual-benefit business relationships with customers from,Europe,America and south Asia,supplying obsolete and hard-to-find components to meet their specific needs.

With the principle of "Quality Parts,Customers Priority,Honest Operation,and Considerate Service",our business mainly focus on the distribution of electronic components. Line cards we deal with include Microchip,ALPS,ROHM,Xilinx,Pulse,ON,Everlight and Freescale. Main products comprise IC,Modules,Potentiometer,IC Socket,Relay,Connector.Our parts cover such applications as commercial,industrial, and automotives areas.

We are looking forward to setting up business relationship with you and hope to provide you with the best service and solution. Let us make a better world for our industry!



Contact us

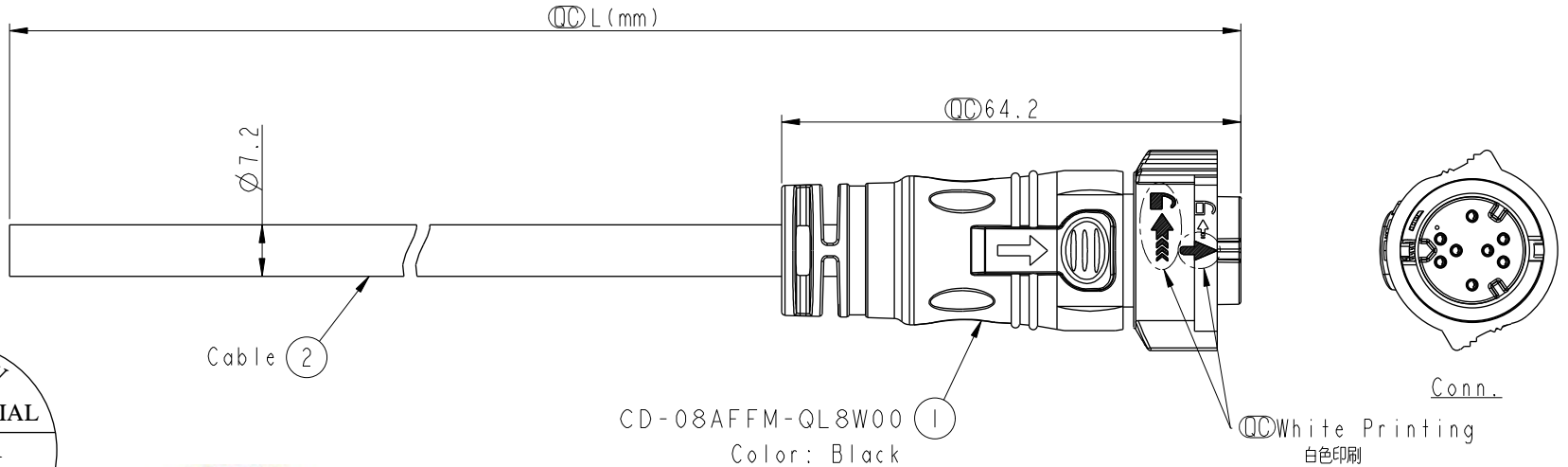
Tel: +86-755-8981 8866 Fax: +86-755-8427 6832

Email & Skype: info@chipsmall.com Web: www.chipsmall.com

Address: A1208, Overseas Decoration Building, #122 Zhenhua RD., Futian, Shenzhen, China



REV.	ECN NO.	DATE	SIGN	DESCRIPTION



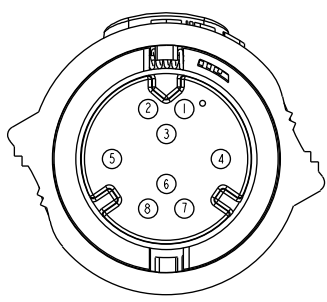
ALTW
CONFIDENTIAL
2014-12-11
R&D DEPT.

ALTW
DCC. DEPT.
CONFIDENTIAL
2015.03.23
ISSUED

CD-08AFFM-QL8W00
Color: Black

- Note:
- * \varnothing Important Dimension To Check.
 - * Working Voltage Rating: AC 300 V
 - * Working Current Rating: 5A
 - * Flame Class: UL94V-0 (UV Resistance)
 - * Waterproof Rate: IP68(Mated).
 - * Housing: Nylon+GF, Black.
 - * Female Pin: Copper Alloy, Gold Plated
 - * Cable: UL21388 20AWG*8C+AL/PET Tape Black,PVC Jacket UV Resistant, OD=7.2
 - * Cable Length Tolerance: 01M:±40mm
02M~05M:±60mm
06M~10M:±100mm
11M~30M:±200mm
31M~99M:±500mm

CD-08AFFM-QL8DXX
 ↑
 XX : 01~99Meters
 01 : 01Meter
 02 : 02Meters
 :
 :
 99 : 99Meters



8	Green	綠
7	Orange	橙
6	Blue	藍
5	Purple	紫
4	Yellow	黃
3	Black	黑
2	Red	紅
1	White	白
Conn.	Wire Color	Pin Out

UNIT:mm
TOLERANCE ±0.5

TITLE X Lok C-Size
Cable 8 Pin 5A F Conn. F Pin

SCALE 1:1	SIZE A4	SHEET 1 OF 1
REV. A	WC-REV. A.1	\varnothing : Inspection item

Amphenol LTW
安費諾亮泰企業股份有限公司

ITEM NO	DRAWN BY Micky	DATE 2014-12-11
DWG NO CD-08AFFM-QL8DXX	CHECKED BY Spring	DATE 2014-12-11
CUSTOMER ALTW	APPROVED BY Kevin	DATE 2014-12-11

THIS DOCUMENT IS SUBJECT TO CHANGE WITHOUT NOTICE. IT IS CONFIDENTIAL AND A PROPERTY OF Amphenol LTW. DISCLOSURE TO THIRD PARTY HAS TO BE AUTHORIZED BY Amphenol LTW.