



Chipsmall Limited consists of a professional team with an average of over 10 year of expertise in the distribution of electronic components. Based in Hongkong, we have already established firm and mutual-benefit business relationships with customers from,Europe,America and south Asia,supplying obsolete and hard-to-find components to meet their specific needs.

With the principle of “Quality Parts,Customers Priority,Honest Operation,and Considerate Service”,our business mainly focus on the distribution of electronic components. Line cards we deal with include Microchip,ALPS,ROHM,Xilinx,Pulse,ON,Everlight and Freescale. Main products comprise IC,Modules,Potentiometer,IC Socket,Relay,Connector.Our parts cover such applications as commercial,industrial, and automotives areas.

We are looking forward to setting up business relationship with you and hope to provide you with the best service and solution. Let us make a better world for our industry!



## Contact us

Tel: +86-755-8981 8866 Fax: +86-755-8427 6832

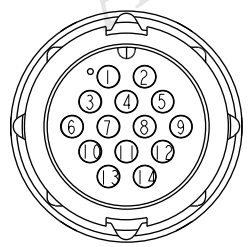
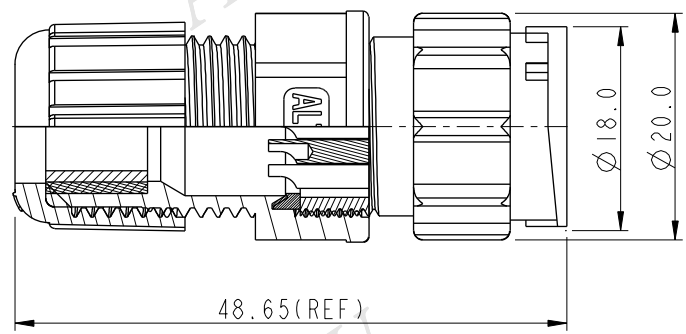
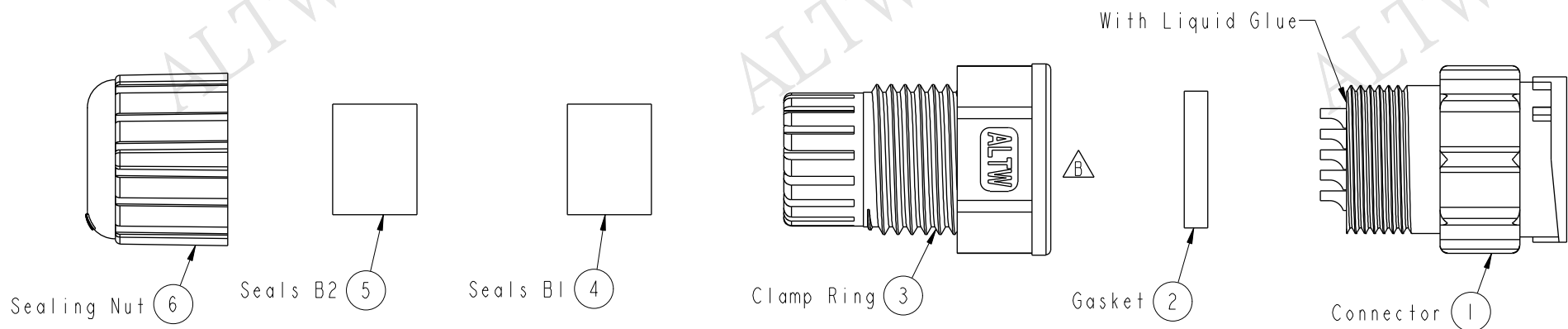
Email & Skype: info@chipsmall.com Web: www.chipsmall.com

Address: A1208, Overseas Decoration Building, #122 Zhenhua RD., Futian, Shenzhen, China

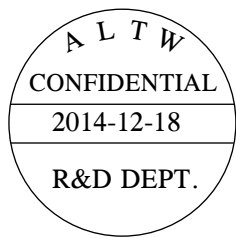


THIS DOCUMENT IS SUBJECT TO CHANGE WITHOUT NOTICE. IT IS CONFIDENTIAL AND A PROPERTY OF AMPHENOL LTW. DISCLOSURE TO THIRD PARTY HAS TO BE AUTHORIZED BY AMPHENOL LTW.

REV.	ECN NO.	DATE	SIGN	DESCRIPTION
B	LEN1530174	2014/12/18	Ruru	Change Logo



Pin Assignments  
Front View 前視圖



- Note:**
- \*  $\text{CC}$  Important Dimension
  - \* Housing: Nylon+GF, Black
  - \* Gasket: Silicone, Black
  - \* Clamp Ring: Nylon+GF, Black
  - \* Seals B1: EPDM, Black
  - \* Seals B2: EPDM, Black
  - \* Sealing Nut: Nylon+GF, Black
  - \* Seal B1 for Cable OD:  $\varnothing 7.6\text{mm} \sim \varnothing 9.6\text{mm}$
  - \* Seal B2 for Cable OD:  $\varnothing 4.0\text{mm} \sim \varnothing 7.6\text{mm}$
  - \* One Set Unassembled in One PE Bag

UNIT: mm

TOLERANCE	
.X	$\pm 0.25$
.XX	$\pm 0.1$
.XXX	$\pm 0.05$
ANGLES	$\pm 1^\circ$

TITLE Lock Type Connector For Field Installation 180° 14Pin Male Connector Male Pin(5A)			
SCALE	SIZE	SHEET	OF
1:1	A4	1	1
REV.	WC-REV.	$\text{CC}$ : Inspection item	
B	A.2		

**Amphenol LTW**  
安費諾亮泰企業股份有限公司

ITEM NO. CD-14BMMA-LL7001	DRAWN BY Ruru	DATE 2014-12-18
DWG NO. CD-14BMMA-LL7001	CHECKED BY Rita	DATE 2014-12-18
CUSTOMER ALTW	APPROVED BY Win	DATE 2014-12-18