



Chipsmall Limited consists of a professional team with an average of over 10 year of expertise in the distribution of electronic components. Based in Hongkong, we have already established firm and mutual-benefit business relationships with customers from,Europe,America and south Asia,supplying obsolete and hard-to-find components to meet their specific needs.

With the principle of “Quality Parts,Customers Priority,Honest Operation,and Considerate Service”,our business mainly focus on the distribution of electronic components. Line cards we deal with include Microchip,ALPS,ROHM,Xilinx,Pulse,ON,Everlight and Freescale. Main products comprise IC,Modules,Potentiometer,IC Socket,Relay,Connector.Our parts cover such applications as commercial,industrial, and automotives areas.

We are looking forward to setting up business relationship with you and hope to provide you with the best service and solution. Let us make a better world for our industry!



Contact us

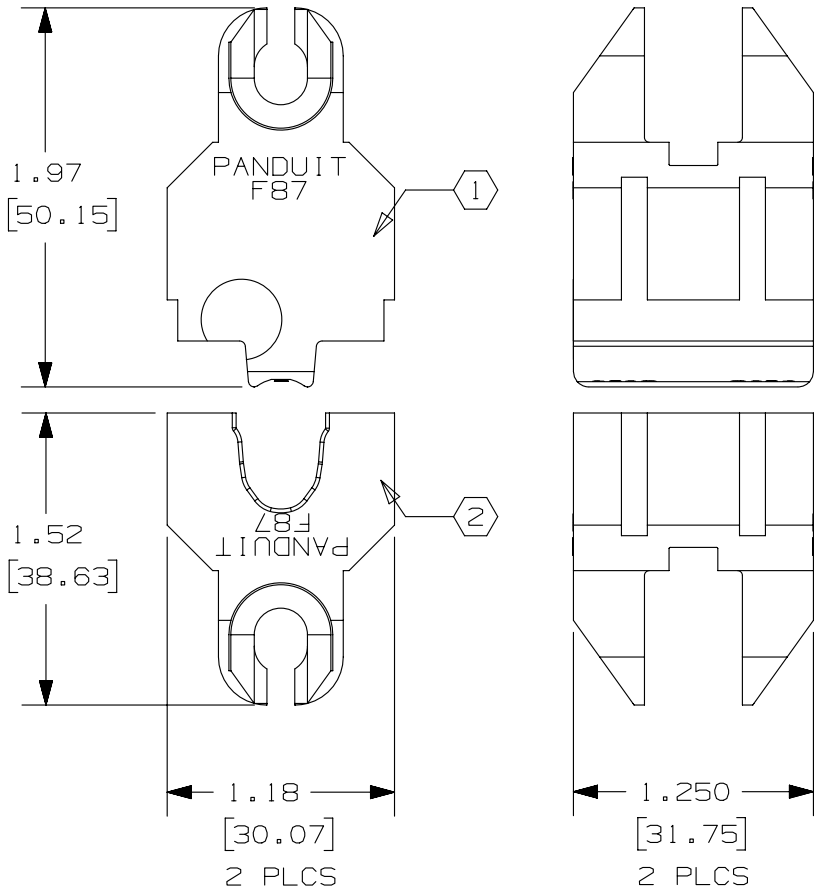
Tel: +86-755-8981 8866 Fax: +86-755-8427 6832

Email & Skype: info@chipsmall.com Web: www.chipsmall.com

Address: A1208, Overseas Decoration Building, #122 Zhenhua RD., Futian, Shenzhen, China



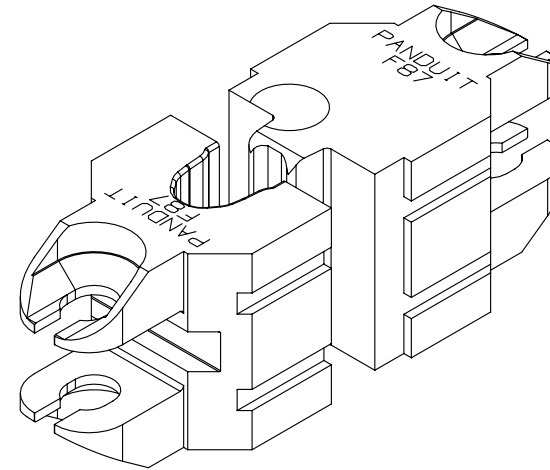
THIS COPY IS PROVIDED ON A RESTRICTED BASIS AND IS NOT TO BE USED IN ANY WAY DETRIMENTAL TO THE INTERESTS OF PANDUIT CORP.



ID	PART NUMBER	DESCRIPTION
1	CD-2001-F87	DIE, CRIMP - TP27012B01
2		DIE, F - TP27013B01

NOTES, UNLESS OTHERWISE SPECIFIED:

1. DIMENSIONS IN BRACKETS ARE IN METRIC.
2. RECOMMENDED TOOL: CT-3001
3. COMPATIBLE TOOL: CT-2001
4. WIRE SIZE: 1 AWG, 1/0
5. CRIMPS: F87 FERRULES - ALL SIZES



REV	DATE	BY	CHK	APR	DESCRIPTION	ECN
03	02/20/13	SILD		ALP	△ ADDED MORE DETAILED INFORMATION TO NOTE	4545
02	01/14/13	SILD		ALP	RELEASED	4545

TITLE		CD-2001-F87 CUSTOMER DRAWING	
CONTROL DRAWING			
ITEM REVISION NAME		R27006AA/03	
DATASET FILE NAME		R27006AA_DS_TP27006A01/03A	
UNLESS OTHERWISE SPECIFIED, DIMENSIONAL TOLERANCES ARE: IN (mm)		MATERIAL:	
.x ± .1 [2.54] .xxx ± .005 [.127]		4140 STEEL / RC 32-25	
.xx ± .01 [.25] ANGLES ± 5 °		DRAWING NUMBER:	
THIRD ANGLE PROJECTION		TP27006A01	
DRAWN BY	DATE	CHK	SCALE
SILD	01/14/13	ALP	1:1
SHT 1 OF 1			SIZE
			A