



Chipsmall Limited consists of a professional team with an average of over 10 year of expertise in the distribution of electronic components. Based in Hongkong, we have already established firm and mutual-benefit business relationships with customers from,Europe,America and south Asia,supplying obsolete and hard-to-find components to meet their specific needs.

With the principle of “Quality Parts,Customers Priority,Honest Operation,and Considerate Service”,our business mainly focus on the distribution of electronic components. Line cards we deal with include Microchip,ALPS,ROHM,Xilinx,Pulse,ON,Everlight and Freescale. Main products comprise IC,Modules,Potentiometer,IC Socket,Relay,Connector.Our parts cover such applications as commercial,industrial, and automotives areas.

We are looking forward to setting up business relationship with you and hope to provide you with the best service and solution. Let us make a better world for our industry!



## Contact us

Tel: +86-755-8981 8866 Fax: +86-755-8427 6832

Email & Skype: info@chipsmall.com Web: www.chipsmall.com

Address: A1208, Overseas Decoration Building, #122 Zhenhua RD., Futian, Shenzhen, China



2

1

THIS COPY IS PROVIDED ON A RESTRICTED BASIS AND IS NOT TO BE USED IN ANY WAY DETRIMENTAL TO THE INTERESTS OF PANDUIT CORP.

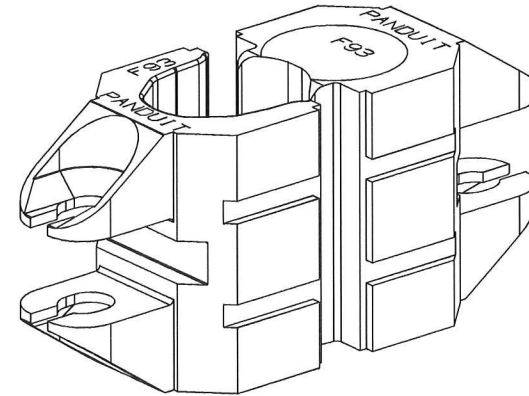
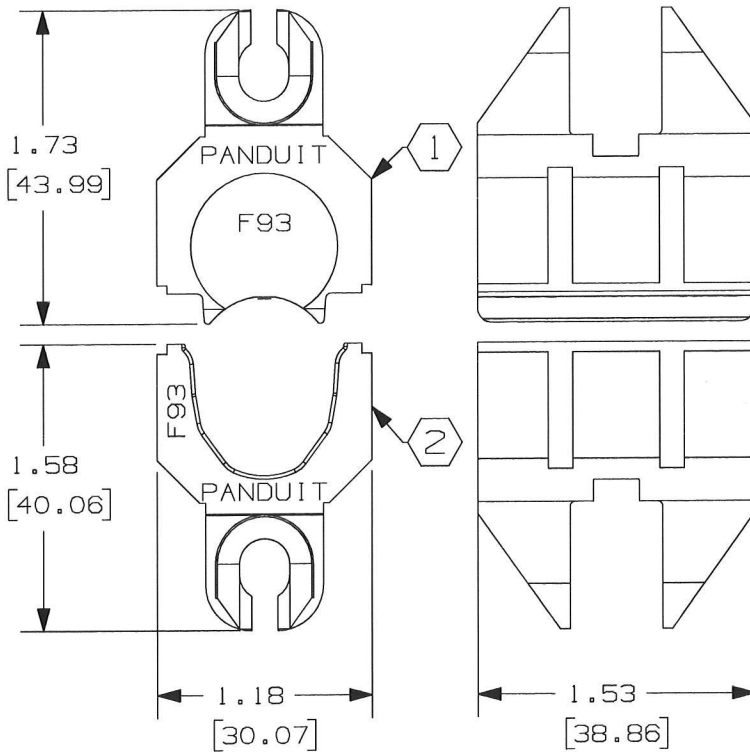
ID	PART NUMBER	DESCRIPTION
1	CD-2001-F93	DIE, CRIMP - TP26999B01
2		DIE, F - TP26998B01

NOTES, UNLESS OTHERWISE SPECIFIED:

1. DIMENSIONS IN BRACKETS ARE IN METRIC.
2. RECOMMENDED TOOL: CT-3001
3. COMPATIBLE TOOL: CT-2001
4. WIRE SIZE: 350 MCM
5. CRIMPS: F93 FERRULES - ALL SIZES

B

B



A

A

01	04/12/13	SILD	ALP	RELEASE				4545	
REV	DATE	BY	CHK	APR	DESCRIPTION			ECN	

TITLE				CD-2001-F93 CUSTOMER DRAWING			
CUSTOMER DRAWING							
ITEM REVISION NAME				R26997AA/01			
DATASET FILE NAME				R26997AA_DS_TP26997A01/01A			
UNLESS OTHERWISE SPECIFIED, DIMENSIONAL TOLERANCES ARE: IN (mm)				MATERIAL:			
.x ± .1 [ 2.54 ]		.xxx ± .005 [ .127 ]		4140 STEEL / RC 32-35			
.xx ± .01 [ .25 ]		ANGLES ± 5 °		DRAWING NUMBER:			
		THIRD ANGLE PROJECTION		TP26997A01			
DRAWN BY	DATE	CHK	SCALE	SHT 1 OF 1		SIZE	
SILD	04/12/13	ALP	1:1			A	

2

1