



Chipsmall Limited consists of a professional team with an average of over 10 year of expertise in the distribution of electronic components. Based in Hongkong, we have already established firm and mutual-benefit business relationships with customers from,Europe,America and south Asia,supplying obsolete and hard-to-find components to meet their specific needs.

With the principle of “Quality Parts,Customers Priority,Honest Operation,and Considerate Service”,our business mainly focus on the distribution of electronic components. Line cards we deal with include Microchip,ALPS,ROHM,Xilinx,Pulse,ON,Everlight and Freescale. Main products comprise IC,Modules,Potentiometer,IC Socket,Relay,Connector.Our parts cover such applications as commercial,industrial, and automotives areas.

We are looking forward to setting up business relationship with you and hope to provide you with the best service and solution. Let us make a better world for our industry!



## Contact us

Tel: +86-755-8981 8866 Fax: +86-755-8427 6832

Email & Skype: info@chipsmall.com Web: www.chipsmall.com

Address: A1208, Overseas Decoration Building, #122 Zhenhua RD., Futian, Shenzhen, China



Copy

Fax

# PORTNOTE<sup>®</sup> SOLUTIONS

## RJ11 Fax/Modem (FXO)

### Solution Products



TISP4350T3BJR-S



B1250T



CD2320-B1600

### Design Kit



PN-DESIGNKIT 8

### Objective

In telecommunications, foreign exchange office (FXO) designates a telephone signaling interface that receives plain old telephone service (POTS). This solution protects those interfaces against surge and power contact threats.

### Solution

- 1 Thyristor: TISP4350T3BJR-S
- 1 Telecom Fuse: B1250T
- 1 Diode Bridge: CD2320-B1600

### Compliance

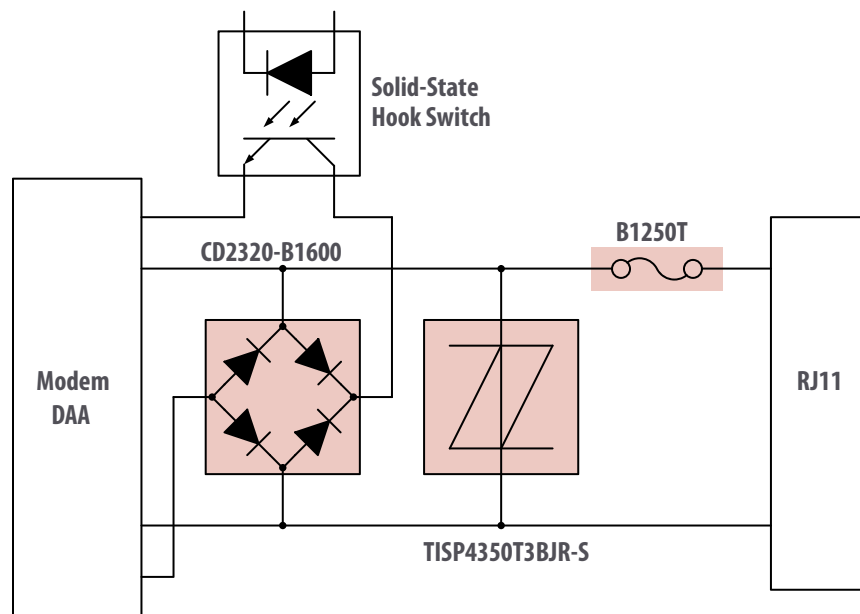
ITU-T K.21, IEC 60950, UL 60950 and TIA-968A

### Alternate Recommendations

*The TISP4310T3 should be considered for some "B" type ringers or for ITU-T Enhanced testing; consult with your local Bourns representative.*

### Benefit

This solution provides a high level of protection within a small amount of PCB area.



*The schematic above illustrates the application protection and does not constitute the complete circuit design. Customers should verify actual device performance in their specific applications.*

# BOURNS<sup>®</sup>

Americas: Tel +1-951 781-5500  
Fax +1-951 781-5700

Europe: Tel +41-(0)41 768 55 55  
Fax +41-(0)41 768 55 10

Asia-Pacific: Tel +886-2 256 241 17  
Fax +886-2 256 241 16

Bourns<sup>®</sup> PortNote<sup>®</sup> solutions provide protection recommendations for typical port threats.

For more information, go to:

[www.bourns.com](http://www.bourns.com)

or email: [protection@bourns.com](mailto:protection@bourns.com)