



Chipsmall Limited consists of a professional team with an average of over 10 year of expertise in the distribution of electronic components. Based in Hongkong, we have already established firm and mutual-benefit business relationships with customers from,Europe,America and south Asia,supplying obsolete and hard-to-find components to meet their specific needs.

With the principle of “Quality Parts,Customers Priority,Honest Operation,and Considerate Service”,our business mainly focus on the distribution of electronic components. Line cards we deal with include Microchip,ALPS,ROHM,Xilinx,Pulse,ON,Everlight and Freescale. Main products comprise IC,Modules,Potentiometer,IC Socket,Relay,Connector.Our parts cover such applications as commercial,industrial, and automotives areas.

We are looking forward to setting up business relationship with you and hope to provide you with the best service and solution. Let us make a better world for our industry!



## Contact us

Tel: +86-755-8981 8866 Fax: +86-755-8427 6832

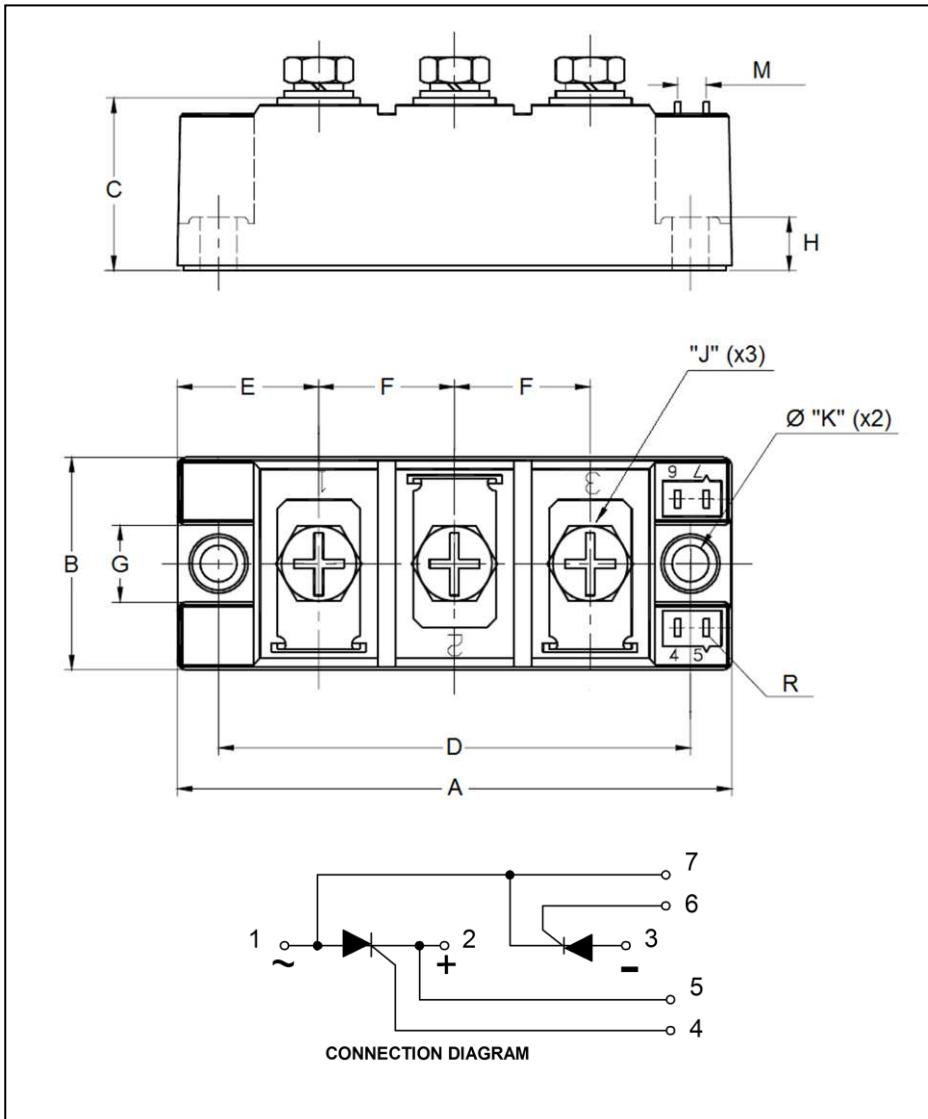
Email & Skype: info@chipsmall.com Web: www.chipsmall.com

Address: A1208, Overseas Decoration Building, #122 Zhenhua RD., Futian, Shenzhen, China



Powerex, Inc., 173 Pavilion Lane, Youngwood, Pennsylvania 15697 (724) 925-7272  
<http://www.pwr.com>

### POW-R-BLOK™ Dual SCR Isolated Module 150 Amperes / 800 to 1800 Volts



#### Description:

Powerex Dual SCR Modules are designed for use in applications requiring phase control and isolated packaging. The modules are isolated for easy mounting with other components on a common heatsink.

#### Features:

- Electrically Isolated Heatsinking
- Compression bonded construction
- Low Thermal Impedance for Improved Current Capability
- Quick Connect Gate Terminal with Provision for Keyed Mating Plug
- RoHS Compliant
- UL Recognized (E78240)

#### Benefits:

- No Additional Insulation Components Required
- Easy Installation
- No Clamping Components Required
- Reduce Engineering Time

#### Applications:

- Bridge Circuits
- AC & DC Motor Drives
- Battery Supplies
- Power Supplies
- Large IGBT Circuit Front Ends
- Lighting Control
- Heat & Temperature Control
- Welders

#### Outline Dimensions

Dimension	Inches	Millimeters
A	3.70	94
B	1.34	34
C	1.15	29.2
D	3.15	80
E	0.94	24
F	0.91	23
G	0.51	13
H	0.35	9
J	M6	M6
K	0.24	6.2
M	0.19	4.9
R	0.03 X 0.11	2.8 X 0.8

Note: Dimensions are for reference only.

#### Ordering Information:

Select the complete nine digit module part number from the table below.  
 Example: CD631615C is a 1600Volt, 150 Ampere Dual SCR Isolated POW-R-BLOK™ Module

Type	Voltage Volts (x100)	Current Amperes	Version
CD63	08	15 (150 A)	C
	10		
	12		
	14		
	16		
18			

**Absolute Maximum Ratings**

Characteristics	Conditions	Symbol		Units
Repetitive Peak Forward and Reverse Blocking Voltage		$V_{DRM}$ & $V_{RRM}$	800 to 1800	V
Non-Repetitive Peak Reverse Blocking Voltage (t < 5 msec)		$V_{RSM}$	$V_{RRM} + 100$	V
RMS Forward Current	180° Conduction, $T_C=86^\circ\text{C}$	$I_{T(RMS)}$	235	A
Average Forward Current	180° Conduction, $T_C=86^\circ\text{C}$	$I_{T(AV)}$	150	A
Peak One Cycle Surge Current, Non-Repetitive	50 Hz, 60% $V_{RRM}$ reapplied, $T_j=125^\circ\text{C}$	$I_{TSM}$	5400	A
$I^2t$ for Fusing for One Cycle	50 Hz, 60% $V_{RRM}$ reapplied, $T_j=125^\circ\text{C}$	$I^2t$	149,000	$\text{A}^2 \text{ sec}$
Maximum Rate-of-Rise of On-State Current, Repetitive	$T_j=125^\circ\text{C}$ , $I_{TM}=320\text{A}$ , $I_G=1.5\text{A}$ , $T_r < 0.5\mu\text{s}$	di/dt	100	$\text{A}/\mu\text{s}$
Operating Temperature		$T_j$	-40 to +125	$^\circ\text{C}$
Storage Temperature		$T_{stg}$	-40 to +125	$^\circ\text{C}$
Max. Mounting Torque, M6 Mounting Screw on Terminals			53 6	in.-Lb. Nm
Max. Mounting Torque, Module to Heatsink			53 6	in.-Lb. Nm
Module Weight, Typical			320 0.71	g lb
V Isolation @ 25C	$T_j=25^\circ\text{C}$ , 1 minute	$V_{rms}$	2500	V

Information presented is based upon manufacturers testing and projected capabilities. This information is subject to change without notice. The manufacturer makes no claim as to the suitability of use, reliability, capability, or future availability of this product.

**Electrical Characteristics,  $T_J=25^\circ\text{C}$  unless otherwise specified**

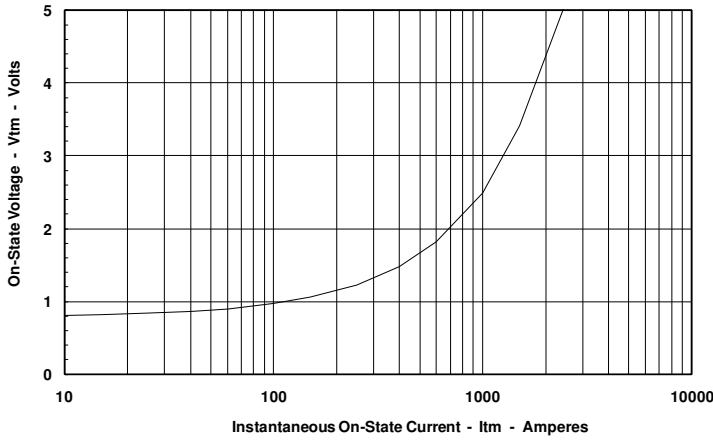
Characteristics	Symbol	Test Conditions	Min.	Max.	Units
Repetitive Peak Forward Leakage Current	$I_{DRM}$	At $V_{DRM}$ , $T_J=125^\circ\text{C}$		25	mA
Repetitive Peak Reverse Leakage Current	$I_{RRM}$	At $V_{RRM}$ , $T_J=125^\circ\text{C}$		25	mA
Peak On-State Voltage	$V_{TM} / V_{FM}$	$I_{TM} / I_{FM} = 480\text{A}$		1.60	V
Threshold Voltage, Low-level	$V_{(TO)1}$	$T_J = 125^\circ\text{C}$ , $I = 16.7\% \times \pi I_{T(AV)}$ to $\pi I_{T(AV)}$		0.8	V
Slope Resistance, Low-level	$r_{T1}$			1.69	$\text{m}\Omega$
Minimum dV/dt	dV/dt	Exponential to $2/3 V_{DRM}$ $T_J=125^\circ\text{C}$ , Gate Open	800		V/ $\mu\text{s}$
Gate Trigger Current	$I_{GT}$	$T_J = 25^\circ\text{C}$ , $V_D=12\text{V}$ , $I_A= 1\text{A}$		150	mA
Gate Trigger Voltage	$V_{GT}$	$T_J = 25^\circ\text{C}$ , $V_D=12\text{V}$ , $I_A= 1\text{A}$		2.5	Volts
Non-Triggering Gate Voltage	$V_{GDM}$	$T_J=125^\circ\text{C}$ , $V_D=V_{DRM}$		1.0	Volts
Non-Triggering Gate Current	$I_{GDM}$	$T_J=125^\circ\text{C}$ , $V_D=V_{DRM}$		30	mA
Holding Current	$I_H$	$T_J=25^\circ\text{C}$	150	(Typical)	mA

**Thermal Characteristics**

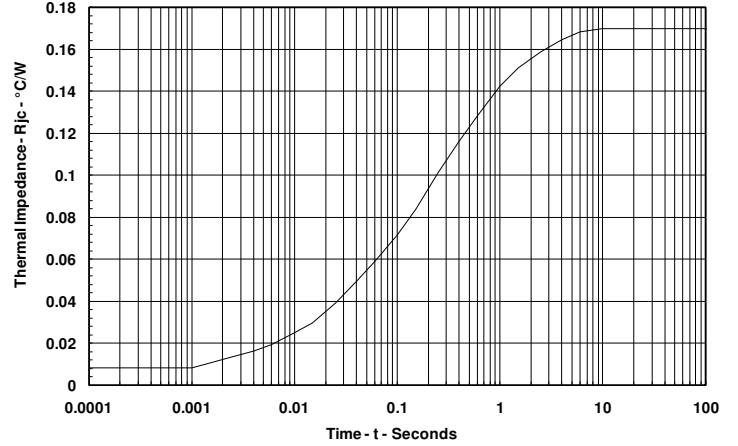
Characteristics	Symbol		Max.	Units
Thermal Resistance, Junction to Case DC Operation	$R_{\theta J-C}$	Per Junction, both conducting	0.17	$^\circ\text{C/W}$
Thermal Resistance, Case to Sink Lubricated	$R_{\theta C-S}$	Per Module	0.08	$^\circ\text{C/W}$



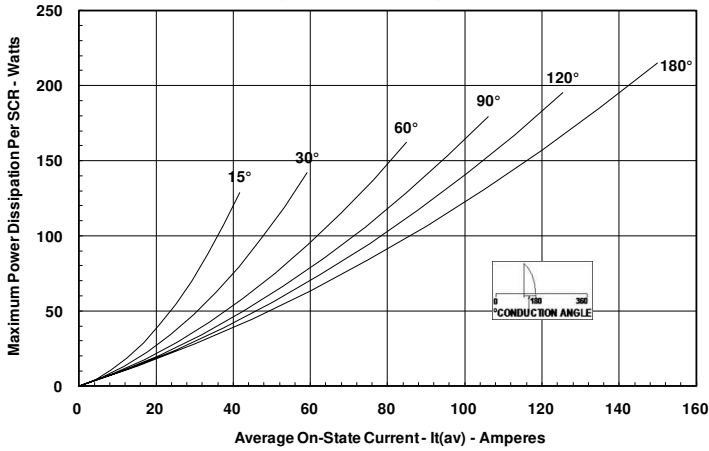
**Maximum On-State Forward Voltage Drop**  
 (T<sub>j</sub> = 125 °C)



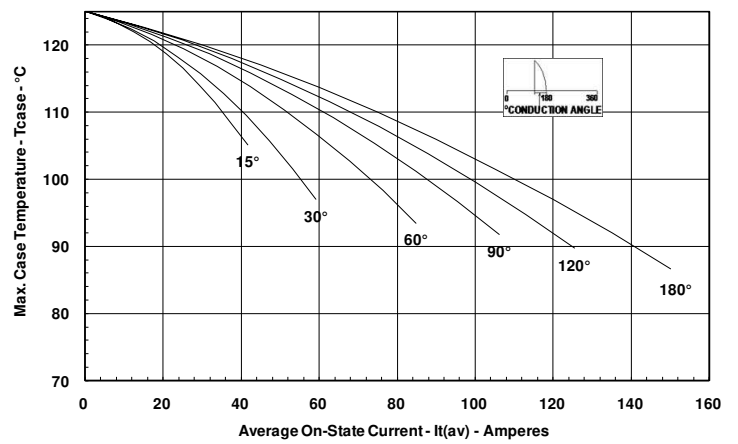
**Maximum Transient Thermal Impedance**  
 (Junction to Case)



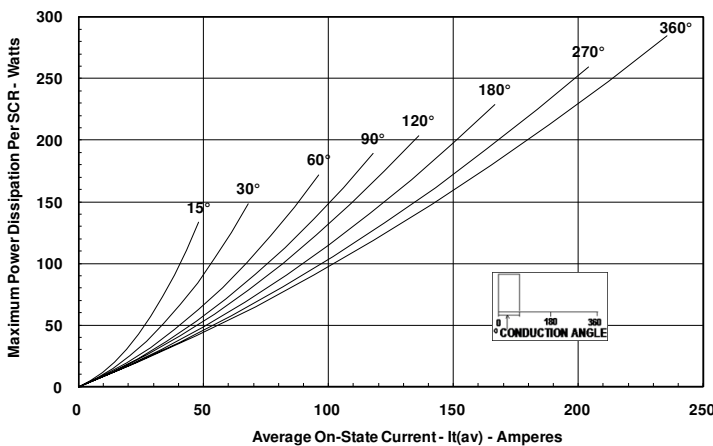
**Maximum On-State Power Dissipation**  
 (Sinusoidal Waveform)



**Maximum Allowable Case Temperature**  
 (Sinusoidal Waveform)



**Maximum On-State Power Dissipation**  
 (Rectangular Waveform)



**Maximum Allowable Case Temperature**  
 (Rectangular Waveform)

