



Chipsmall Limited consists of a professional team with an average of over 10 year of expertise in the distribution of electronic components. Based in Hongkong, we have already established firm and mutual-benefit business relationships with customers from,Europe,America and south Asia,supplying obsolete and hard-to-find components to meet their specific needs.

With the principle of “Quality Parts,Customers Priority,Honest Operation,and Considerate Service”,our business mainly focus on the distribution of electronic components. Line cards we deal with include Microchip,ALPS,ROHM,Xilinx,Pulse,ON,Everlight and Freescale. Main products comprise IC,Modules,Potentiometer,IC Socket,Relay,Connector.Our parts cover such applications as commercial,industrial, and automotives areas.

We are looking forward to setting up business relationship with you and hope to provide you with the best service and solution. Let us make a better world for our industry!



Contact us

Tel: +86-755-8981 8866 Fax: +86-755-8427 6832

Email & Skype: info@chipsmall.com Web: www.chipsmall.com

Address: A1208, Overseas Decoration Building, #122 Zhenhua RD., Futian, Shenzhen, China



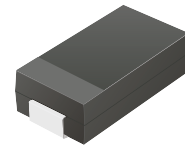
CDBA240LL-HF

Reverse Voltage: 40 Volts

Forward Current: 2 Amp

RoHS Device

Halogen free

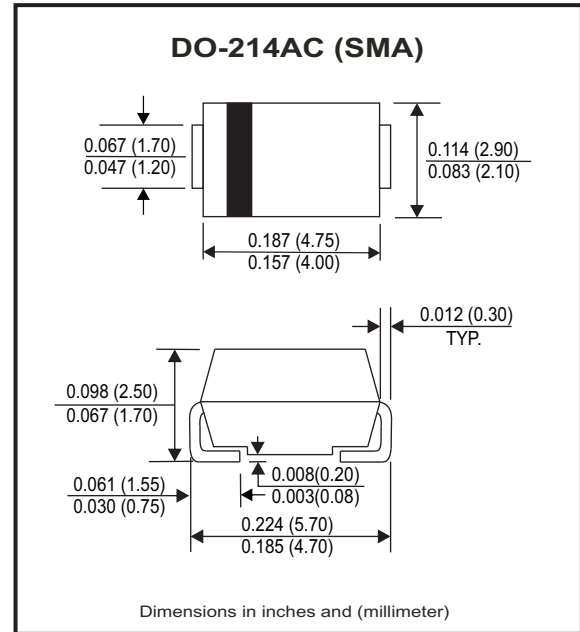


Features

- Low forward voltage drop.
- Excellent high temperature stability.
- Fast switching capability.

Mechanical data

- Epoxy: UL 94V-0 rate flame retardant.
- Case: Molded plastic, DO-214AC / SMA.
- Terminals: Solder plated, Solderable per MIL-STD-750, method 2026.
- Polarity: Indicated by cathode band.
- Mounting position: Any.
- Weight: 0.08 grams(approx).



Circuit diagram



Maximum Ratings (at TA=25°C unless otherwise noted)

Parameter	Conditions	Symbol	MIN.	TYP.	MAX.	Unit
Peak repetitive reverse voltage	I _R =1mA, T _J =25°C	V _{RRM}			40	V
Working peak reverse voltage		V _{RRM}			40	
DC blocking voltage		V _{RM}			40	
Forward rectified current		I _O			2	A
Forward surge current	8.3ms single half sine-wave superimposed on rate load (JEDEC method)	I _{FSM}			70	
Peak repetitive reverse surge current	2us - 1KHz	I _{RRM}			2	
Thermal resistance	Junction to case	R _{θJC}		40		°C/W
	Junction to ambient	R _{θJA}		70		
Operating temperature range		T _J	-55		+100	°C
Storage temperature range		T _{STG}	-55		+150	

Electrical Characteristics (at TA=25°C unless otherwise noted)

Parameter	Conditions	Symbol	MIN.	TYP.	MAX.	Unit
Forward voltage drop	I _F = 2A, T _J = 25°C	V _F		310	350	mV
Reverse current	V _R = V _{RRM} , T _J = 25°C	I _R		0.2	1	mA
	V _R = V _{RRM} , T _J = 100°C	I _R			80	

Company reserves the right to improve product design , functions and reliability without notice.

REV: D

RATING AND CHARACTERISTIC CURVES (CDBA240LL-HF)

Fig.1 - Instantaneous Forward Characteristics

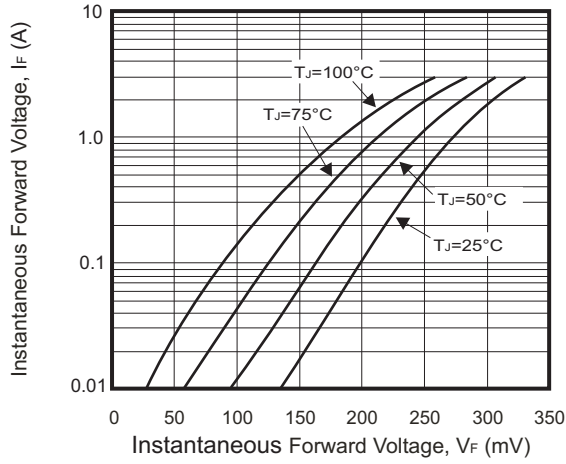


Fig.2 - Reverse Characteristics

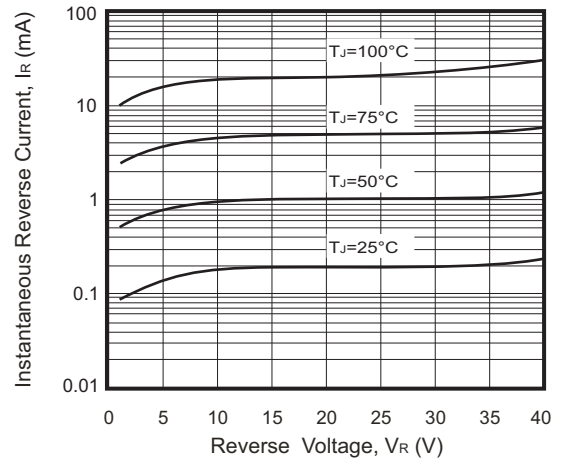


Fig.3 - Forward Power Dissipation

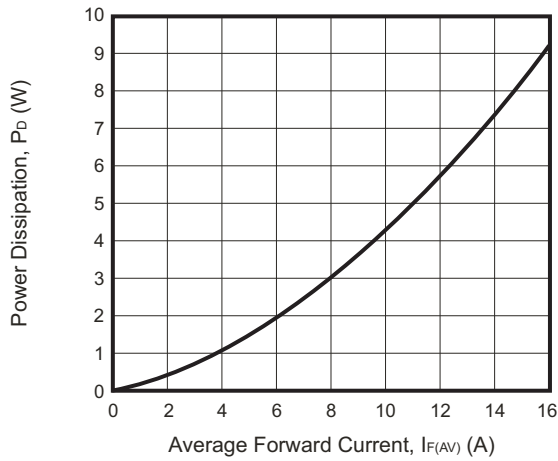


Fig.4 - Forward Current Derating Curve

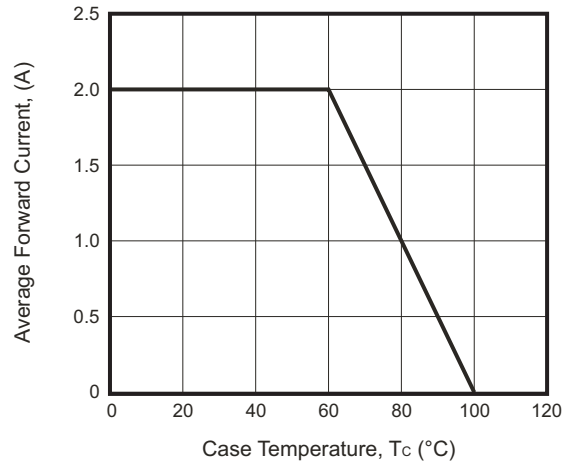
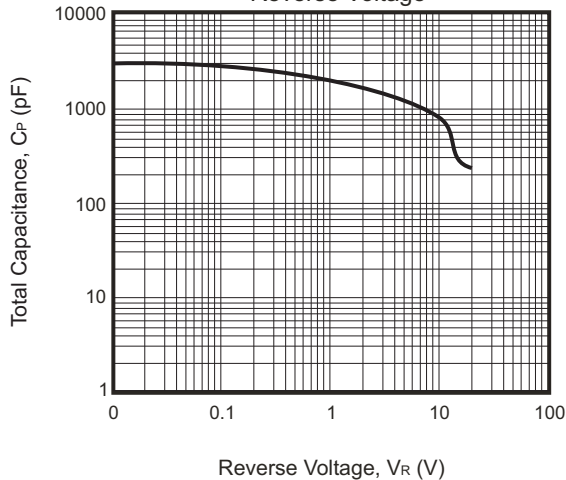
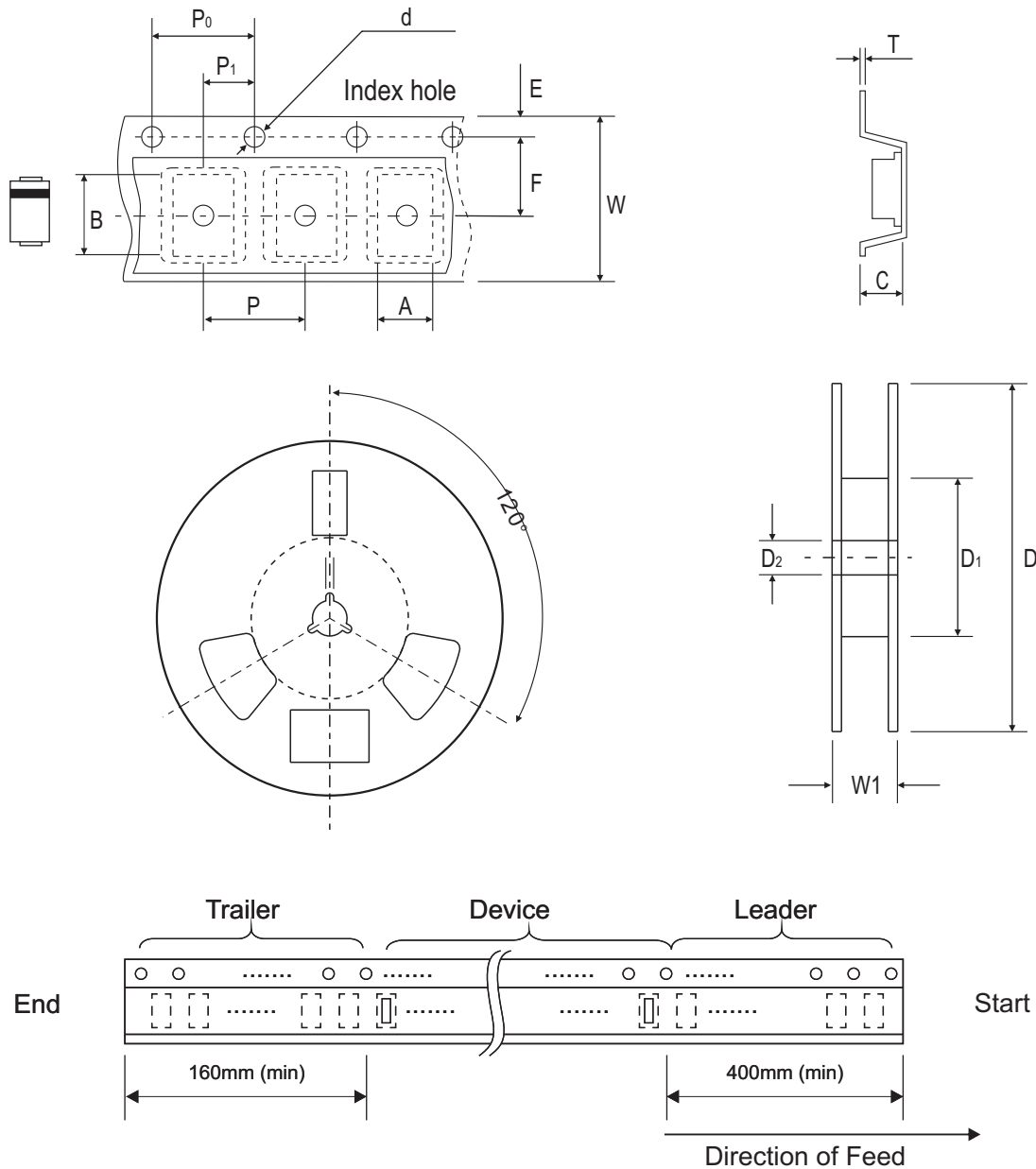


Fig.5 - Total Capacitance VS. Reverse Voltage



Reel Taping Specification



DO-214AC (SMA)	SYMBOL	A	B	C	d	D	D ₁	D ₂
	(mm)	2.70 ± 0.10	5.30 ± 0.10	2.66 ± 0.10	1.50 ± 0.10	330.00 ± 2.00	62.00 MIN.	13.50 ± 0.50
	(inch)	0.106 ± 0.004	0.209 ± 0.004	0.105 ± 0.004	0.059 ± 0.004	12.99 ± 0.079	2.441 MIN.	0.531 ± 0.020

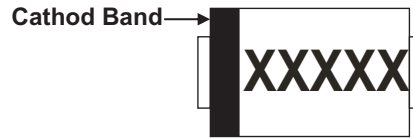
DO-214AC (SMA)	SYMBOL	E	F	P	P ₀	P ₁	T	W	W ₁
	(mm)	1.75 ± 0.10	5.50 ± 0.10	4.00 ± 0.10	4.00 ± 0.10	2.00 ± 0.10	0.60 ± 0.10	12.00 ± 0.30	18.40 ± 1.00
	(inch)	0.069 ± 0.004	0.217 ± 0.004	0.157 ± 0.004	0.157 ± 0.004	0.079 ± 0.004	0.236 ± 0.004	0.472 ± 0.012	0.724 ± 0.039

Company reserves the right to improve product design, functions and reliability without notice.

REV: D

Marking Code

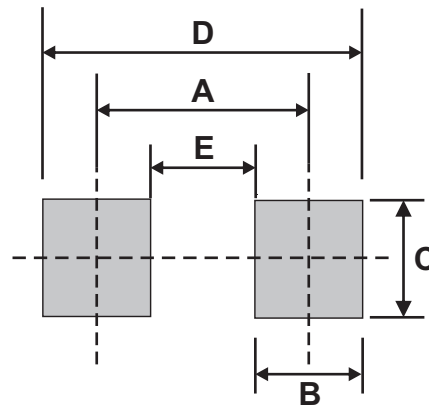
Part Number	Marking Code
CDBA240LL-HF	SLL24



XXXXX = Product type marking code

Suggested PAD Layout

SIZE	DO-214AC (SMA)	
	(mm)	(inch)
A	4.10	0.161
B	2.60	0.102
C	1.70	0.067
D	6.70	0.264
E	1.50	0.059



Standard Packaging

Case Type	REEL PACK	
	REEL (pcs)	Reel Size (inch)
DO-214AC (SMA)	5,000	13