



Chipsmall Limited consists of a professional team with an average of over 10 year of expertise in the distribution of electronic components. Based in Hongkong, we have already established firm and mutual-benefit business relationships with customers from,Europe,America and south Asia,supplying obsolete and hard-to-find components to meet their specific needs.

With the principle of "Quality Parts,Customers Priority,Honest Operation,and Considerate Service",our business mainly focus on the distribution of electronic components. Line cards we deal with include Microchip,ALPS,ROHM,Xilinx,Pulse,ON,Everlight and Freescale. Main products comprise IC,Modules,Potentiometer,IC Socket,Relay,Connector.Our parts cover such applications as commercial,industrial, and automotives areas.

We are looking forward to setting up business relationship with you and hope to provide you with the best service and solution. Let us make a better world for our industry!



Contact us

Tel: +86-755-8981 8866 Fax: +86-755-8427 6832

Email & Skype: info@chipsmall.com Web: www.chipsmall.com

Address: A1208, Overseas Decoration Building, #122 Zhenhua RD., Futian, Shenzhen, China

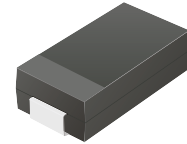


CDBC520-G Thru. CDBC5100-G

Reverse Voltage: 20 to 100 Volts

Forward Current: 5.0 Amp

RoHS Device

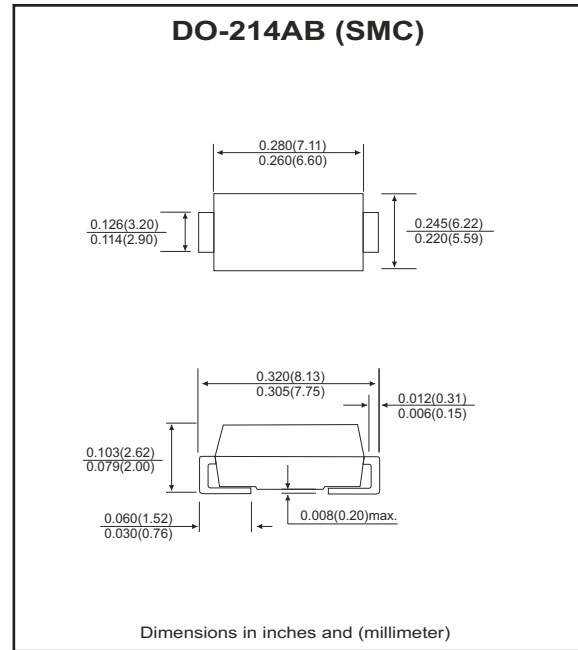


Features

- Ideal for surface mount applications.
- Easy pick and place.
- Plastic package has Underwriters Lab. flammability classification 94V-0.
- Built-in strain relief.
- Low forward voltage drop.

Mechanical data

- Case: JEDEC DO-214AB, molded plastic.
- Terminals: solderable per MIL-STD-750, method 2026.
- Polarity: Color band denotes cathode end.
- Approx. weight: 0.21 grams



Maximum Ratings and Electrical Characteristics

| Parameter | Symbol | CDBC 520-G | CDBC 540-G | CDBC 560-G | CDBC 580-G | CDBC 5100-G | Units |
|--|------------------------------------|-------------|------------|------------|------------|-------------|---------------|
| Max. repetitive peak reverse voltage | V_{RRM} | 20 | 40 | 60 | 80 | 100 | V |
| Max. DC blocking voltage | V_{DC} | 20 | 40 | 60 | 80 | 100 | V |
| Max. RMS voltage | V_{RMS} | 14 | 28 | 42 | 56 | 70 | V |
| Peak surge forward current, 8.3ms single half sine-wave superimposed on rate load (JEDEC method) | I_{FSM} | 100 | | | | | A |
| Max. average forward current | I_o | 5.0 | | | | | A |
| Max. instantaneous forward voltage at 5.0A | V_F | 0.55 | | 0.75 | | 0.85 | V |
| Max. DC reverse current at $T_A=25^{\circ}C$ rated DC blocking voltage $T_A=100^{\circ}C$ | I_R | | | 0.5 50 | | | mA |
| Max. thermal resistance (Note 1) | $R_{\theta JA}$ $R_{\theta JL}$ | | | 50 10 | | | $^{\circ}C/W$ |
| Operation Junction Temperature | T_J | -40 to +125 | | | | | $^{\circ}C$ |
| Storage temperature | T_{STG} | -65 to +150 | | | | | $^{\circ}C$ |

Notes: 1. Thermal resistance from junction to ambient and junction to lead mounted on P.C.B. with 0.2×0.2 inch copper pad area.

RATING AND CHARACTERISTIC CURVES (CDBC520-G thru CDBC5100-G)

Fig.1 Reverse Characteristics

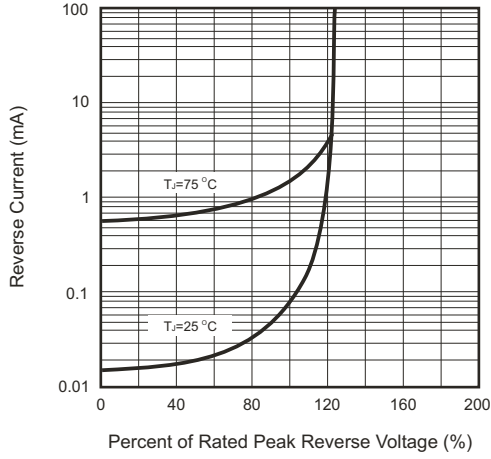


Fig.2 Forward Characteristics

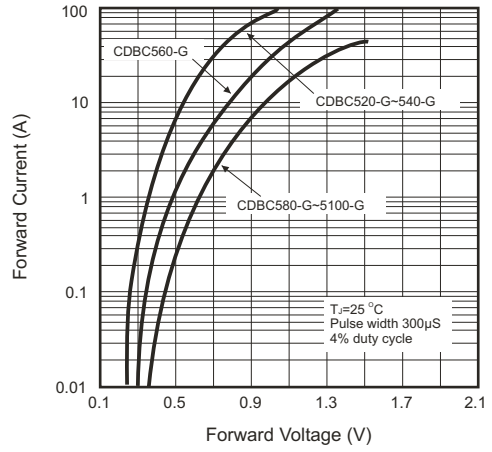


Fig.3 Junction Capacitance

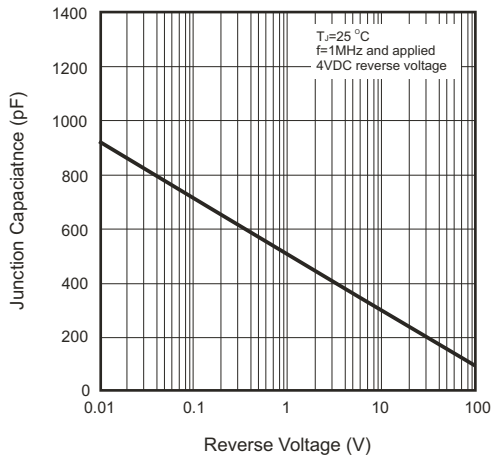


Fig.4 Current Derating Curve

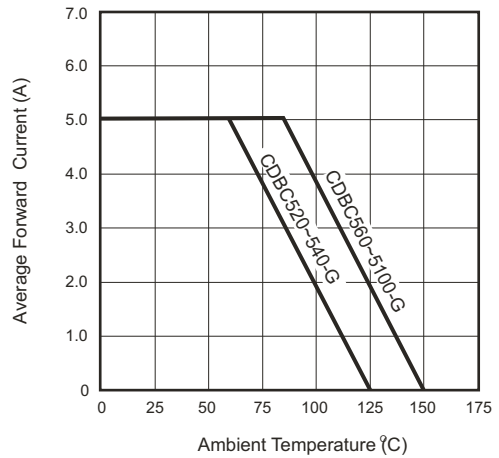
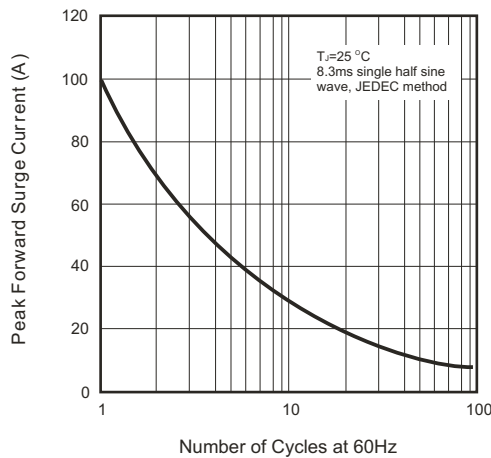
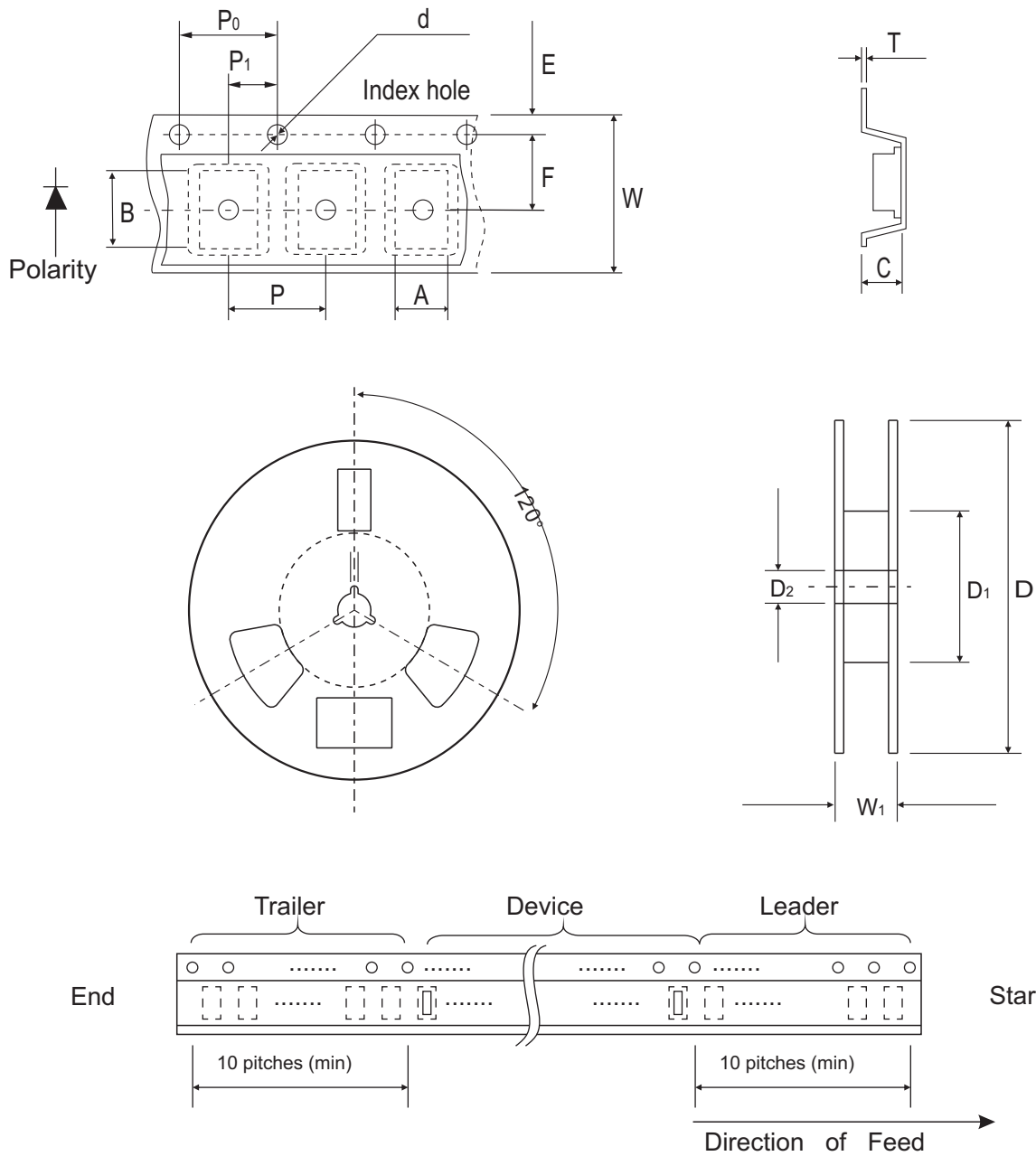


Fig.5 Non-repetitive Forward Surge Current



Reel Taping Specification

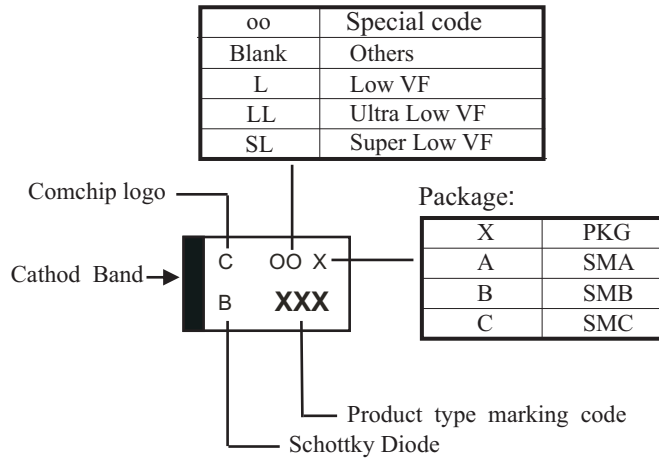


| SMC (DO-214AB) | SYMBOL | A | B | C | d | D | D1 | D2 |
|-------------------|--------|-------------|-------------|-------------|---------------|-------|------------|---------------|
| | (mm) | 6.30 (max) | 8.60 (max) | 2.90 (max) | 1.50 ± 0.10 | 330 | 50.0 MIN. | 13.5 ± 1.00 |
| | (inch) | 0.248 (max) | 0.339 (max) | 0.114 (max) | 0.059 ± 0.004 | 12.99 | 1.969 MIN. | 0.531 ± 0.039 |

| SMC (DO-214AB) | SYMBOL | E | F | P | P0 | P1 | W | W1 |
|-------------------|--------|---------------|---------------|---------------|---------------|---------------|---------------|-------------|
| | (mm) | 1.75 ± 0.10 | 7.50 ± 0.05 | 8.00 ± 0.10 | 4.00 ± 0.10 | 2.00 ± 0.05 | 16.0 ± 0.20 | 22.4 (max) |
| | (inch) | 0.689 ± 0.004 | 0.295 ± 0.002 | 0.315 ± 0.004 | 0.157 ± 0.004 | 0.079 ± 0.002 | 0.630 ± 0.008 | 0.882 (max) |

Marking Code

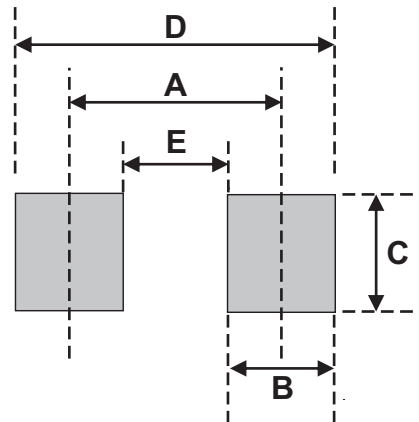
| Part Number | Marking Code |
|-------------|--------------|
| CDBC520-G | 520 |
| CDBC540-G | 540 |
| CDBC560-G | 560 |
| CDBC580-G | 580 |
| CDBC5100-G | 5100 |



xxx/xxxx = Product type marking code

Suggested PAD Layout

| SIZE | DO-214AB(SMC) | |
|------|---------------|--------|
| | (mm) | (inch) |
| A | 6.20 | 0.244 |
| B | 1.60 | 0.063 |
| C | 4.80 | 0.189 |
| D | 7.80 | 0.307 |
| E | 4.60 | 0.181 |



Standard Packaging

| Case Type | REEL PACK | |
|-------------------|-----------------|---------------------|
| | REEL (pcs) | Reel Size (inch) |
| DO-214AB (SMC) | 3,000 | 13 |