



Chipsmall Limited consists of a professional team with an average of over 10 year of expertise in the distribution of electronic components. Based in Hongkong, we have already established firm and mutual-benefit business relationships with customers from,Europe,America and south Asia,supplying obsolete and hard-to-find components to meet their specific needs.

With the principle of “Quality Parts,Customers Priority,Honest Operation,and Considerate Service”,our business mainly focus on the distribution of electronic components. Line cards we deal with include Microchip,ALPS,ROHM,Xilinx,Pulse,ON,Everlight and Freescale. Main products comprise IC,Modules,Potentiometer,IC Socket,Relay,Connector.Our parts cover such applications as commercial,industrial, and automotives areas.

We are looking forward to setting up business relationship with you and hope to provide you with the best service and solution. Let us make a better world for our industry!



## Contact us

Tel: +86-755-8981 8866 Fax: +86-755-8427 6832

Email & Skype: info@chipsmall.com Web: www.chipsmall.com

Address: A1208, Overseas Decoration Building, #122 Zhenhua RD., Futian, Shenzhen, China



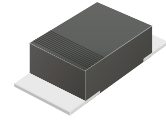
## CDBM240-HF Thru CDBM2200-HF

Reverse Voltage: 40 to 200 Volts

Forward Current: 2.0 Amp

RoHS Device

Halogen free

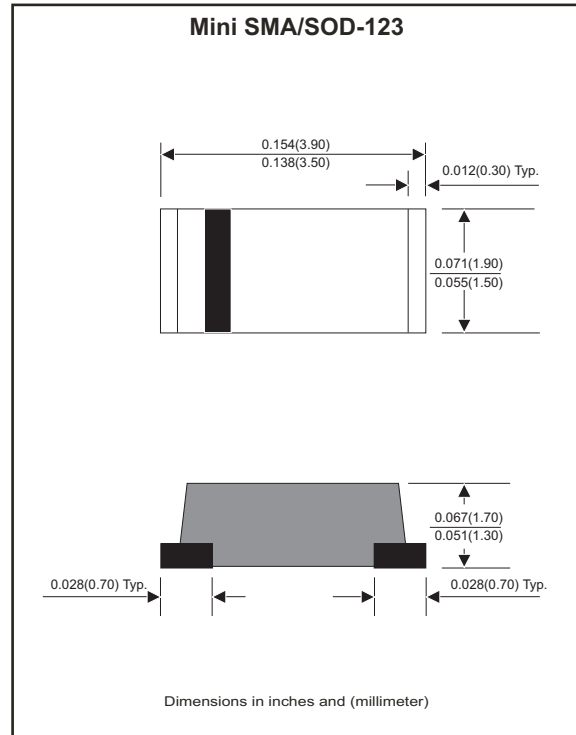


### Features

- Batch process design, excellent power dissipation offers better reverse leakage current and thermal resistance.
- Low profile surface mounted application in order to optimize board space.
- Tiny plastic SMD package.
- Low power loss, high efficiency.
- High current capability, low forward voltage drop.
- High surge capability.
- Guardring for overvoltage protection.
- Ultra high-speed switching.
- Silicon epitaxial planar chip, metal silicon junction.
- Lead-free parts meet environmental standards of MIL-STD-19500 /228

### Mechanical data

- Epoxy: UL94-V0 rated flame retardant.
- Case: Molded plastic, JEDEC Mini SMA/SOD-123.
- Terminals: Solde plated, solderable per MIL-STD-750, method 2026.
- Polarity: Indicated by cathode band.
- Mounting position: Any
- Weight:0.018 gram(approx.).



### Maximum Ratings (at TA=25°C unless otherwise noted)

Parameter	Symbol	CDBM 240-HF	CDBM 260-HF	CDBM 2100-HF	CDBM 2150-HF	CDBM 2200-HF	Unit
Repetitive peak reverse voltage	V <sub>RRM</sub>	40	60	100	150	200	V
Maximum RMS voltage	V <sub>RMS</sub>	28	42	70	105	140	V
Continuous reverse voltage	V <sub>R</sub>	40	60	100	150	200	V
Forward voltage @I <sub>F</sub> =2.0A	V <sub>F</sub>	0.50	0.70	0.85	0.90	0.92	V
Forward rectified current	I <sub>O</sub>	2.0					A
Forward surge current, 8.3ms half sine wave superimposed on rated load (JEDEC method)	I <sub>FSM</sub>	50					A
Reverse current on V <sub>R</sub> =V <sub>RRM</sub> @T <sub>A</sub> =25°C @T <sub>A</sub> =100°C	I <sub>R</sub>	0.5 10					mA
Typ. thermal resistance, junction to ambient air	R <sub>θJA</sub>	85					°C/W
Typ. diode junction capacitance (Note 1)	C <sub>J</sub>	160					pF
Operating junction temperature	T <sub>J</sub>	-55 to +125		-55 to +150			°C
Storage temperature	T <sub>STG</sub>	-65 to +175					°C

Note 1: f=1MHz and applied 4V DC reverse voltage.

Company reserves the right to improve product design, functions and reliability without notice.

REV:B

## Rating and Characteristic Curves (CDBM240-HF Thru CDBM2200-HF)

Fig.1-Typical forward current current derating curve

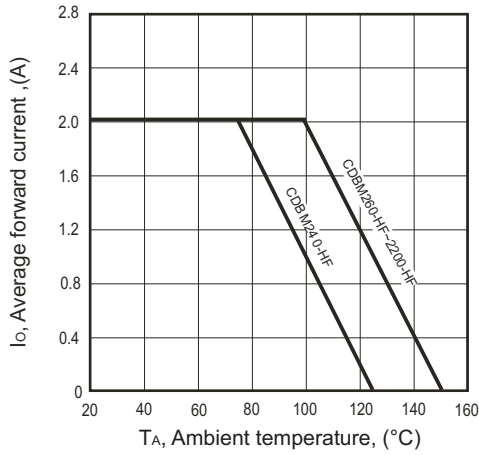


Fig.2-Typical forward characteristics

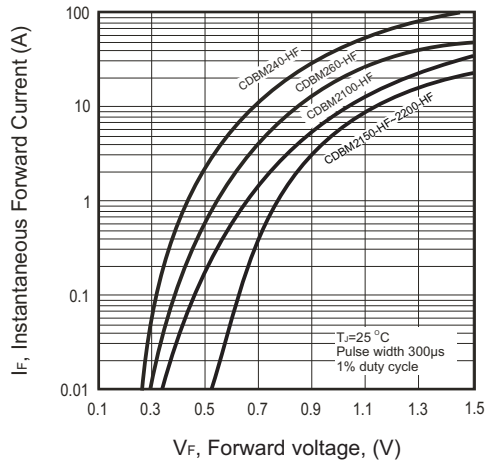


Fig.3 - Maximum non-repetitive forward surge current

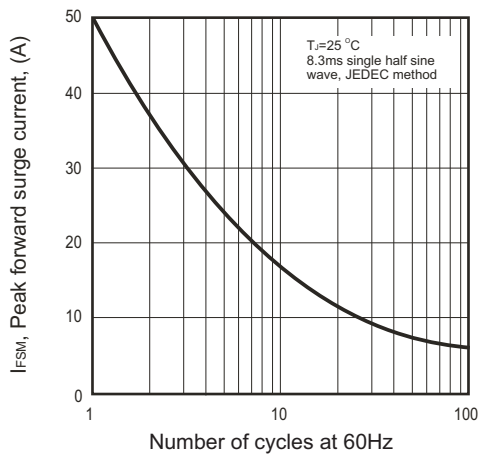


Fig.4-Typical junction capacitance

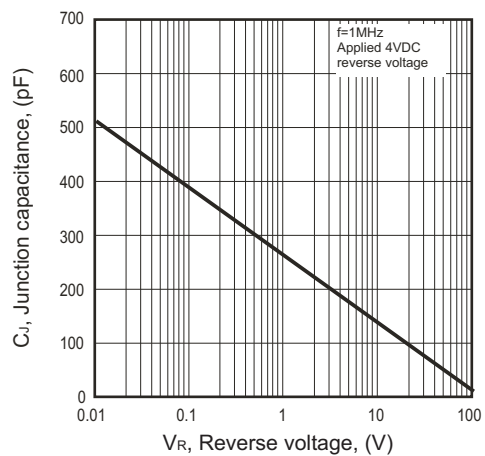
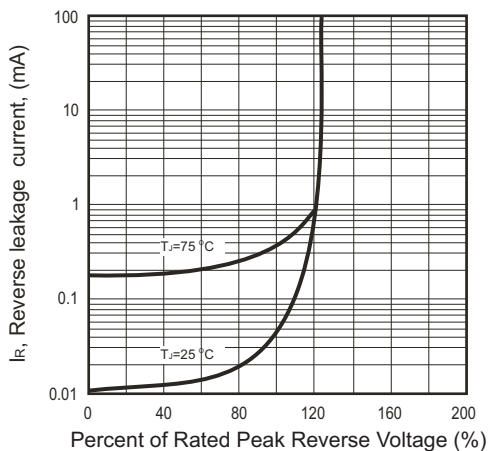
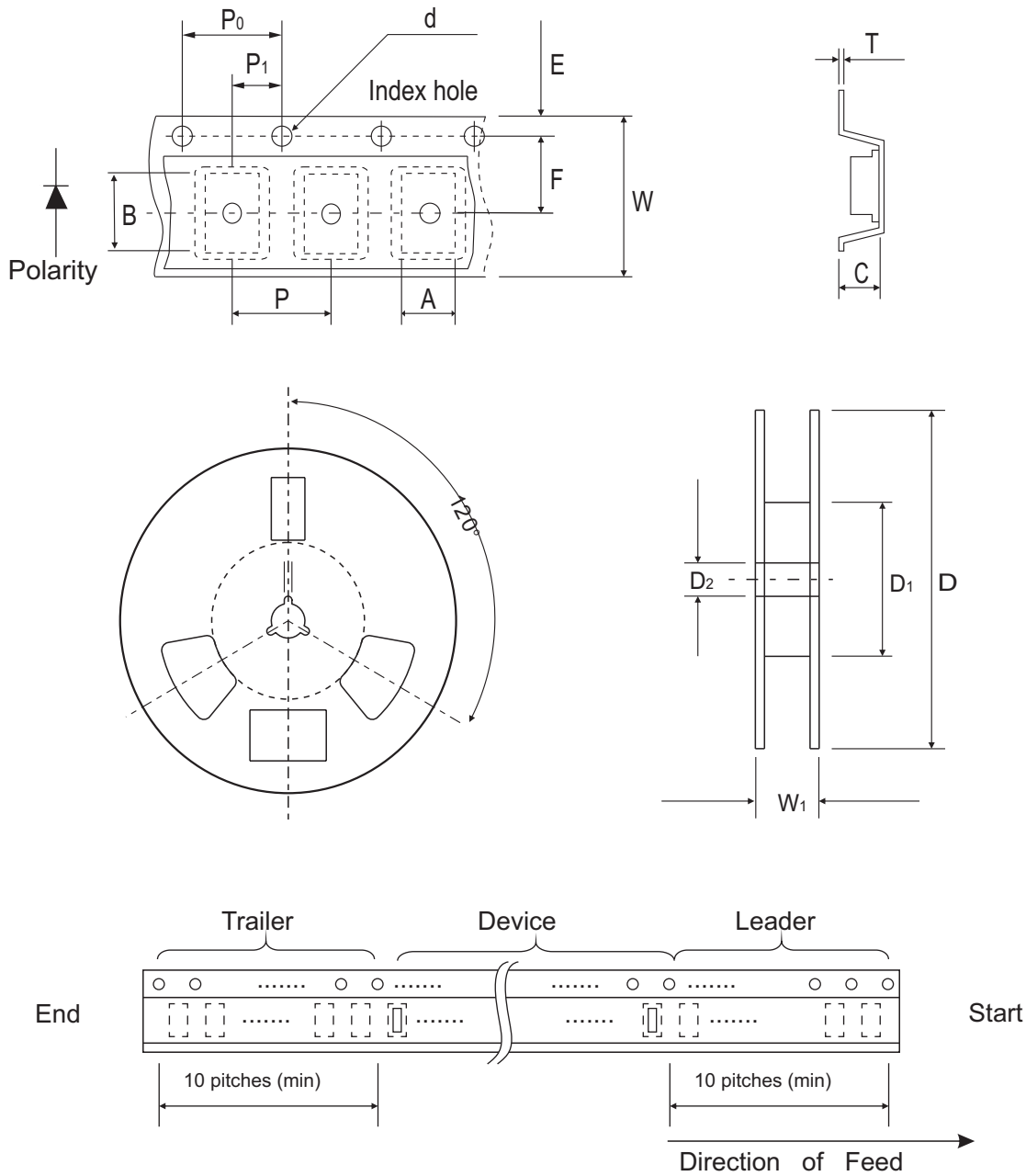


Fig.5 - Typical reverse characteristics



## Reel Taping Specification



	SYMBOL	A	B	C	d	D	D1	D2
Mini-SMA/SOD-123	(mm)	1.90 ± 0.10	3.90 ± 0.10	1.68 ± 0.10	1.50 ± 0.10	178 ± 2.00	62.0 MIN.	13.0 ± 0.50
	(inch)	0.075 ± 0.04	0.153 ± 0.04	0.066 ± 0.04	0.059 ± 0.004	7.00 ± 0.079	2.440 MIN.	0.512 ± 0.020

	SYMBOL	E	F	P	P0	P1	T	W	W1
Mini-SMA/SOD-123	(mm)	1.75 ± 0.10	3.50 ± 0.10	4.00 ± 0.10	4.00 ± 0.10	2.00 ± 0.10	0.23 ± 0.10	8.00 ± 0.30	14.4 ± 0.10
	(inch)	0.069 ± 0.004	0.138 ± 0.004	0.157 ± 0.004	0.157 ± 0.004	0.079 ± 0.004	0.009 ± 0.004	0.315 ± 0.011	0.567 ± 0.004

## Marking Code

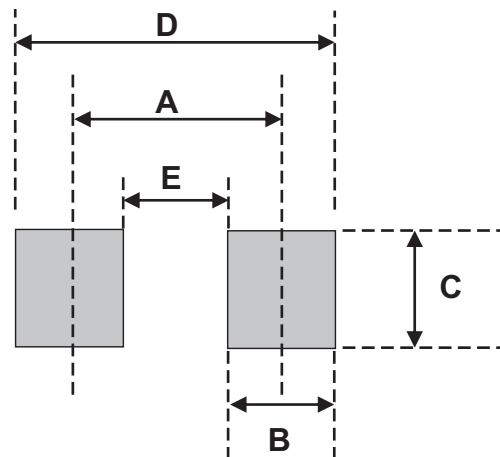
Part Number	Marking Code
CDBM240-HF	24
CDBM260-HF	26
CDBM2100-HF	20
CDBM2150-HF	215
CDBM2200-HF	220



xx/xxx = Product type marking code

## Suggested PAD Layout

SIZE	Mini-SMA/SOD-123	
	(mm)	(inch)
A	3.30	0.130
B	1.40	0.055
C	1.90	0.075
D	4.70	0.185
E	1.90	0.075



## Standard Packaging

Case Type	REEL PACK	
	REEL ( pcs )	Reel Size (inch)
Mini-SMA /SOD-123	2,500	7