



Chipsmall Limited consists of a professional team with an average of over 10 year of expertise in the distribution of electronic components. Based in Hongkong, we have already established firm and mutual-benefit business relationships with customers from,Europe,America and south Asia,supplying obsolete and hard-to-find components to meet their specific needs.

With the principle of “Quality Parts,Customers Priority,Honest Operation,and Considerate Service”,our business mainly focus on the distribution of electronic components. Line cards we deal with include Microchip,ALPS,ROHM,Xilinx,Pulse,ON,Everlight and Freescale. Main products comprise IC,Modules,Potentiometer,IC Socket,Relay,Connector.Our parts cover such applications as commercial,industrial, and automotives areas.

We are looking forward to setting up business relationship with you and hope to provide you with the best service and solution. Let us make a better world for our industry!



Contact us

Tel: +86-755-8981 8866 Fax: +86-755-8427 6832

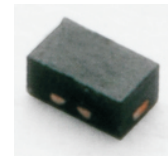
Email & Skype: info@chipsmall.com Web: www.chipsmall.com

Address: A1208, Overseas Decoration Building, #122 Zhenhua RD., Futian, Shenzhen, China



CDBZ0130L-HF

$I_o = 100 \text{ mA}$
 $V_R = 30 \text{ Volts}$
 RoHS Device
 Halogen Free



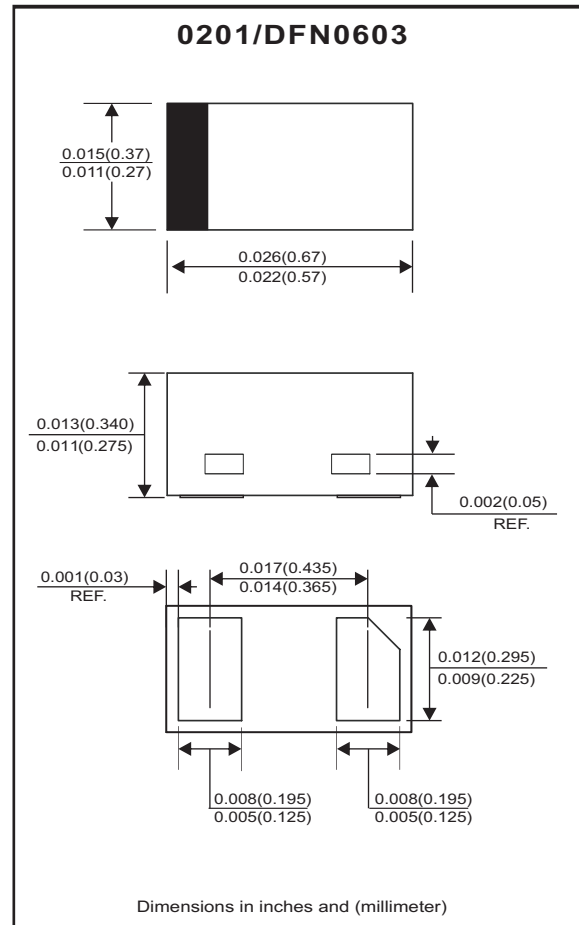
Features

- Low forward voltage.
- Ultra small mold type.

Mechanical data

- Case: 0201/DFN0603 package, molded plastic.
- Terminals: Gold plated, solderable per MIL-STD-750, method 2026.
- Polarity: Color band denotes cathode end.
- Mounting position: Any

Circuit diagram



Maximum Rating (at TA=25 °C unless otherwise noted)

| Parameter | Conditions | Symbol | Min | Typ | Max | Unit |
|---|--|-----------|-----|-----|------|------|
| Reverse voltage | | V_R | | | 30 | V |
| Average rectified forward current | | I_o | | | 100 | mA |
| Forward current, surge peak (60Hz*1cycle) | 8.3 ms single half sine-wave superimposed on rate load(JEDEC method) | I_{FSM} | | | 500 | mA |
| Junction temperature | | T_J | -40 | | +125 | °C |
| Storage temperature | | T_{STG} | -40 | | +125 | °C |

Electrical Characteristics (at TA=25 °C unless otherwise noted)

| Parameter | Conditions | Symbol | Min | Typ | Max | Unit |
|-----------------|-----------------------|--------|-----|-----|------|------|
| Forward voltage | $I_F = 10 \text{ mA}$ | V_F | | | 0.37 | V |
| Reverse current | $V_R = 10 \text{ V}$ | I_R | | | 7 | μA |

RATING AND CHARACTERISTIC CURVES (CDBZ0130L-HF)

Fig.1 - Forward Characteristics

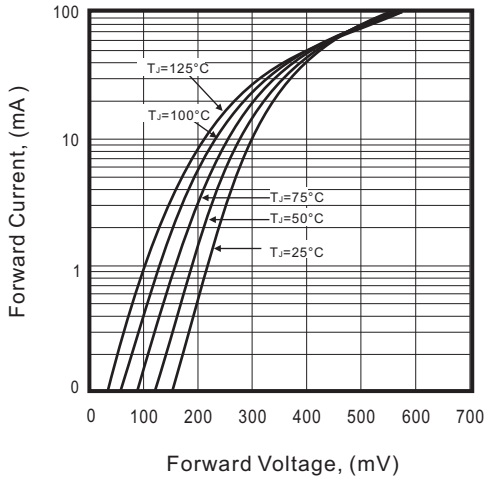


Fig.2 - Reverse Characteristics

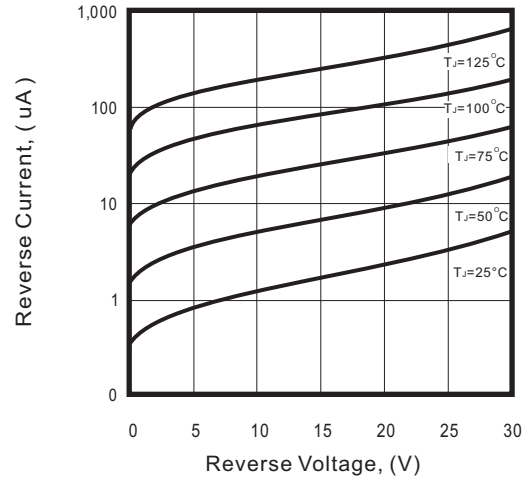


Fig.3 - Capacitance Between Terminals Characteristics

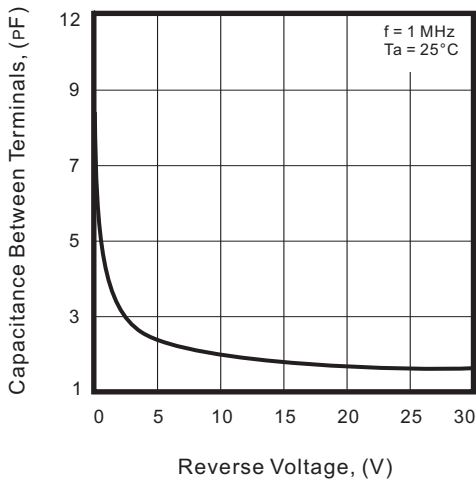
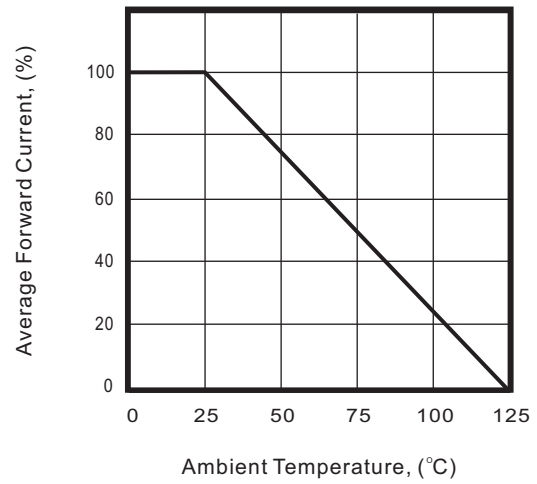
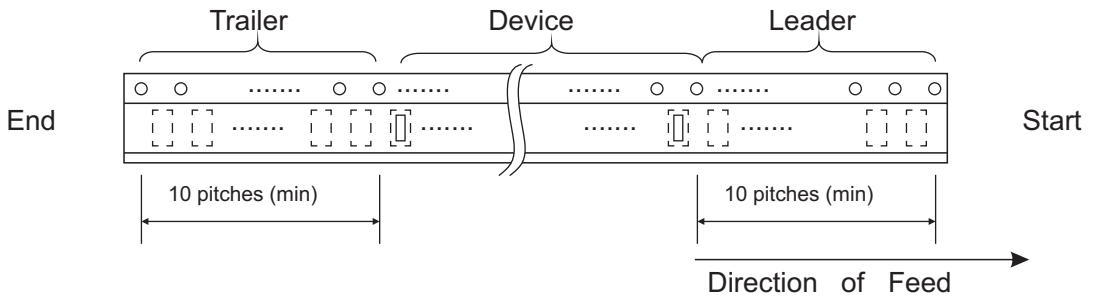
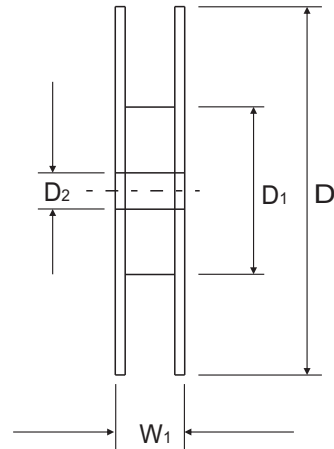
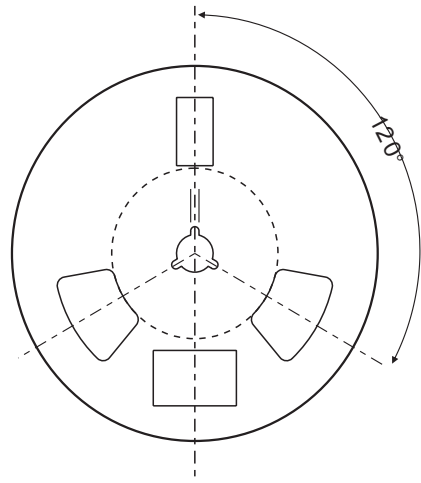
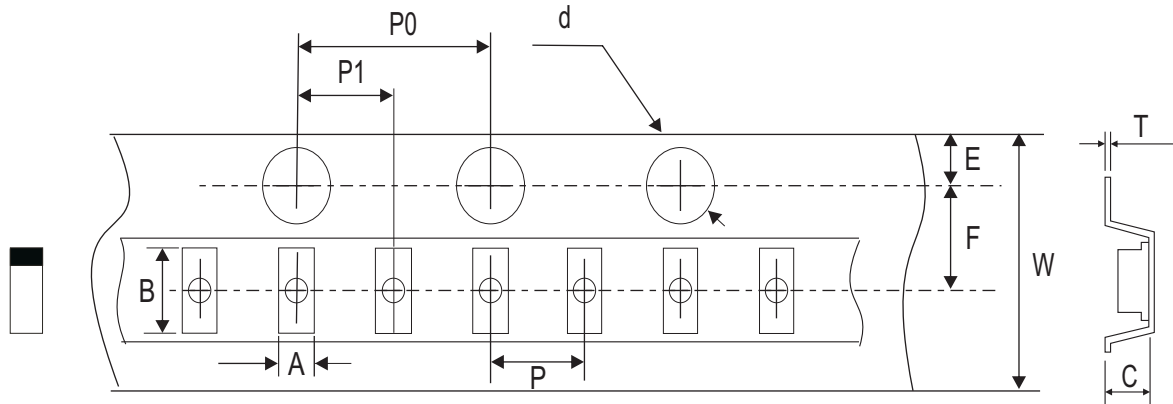


Fig.4 - Current Derating Curve



Reel Taping Specification



| 0201 (DFN0603) | SYMBOL | A | B | C | d | D | D ₁ | D ₂ |
|-------------------|--------|--------------------|---------------|---------------|---------------|---------------|----------------|----------------|
| | (mm) | 0.39 +0.03/-0.02 | 0.72 ± 0.03 | 0.36 ± 0.03 | 1.50 + 0.10 | 178 ± 1.00 | 54.4 ± 0.40 | 13.0 ± 0.20 |
| | (inch) | 0.015 +0.001/0.001 | 0.028 ± 0.001 | 0.014 ± 0.001 | 0.059 + 0.004 | 7.008 ± 0.039 | 2.142 ± 0.016 | 0.512 ± 0.008 |

| 0201 (DFN0603) | SYMBOL | E | F | P | P ₀ | P ₁ | T | W | W ₁ |
|-------------------|--------|---------------|---------------|---------------|----------------|----------------|---------------|---------------|----------------|
| | (mm) | 1.75 ± 0.10 | 3.50 ± 0.05 | 2.00 ± 0.05 | 4.00 ± 0.05 | 2.00 ± 0.05 | 0.23 ± 0.05 | 8.00 ± 0.10 | 12.30 ± 0.10 |
| | (inch) | 0.069 ± 0.004 | 0.138 ± 0.002 | 0.079 ± 0.004 | 0.157 ± 0.004 | 0.079 ± 0.004 | 0.009 ± 0.002 | 0.315 ± 0.008 | 0.484 ± 0.004 |

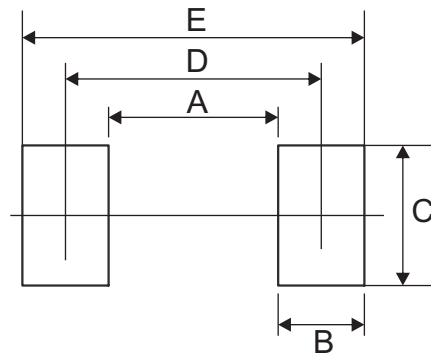
Marking Code

| Part Number | Marking Code |
|--------------|--------------|
| CDBZ0130L-HF | L |



Suggested PAD Layout

| SIZE | 0201(DFN0603) | |
|------|---------------|--------|
| | (mm) | (inch) |
| A | 0.16 | 0.006 |
| B | 0.24 | 0.009 |
| C | 0.34 | 0.013 |
| D | 0.40 | 0.016 |
| E | 0.64 | 0.025 |



Standard Packaging

| Case Type | Qty Per Reel | Reel Size |
|---------------|--------------|-----------|
| | (Pcs) | (inch) |
| 0201(DFN0603) | 10,000 | 7 |