



Chipsmall Limited consists of a professional team with an average of over 10 year of expertise in the distribution of electronic components. Based in Hongkong, we have already established firm and mutual-benefit business relationships with customers from,Europe,America and south Asia,supplying obsolete and hard-to-find components to meet their specific needs.

With the principle of "Quality Parts,Customers Priority,Honest Operation,and Considerate Service",our business mainly focus on the distribution of electronic components. Line cards we deal with include Microchip,ALPS,ROHM,Xilinx,Pulse,ON,Everlight and Freescale. Main products comprise IC,Modules,Potentiometer,IC Socket,Relay,Connector.Our parts cover such applications as commercial,industrial, and automotives areas.

We are looking forward to setting up business relationship with you and hope to provide you with the best service and solution. Let us make a better world for our industry!



Contact us

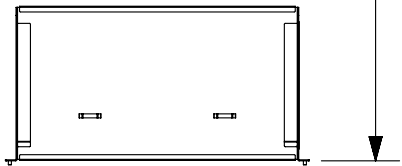
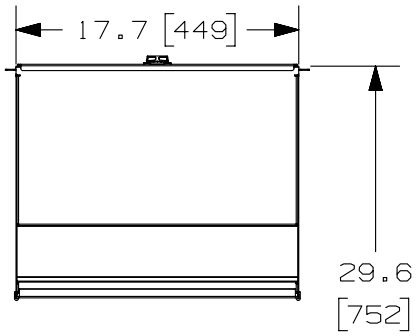
Tel: +86-755-8981 8866 Fax: +86-755-8427 6832

Email & Skype: info@chipsmall.com Web: www.chipsmall.com

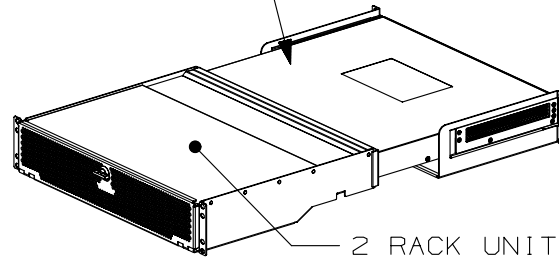
Address: A1208, Overseas Decoration Building, #122 Zhenhua RD., Futian, Shenzhen, China



THIS COPY IS PROVIDED ON A RESTRICTED BASIS AND IS NOT TO BE USED IN ANY WAY DETRIMENTAL TO THE INTERESTS OF PANDUIT CORP.



CISCO MODULAR ToR SWITCH (REFERENCE) SWITCH EXHAUST

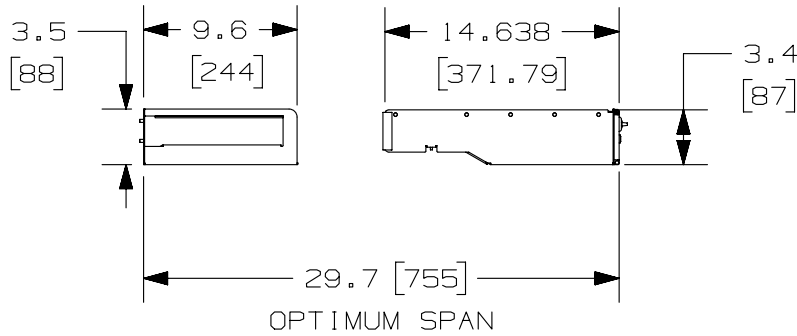
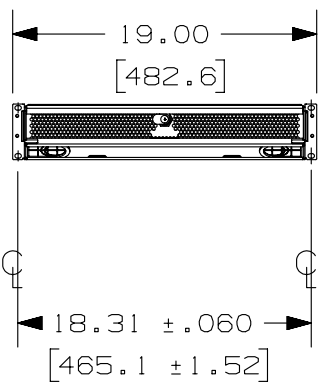


2 RACK UNIT INLET DUCT ASSEMBLY WITH INTEGRATED PERFORATION

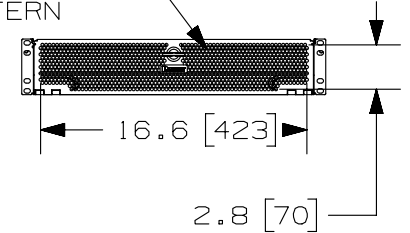
PANDUIT PART NO.	WEIGHT
CDE2	16.5 LBS/EACH 7.5 kg/EACH

NOTES:

1. DIMENSIONS IN PARENTHESIS ARE METRIC (mm).
2. PARTS SUPPLIED:
1- INLET DUCT ASSEMBLY
1- MOUNTING HARDWARE KIT
3. SUPPORT RAILS ADJUST FROM 24.0" TO 30.0" DEPTH.



63% OPEN PERFORATION PATTERN

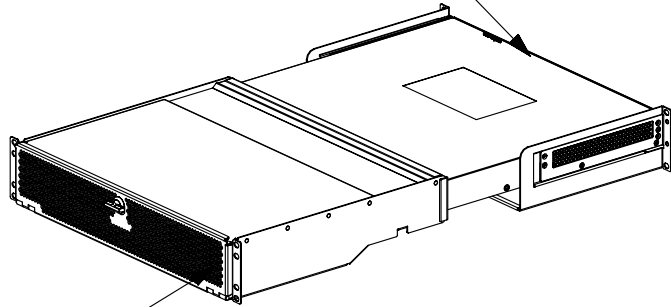


REV	DATE	BY	CHK	APR	DESCRIPTION	ECN
05A	10/09/13	ERK	MWL		RELEASED	09V131AQ

TITLE		MODULAR ToR SWITCH INLET DUCT (CDE2)	
		CUSTOMER DRAWING	
ITEM REVISION NAME		09V131AQ/05	
DATASET FILE NAME		09V131AQ_DC/05A	
MATERIAL:		N/A	
DRAWING NUMBER:		09V131AQ	
DRAWN BY	DATE	CHK	SCALE
MRWA	07/27/10	MWL	N/A
SHT 1 OF 2		SIZE A	

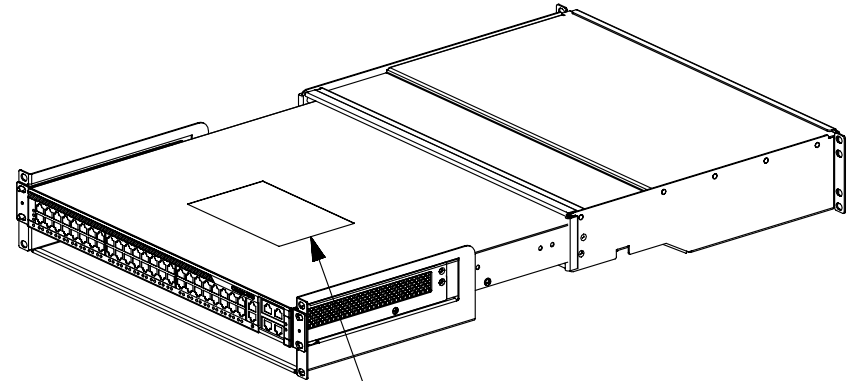
D10100DA/16

EXHAUST OF
CISCO MODULAR
ToR SWITCH
(REFERENCE)
(FACES HOT AISLE)




2 RU INLET
DUCTING WITH
INTEGRATED
PERFORATION

FRONT OF CABINET
(FACES COLD AISLE)



CISCO MODULAR ToR SWITCH
(REFERENCE)
(FACES HOT AISLE)

REAR OF CABINET
(FACES HOT AISLE)

REV	DATE	BY	CHK	APR	DESCRIPTION	ECN	TITLE				DRAWING NUMBER:			
							MODULAR ToR SWITCH INLET DUCT (CDE2) CUSTOMER DRAWING				 N/A			
						ITEM REVISION NAME							09V131AQ/05	
						DATASET FILE NAME							09V131AQ_DC/05A	
05A	10/09/13	ERK			RELEASED	09V131AQ								
							DRAWN BY	DATE	CHK	SCALE	SHT 2 OF 2			
							MRWA	07/27/10		N/A	A			