



Chipsmall Limited consists of a professional team with an average of over 10 year of expertise in the distribution of electronic components. Based in Hongkong, we have already established firm and mutual-benefit business relationships with customers from,Europe,America and south Asia,supplying obsolete and hard-to-find components to meet their specific needs.

With the principle of “Quality Parts,Customers Priority,Honest Operation,and Considerate Service”,our business mainly focus on the distribution of electronic components. Line cards we deal with include Microchip,ALPS,ROHM,Xilinx,Pulse,ON,Everlight and Freescale. Main products comprise IC,Modules,Potentiometer,IC Socket,Relay,Connector.Our parts cover such applications as commercial,industrial, and automotives areas.

We are looking forward to setting up business relationship with you and hope to provide you with the best service and solution. Let us make a better world for our industry!



## Contact us

Tel: +86-755-8981 8866 Fax: +86-755-8427 6832

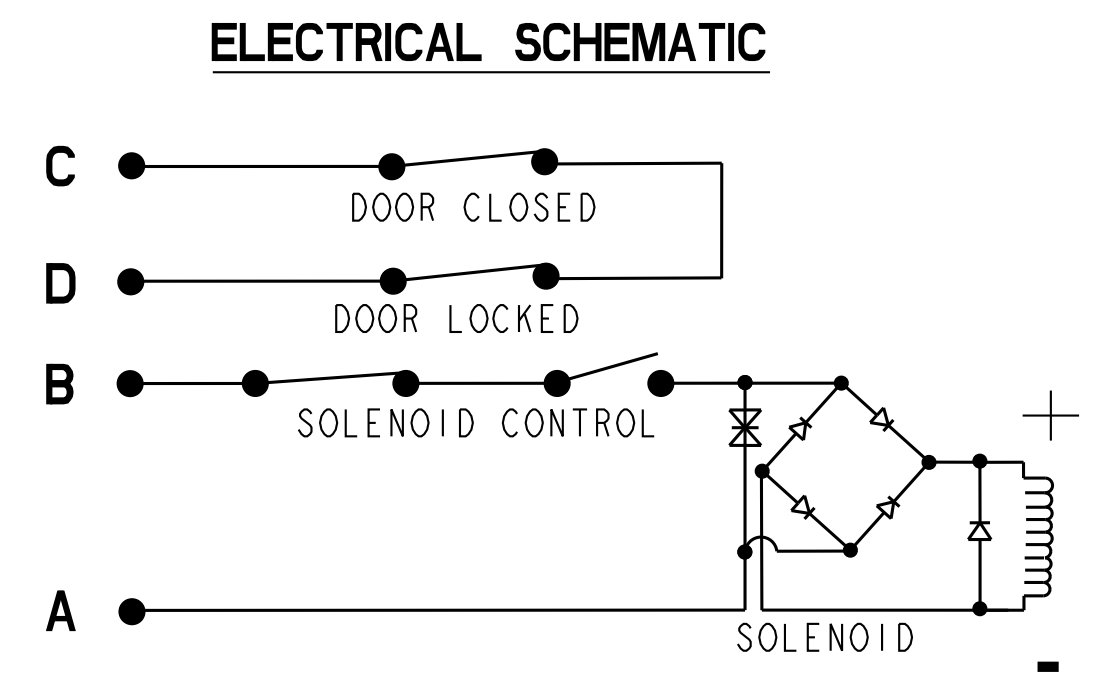
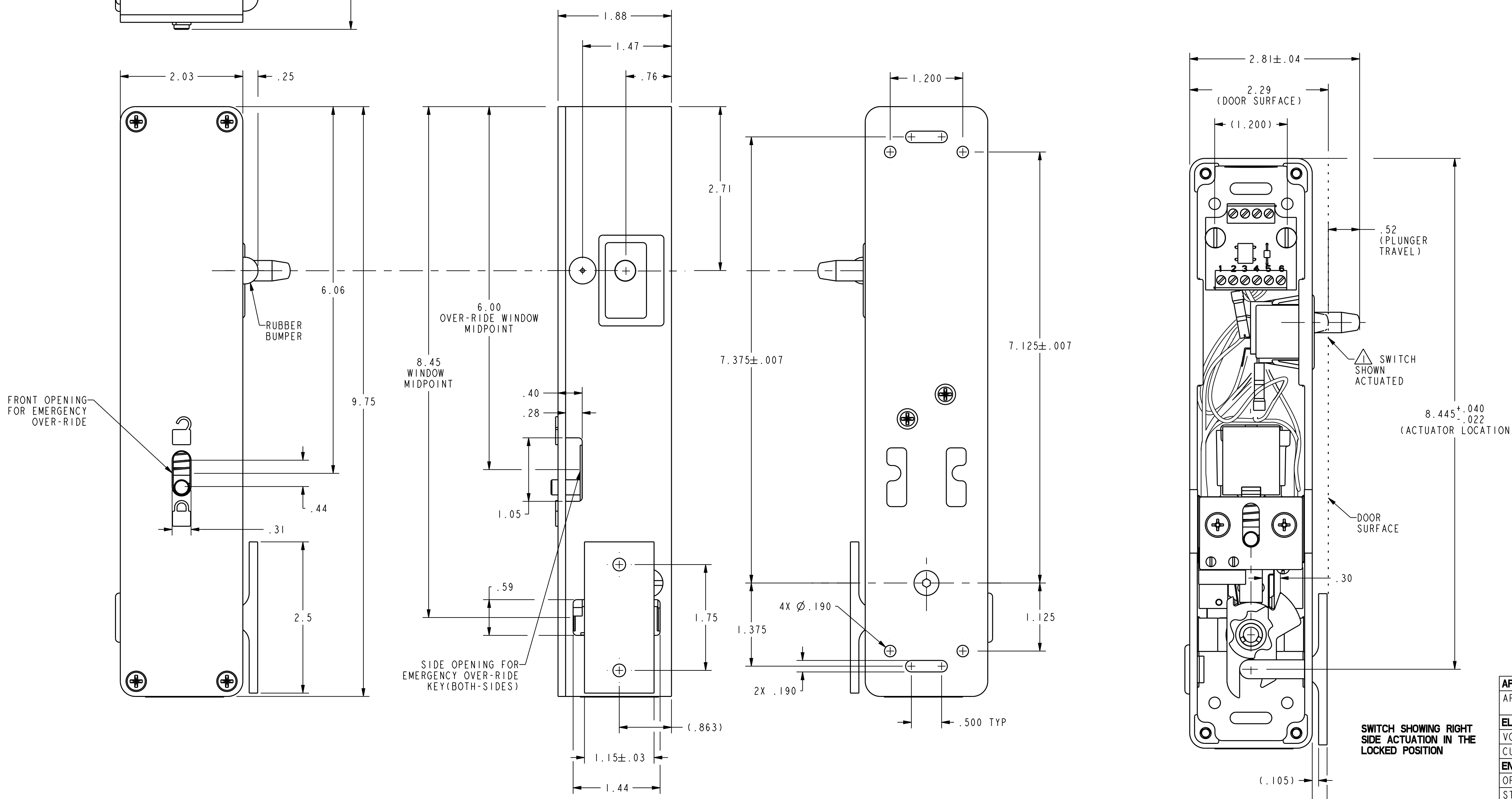
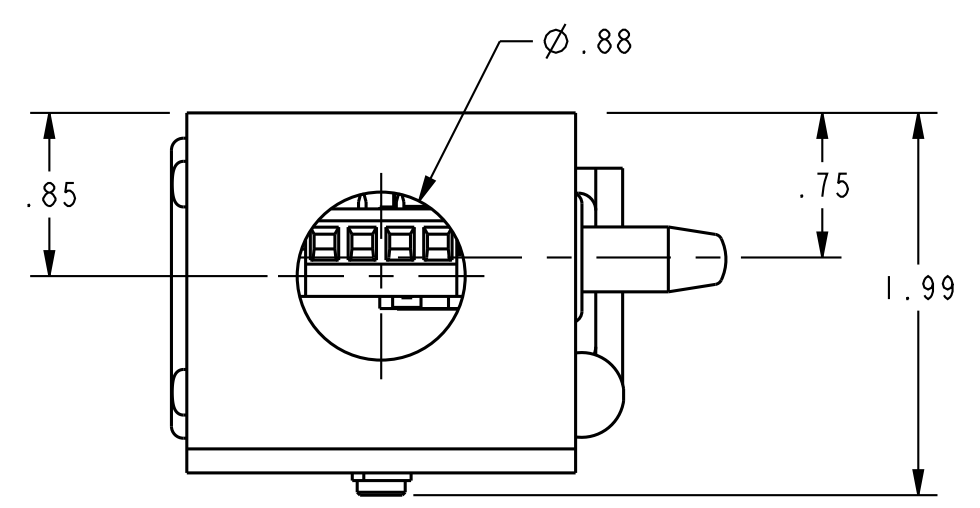
Email & Skype: info@chipsmall.com Web: www.chipsmall.com

Address: A1208, Overseas Decoration Building, #122 Zhenhua RD., Futian, Shenzhen, China



PART NUMBER  
CDIRBSIW

REVISION HISTORY					
REV	DOCUMENT	DESCRIPTION	CHG'D BY	DATE	APPROVED
A	0075412	RELEASE PER ECO	NMN	2012-12-12	K. BALAJI



APPROVALS	
APPROVALS COVERAGE	UL104/ASME17.1/CSA B44.1 FOR COMMERCIAL USE
ELECTRICAL RATINGS	
VOLTAGE	24 VAC    24 VDC
CURRENT	0.35A, 60Hz    0.2A
ENVIRONMENTAL	
OPERATING TEMPERATURE	+4° TO +38°C (+40° TO +100°F)
STORAGE TEMPERATURE	-40° TO 60° C (-40° TO +140°F)
MATERIAL OF CONSTRUCTION	
ACTUATOR KEY	INVESTMENT CAST STAINLESS STEEL WITH POWDER COAT FINISH WHITE COLOR
CAM	INVESTMENT CAST STAINLESS STEEL
COVER	DIE CAST ZINC WITH POWDER COAT FINISH WHITE COLOR
HOUSING	DIE CAST ZINC WITH POWDER COAT FINISH WHITE COLOR

UNLESS OTHERWISE SPECIFIED DIMENSIONS ARE IN INCHES DECIMAL TOL NO PLACE --- ±.400 1 PLACE --- ±.030 2 PLACE --- ±.010 3 PLACE --- ±.005 ANGULAR TOL - ±2° CHAMFER - ±3°	<b>THIRD ANGLE PROJECTION</b> 	<b>Honeywell</b>										
		<b>SWITCH ASSEMBLY</b>										
MATERIAL	-	SIZE	D	CAGE CODE	-	DWG NO	CDIRBSIW	TYPE	I	REV	A	
FINISH	-	SCALE	1:1	REF WT:	-	SHEET	1 of 1	<b>HONEYWELL CONFIDENTIAL</b> <small>THIS DOCUMENT CONTAINS PROPRIETARY INFORMATION AND SUCH INFORMATION MAY NOT BE DISCLOSED TO OTHERS FOR ANY PURPOSE, NOR USED FOR MANUFACTURING PURPOSES WITHOUT WRITTEN PERMISSION FROM HONEYWELL</small>				
RELEASE DATE	2012-12-05	DRW:	K. NAVEEN	2012-12-05	RDE:	K. BALAJI	2012-12-05	QA:	-	CHK:	K. BALAJI	2012-12-05
APPLICABLE DOCUMENTS:	ASME Y14.100-2004 ASME Y14.5-2009	COMPUTER GENERATED DRAWING:	PRO/ENGINEER									