



Chipsmall Limited consists of a professional team with an average of over 10 year of expertise in the distribution of electronic components. Based in Hongkong, we have already established firm and mutual-benefit business relationships with customers from,Europe,America and south Asia,supplying obsolete and hard-to-find components to meet their specific needs.

With the principle of “Quality Parts,Customers Priority,Honest Operation,and Considerate Service”,our business mainly focus on the distribution of electronic components. Line cards we deal with include Microchip,ALPS,ROHM,Xilinx,Pulse,ON,Everlight and Freescale. Main products comprise IC,Modules,Potentiometer,IC Socket,Relay,Connector.Our parts cover such applications as commercial,industrial, and automotives areas.

We are looking forward to setting up business relationship with you and hope to provide you with the best service and solution. Let us make a better world for our industry!



Contact us

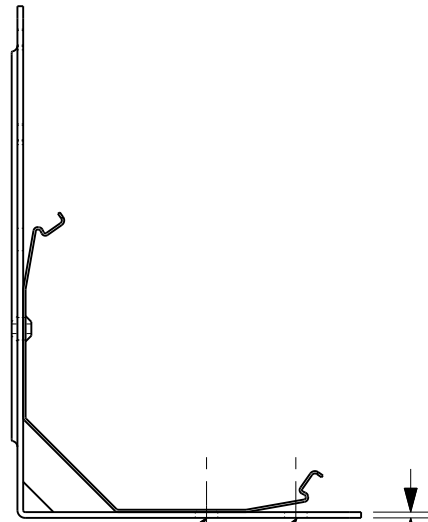
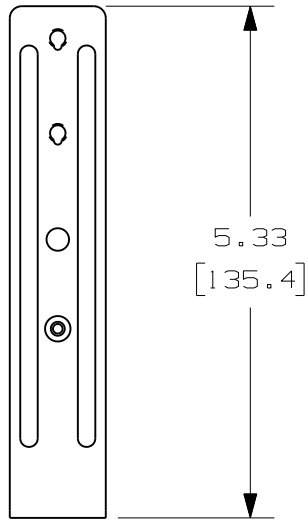
Tel: +86-755-8981 8866 Fax: +86-755-8427 6832

Email & Skype: info@chipsmall.com Web: www.chipsmall.com

Address: A1208, Overseas Decoration Building, #122 Zhenhua RD., Futian, Shenzhen, China



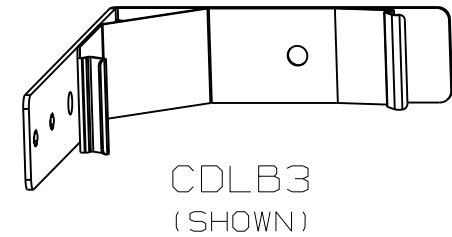
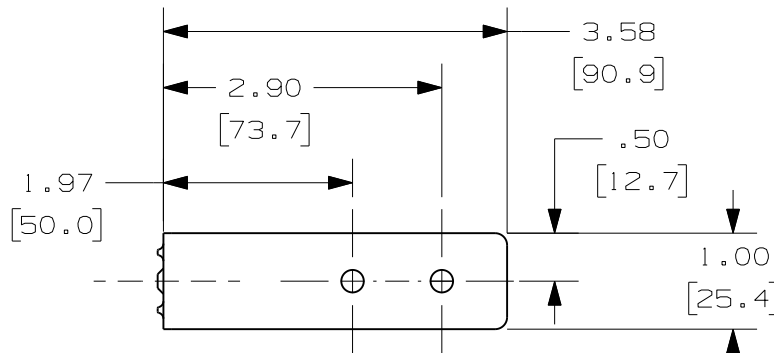
THIS COPY IS PROVIDED ON A RESTRICTED BASIS AND IS NOT TO BE USED IN ANY WAY DETRIMENTAL TO THE INTERESTS OF PANDUIT CORP.



ASM BRACKET PART NO.	USED WITH	PACKAGE QTY
CDLB3 (SHOWN)	CWD3**6	16
CDLB4	CWD4**6	16

NOTE:
1. DIMENSIONS ARE IN INCHES (MILLIMETERS).

3" CORNER DUCT BACKPLANE MOUNTING HOLE LOCATION
4" CORNER DUCT BACKPLANE MOUNTING HOLE LOCATION



CAD FILENAME/LAYERS: D39257AC_DC/01A

PANDUIT CORP. TINLEY PARK, ILLINOIS
CORNER DUCT "L" BRACKET
RIVETED ASSEMBLY
CUSTOMER DRAWING

UNLESS OTHERWISE SPECIFIED, DIMENSIONAL TOLERANCES ARE:
(.X) ± .2 (5) (.XXX) ± .010 (.3)
(.XX) ± .02 (.5) ANGLES ± 5°

UNLESS OTHERWISE SPECIFIED, ALL DIMENSIONS ARE GIVEN IN INCHES, THIRD ANGLE PROJECTION.

DRAWN BY: JCST
DATE: 10-15-07
CHK'D: HIW

MAT'L: LOW CARBON STEEL & SPRING STEEL

SCALE: .5X
DRAWING NO.: 39257-07
DWG SIZE: A

REV	DATE	BY	CHK	DESCRIPTION	ECN	R	CUST	SUP
R	10-15-07	JCST	HIW	DRAWING RELEASED TO PRODUCTION	39257-07	HIW	HIW	