



Chipsmall Limited consists of a professional team with an average of over 10 year of expertise in the distribution of electronic components. Based in Hongkong, we have already established firm and mutual-benefit business relationships with customers from,Europe,America and south Asia,supplying obsolete and hard-to-find components to meet their specific needs.

With the principle of “Quality Parts,Customers Priority,Honest Operation,and Considerate Service”,our business mainly focus on the distribution of electronic components. Line cards we deal with include Microchip,ALPS,ROHM,Xilinx,Pulse,ON,Everlight and Freescale. Main products comprise IC,Modules,Potentiometer,IC Socket,Relay,Connector.Our parts cover such applications as commercial,industrial, and automotives areas.

We are looking forward to setting up business relationship with you and hope to provide you with the best service and solution. Let us make a better world for our industry!



## Contact us

Tel: +86-755-8981 8866 Fax: +86-755-8427 6832

Email & Skype: info@chipsmall.com Web: www.chipsmall.com

Address: A1208, Overseas Decoration Building, #122 Zhenhua RD., Futian, Shenzhen, China



# Type CDLC Carboncap High-Power Board-Mount Ultracapacitor

## 4 Pin Radial Type



This leading edge, organic electrolyte D cell ultracapacitor can easily handle more than a half million duty cycles and is designed for reverse proof surface mount assembly. They are suited for industrial power back up, renewable energy systems, short term UPS, and telecom applications.

### Highlights

- High Power Performance.
- Ultra Low ESR Characteristics
- Available with Surface Mount 4 pin radial termination

### Specifications

Operating Temperature Range	-40 °C to +65 °C
Storage Temperature Range	-40 °C to +70 °C
Rated Voltage Range	2.7 Vdc, 2.85 Vdc rated surge
Capacitance Range	350 F
Capacitance Tolerance	-0% / +20%
Life at Room Temperature	10 years at rated voltage and 25 °C Capacitance change ≤20% ESR change ≤100%
Life Test	1500 Hours @ rated voltage and +65 °C Capacitance change ≤20% decrease from min. initial value ESR change ≤100% increase from max. initial value
Cycle Test	500,000 cycles Capacitance change ≤20% ESR change ≤100%
Shelf Life	2 years Capacitance change ≤10% from min. initial capacitance ESR change ≤50% from max. initial ESR
<b>RoHS Compliant</b>	

### Ratings

Part Number	CDLC351E2R7T11
Terminal Configuration	4 pin radial
<b>Capacitance (F)</b> (Discharge w constant current at 25°C)	350
<b>ESR, DC (mΩ), Max</b>	3.2
<b>Current - Max Peak (A)</b> (1 s discharge rate to 50% of rated Voltage)	220
<b>Leakage current (mA), Max</b> after 72 h at +25 °C	.32
<b>Usable Power Density, Pd (W/kg)</b> (Per IEC 62391-2)	4600
<b>Usable Power (W)</b>	276
<b>Impedance match power, (W/kg)</b>	9500
<b>Gravimetric energy density, Emax (Wh/kg)</b>	5.9
<b>Energy available (Wh)</b> (At rated voltage)	.35
<b>Weight (kg)</b>	.060
<b>Maximum Continuous Current (Arms)</b> (ΔT=15°C)	21
<b>Short circuit current (A)</b>	840

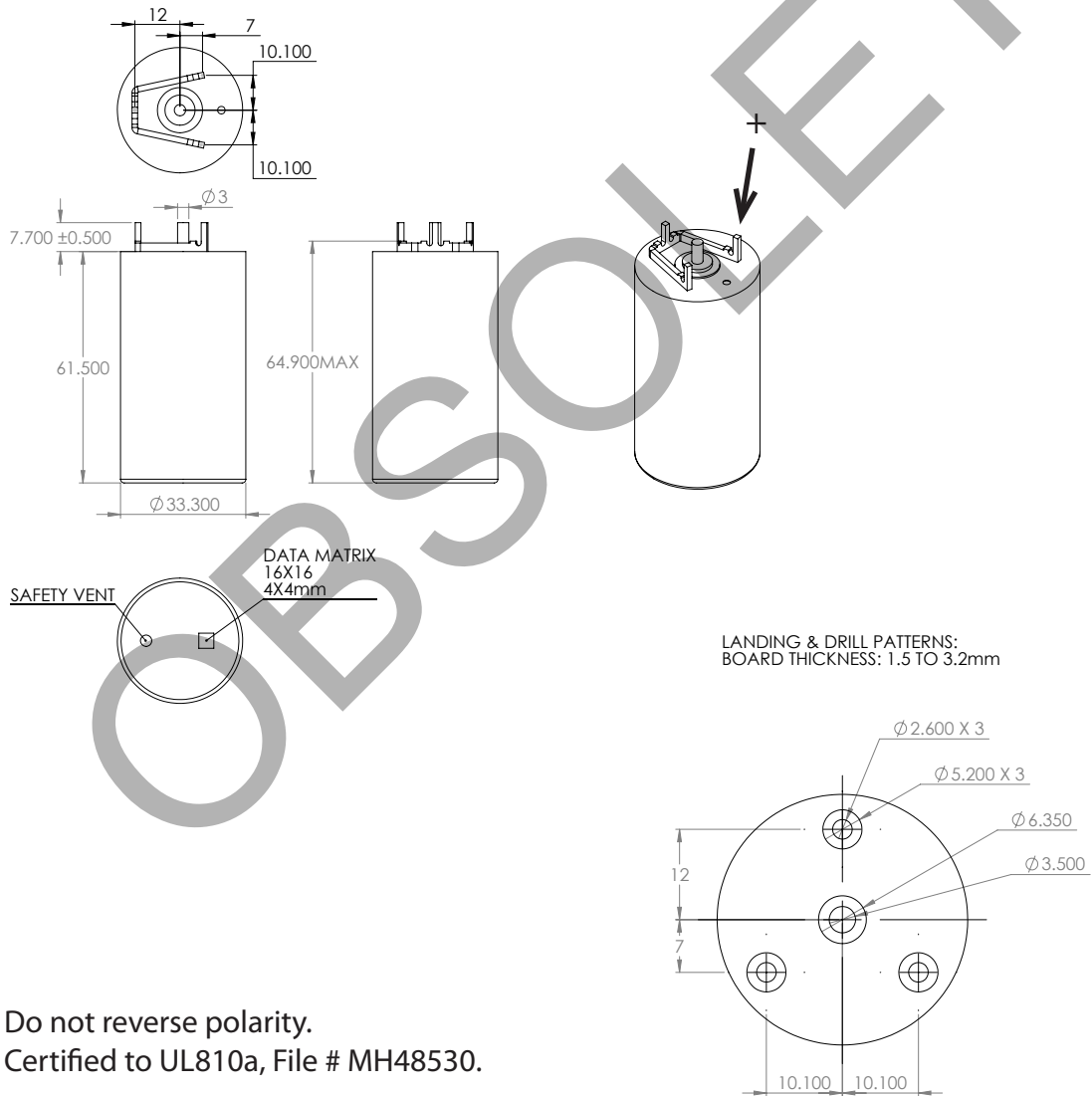
# Type CDLC Carboncap High-Power Board-Mount Ultracapacitor

## 4 Pin Radial Type

### Part Numbering System

<b>CDLC</b>	<b>351</b>	<b>E</b>	<b>2R7</b>	<b>T11</b>
<b>Type</b>	<b>Capacitance</b>	<b>Tolerance</b>	<b>Voltage</b>	<b>Configuration</b>
	(F)	(%)	(V)	
CDLC - Carbon Double Layer Cell	351 = 350	E = -0% / +20%	2R7 = 2.7	T11 = 4 pin radial

### Outline Drawing and Dimensions



Do not reverse polarity.  
 Certified to UL810a, File # MH48530.