



Chipsmall Limited consists of a professional team with an average of over 10 year of expertise in the distribution of electronic components. Based in Hongkong, we have already established firm and mutual-benefit business relationships with customers from,Europe,America and south Asia,supplying obsolete and hard-to-find components to meet their specific needs.

With the principle of “Quality Parts,Customers Priority,Honest Operation,and Considerate Service”,our business mainly focus on the distribution of electronic components. Line cards we deal with include Microchip,ALPS,ROHM,Xilinx,Pulse,ON,Everlight and Freescale. Main products comprise IC,Modules,Potentiometer,IC Socket,Relay,Connector.Our parts cover such applications as commercial,industrial, and automotives areas.

We are looking forward to setting up business relationship with you and hope to provide you with the best service and solution. Let us make a better world for our industry!



Contact us

Tel: +86-755-8981 8866 Fax: +86-755-8427 6832

Email & Skype: info@chipsmall.com Web: www.chipsmall.com

Address: A1208, Overseas Decoration Building, #122 Zhenhua RD., Futian, Shenzhen, China



Type: CDRH104R, CDRH104

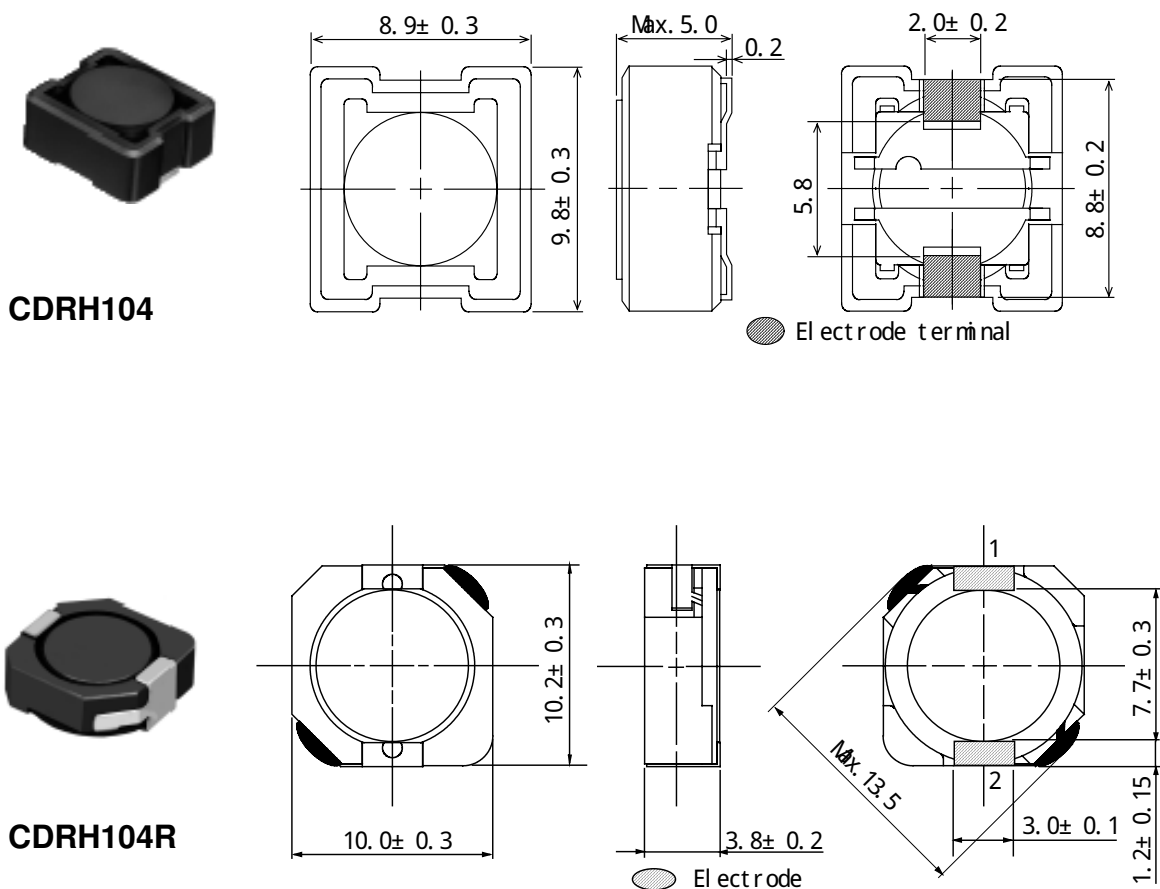
◆ Product Description

- 10.1× 9.2mm Max.(L× W), 5.0mm Max. Height. (CDRH104)
- 10.5× 10.3mm Max.(L× W), 4.0mm Max. Height. (CDRH104R)
- Inductance range:10 ~ 470μ H(CDRH104); 1.5 ~ 330μ H(CDRH104R).
- Rated current range:0.36 ~ 2.4A(CDRH104); 0.52 ~ 6.5A(CDRH104R).
- In addition to the standards versions shown here, custom inductors are also available to meet your exact requirements.

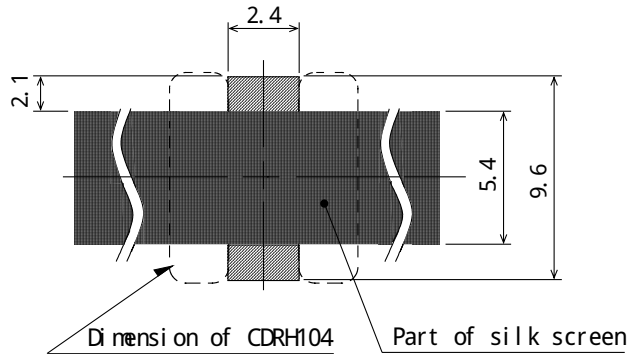
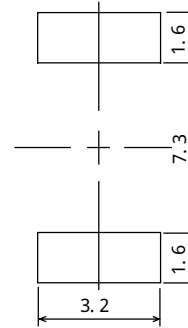
◆ Feature

- Magnetically shielded construction.
- Ideally used in Notebook PC, LCD TV,DVD, Game machine, STB ,Projector etc as DC-DC Converter inductors.
- RoHS Compliance

◆ Dimensions (mm)



Type: CDRH104R, CDRH104

◆ Land Pattern (mm)

CDRH104

CDRH104R
◆ Specification(CDRH104)

Part Name ※	Stamp	Inductance [Within] 1kHz/1V	D.C.R.(Ω) Max.(Typ.) (at 20°C)	Rated Current (A) ※ 2
CDRH104NP-100M□	100	10μ H± 20%	50m(37m)	2.40
CDRH104NP-120M□	120	12μ H± 20%	54m(40m)	2.25
CDRH104NP-150M□	150	15μ H± 20%	61m(45m)	2.00
CDRH104NP-180M□	180	18μ H± 20%	84m(63m)	1.80
CDRH104NP-220M□	220	22μ H± 20%	94m(69m)	1.65
CDRH104NP-270M□	270	27μ H± 20%	0.11(82m)	1.45
CDRH104NP-330M□	330	33μ H± 20%	0.15(0.11)	1.35
CDRH104NP-390M□	390	39μ H± 20%	0.17(0.13)	1.20
CDRH104NP-470M□	470	47μ H± 20%	0.21(0.15)	1.10
CDRH104NP-560M□	560	56μ H± 20%	0.23(0.17)	1.00
CDRH104NP-680M□	680	68μ H± 20%	0.26(0.20)	0.93
CDRH104NP-820M□	820	82μ H± 20%	0.36(0.27)	0.84
CDRH104NP-101M□	101	100μ H± 20%	0.41(0.30)	0.76
CDRH104NP-121M□	121	120μ H± 20%	0.45(0.34)	0.70
CDRH104NP-151M□	151	150μ H± 20%	0.64(0.47)	0.63
CDRH104NP-181M□	181	180μ H± 20%	0.84(0.62)	0.57
CDRH104NP-221M□	221	220μ H± 20%	0.96(0.71)	0.52
CDRH104NP-271M□	271	270μ H± 20%	1.07(0.79)	0.47
CDRH104NP-331M□	331	330μ H± 20%	1.37(1.05)	0.43
CDRH104NP-391M□	391	390μ H± 20%	1.55(1.19)	0.39
CDRH104NP-471M□	471	470μ H± 20%	1.74(1.34)	0.36

※ Rated current: The DC current at which the inductance decreases to 75% of it's nominal value or when Δt=40°C, whichever is lower(Ta=20°C).

Type: CDRH104R, CDRH104

◆ Specification(CDRH104R)

Part Name ※	Stamp	Inductance [Within] 100kHz/1V	D.C.R.(Ω) Max.(Typ.) (at 20°C)	Saturation Current (A) ※ 1-2	Temperature Rise current (A) ※ 2
CDRH104RNP-1R5N□	1R5	1.5μ H ± 30%	8.1m (6.0m)	10.0	6.50
CDRH104RNP-2R5N□	2R5	2.5μ H ± 30%	10.5m (7.8m)	7.50	6.10
CDRH104RNP-3R8N□	3R8	3.8μ H ± 30%	13.0m (9.6m)	6.00	5.50
CDRH104RNP-5R2N□	5R2	5.2μ H ± 30%	22m (16m)	5.50	5.40
CDRH104RNP-7R0N□	7R0	7.0μ H ± 30%	27m (20m)	4.80	4.50
CDRH104RNP-100N□	100	10μ H ± 30%	35m (26m)	4.40	3.80
CDRH104RNP-120N□	120	12μ H ± 30%	46m (34m)	3.70	3.40
CDRH104RNP-150N□	150	15μ H ± 30%	50m (37m)	3.60	3.10
CDRH104RNP-180N□	180	18μ H ± 30%	69m (51m)	3.10	2.60
CDRH104RNP-220N□	220	22μ H ± 30%	73m (54m)	2.90	2.50
CDRH104RNP-270N□	270	27μ H ± 30%	88m (65m)	2.60	2.30
CDRH104RNP-330N□	330	33μ H ± 30%	93m (69m)	2.30	2.20
CDRH104RNP-390N□	390	39μ H ± 30%	127m (94m)	2.20	2.00
CDRH104RNP-470N□	470	47μ H ± 30%	128m (95m)	2.10	1.90
CDRH104RNP-560N□	560	56μ H ± 30%	188m (139m)	1.65	1.50
CDRH104RNP-680N□	680	68μ H ± 30%	213m (158m)	1.50	1.42
CDRH104RNP-820N□	820	82μ H ± 30%	283m(218m)	1.45	1.30
CDRH104RNP-101N□	101	100μ H ± 30%	304m (225m)	1.35	1.25
CDRH104RNP-121N□	121	120μ H ± 30%	375m (278m)	1.20	1.08
CDRH104RNP-151N□	151	150μ H ± 30%	506m (375m)	1.15	0.85
CDRH104RNP-181N□	181	180μ H ± 30%	568m (421m)	1.00	0.75
CDRH104RNP-221N□	221	220μ H ± 30%	756m (560m)	0.92	0.70
CDRH104RNP-271N□	271	270μ H ± 30%	853m (632m)	0.84	0.55
CDRH104RNP-331N□	331	330μ H ± 30%	1.09 (810m)	0.70	0.52

※ Description of part name

CDRH104RNP-1R5N□

— B Box
 — C Carrier Tape

- ※ 1. Saturation current: The DC current at which the inductance decreases to 65% of it's nominal value.
- ※ 2. Temperature rise current: The DC current at which the temperature rise is $\Delta t = 30^{\circ}\text{C}$. ($T_a = 20^{\circ}\text{C}$).