



Chipsmall Limited consists of a professional team with an average of over 10 year of expertise in the distribution of electronic components. Based in Hongkong, we have already established firm and mutual-benefit business relationships with customers from,Europe,America and south Asia,supplying obsolete and hard-to-find components to meet their specific needs.

With the principle of “Quality Parts,Customers Priority,Honest Operation,and Considerate Service”,our business mainly focus on the distribution of electronic components. Line cards we deal with include Microchip,ALPS,ROHM,Xilinx,Pulse,ON,Everlight and Freescale. Main products comprise IC,Modules,Potentiometer,IC Socket,Relay,Connector.Our parts cover such applications as commercial,industrial, and automotives areas.

We are looking forward to setting up business relationship with you and hope to provide you with the best service and solution. Let us make a better world for our industry!



Contact us

Tel: +86-755-8981 8866 Fax: +86-755-8427 6832

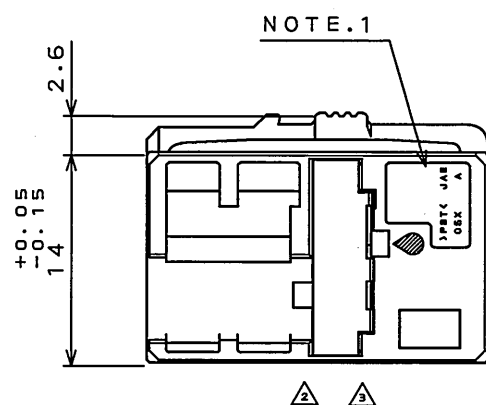
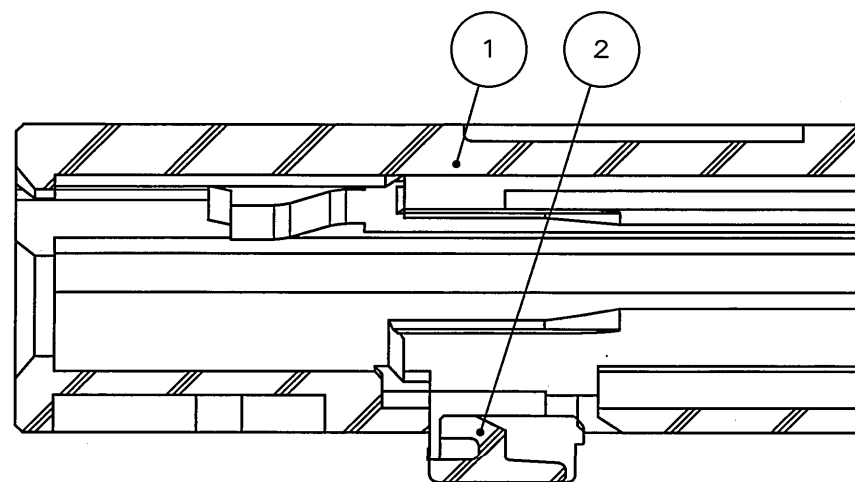
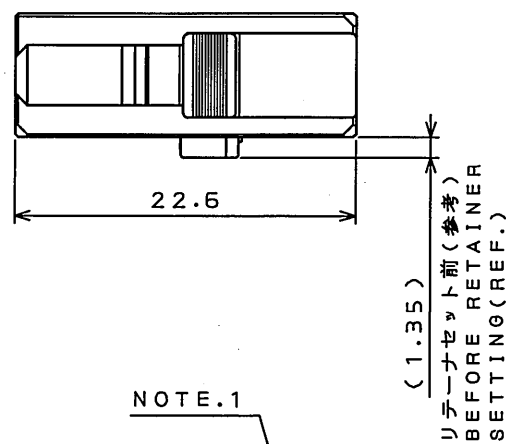
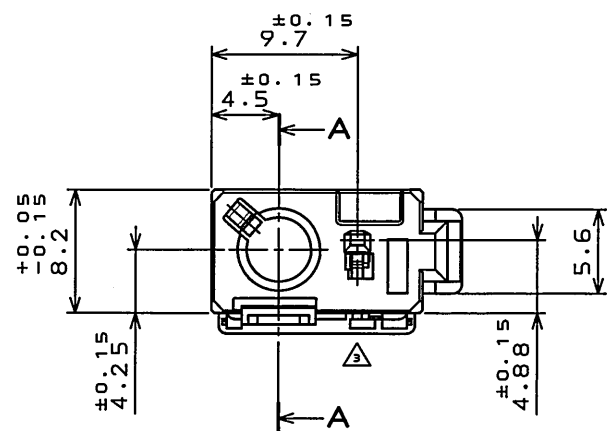
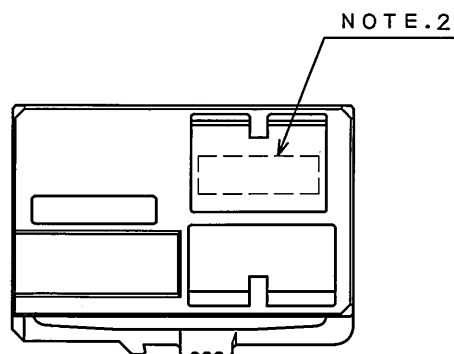
Email & Skype: info@chipsmall.com Web: www.chipsmall.com

Address: A1208, Overseas Decoration Building, #122 Zhenhua RD., Futian, Shenzhen, China



図面番号(DRAWING NO.) SJ107334

版数 REV.	年月日 DATE	DCN NO.	変更内容 DESCRIPTION	製図 DR.	担当 CHK.	査閲 APPD.	承認 APPD.
2	3.Oct.2007	064083	REVISED FORM	Y.TAKENAGA	T.MIYASHITA	—	Y.SUGII
3	25.May.2009	067223	ADDED SHAPE IMPROVING PRODUCTIVITY	Y.TAKENAGA	T.MIYASHITA	—	<i>Y. Otzuka</i>



NOTE

- 図示の位置に社標、金型マーク、材料名の表示を行う。
COMPANY LOGO "JAE", MOLD CAVITY DESIGNATOR AND MATERIAL MARKS "PBT" IS INDICATED AS SHOWN.
- 図示の位置に組立ロットNO. の表示を行う。
THE ASSEMBLY LOT NO. IS INDICATED AS SHOWN.

2	RETAINER	1	PBT	COLOR:GRAY	
1	HOUSING	1	PBT	COLOR:LIGHT GRAY	
符号 NO.	名称 DESCRIPTION	個数 QTY.	材料 MATERIAL	仕上 FINISH	備考 REMARKS
仕様書(SPECIFICATION) JACS-20084		第1版(ORIGINAL DATE) 3.Sep.2007		尺度(SCALE) 2:1	シリーズ(SERIES) CE2
公差(GENERAL TOLERANCE)		製図 DR.		名称(TITLE) CE2A111Z00	
寸法(DIMENSION)		担当 CHK.			
角度(ANGLES)		査閲 APPD.			
.		承認 APPD.			
.X ±0.4		Y.SUGII		日本航空電子工業株式会社 JAPAN AVIATION ELECTRONICS INDUSTRY, LTD. 	
.XX ±0.1					
.XXX ±					
				質量(MASS)	図面番号(DRAWING NO.) SJ107334