



Chipsmall Limited consists of a professional team with an average of over 10 year of expertise in the distribution of electronic components. Based in Hongkong, we have already established firm and mutual-benefit business relationships with customers from,Europe,America and south Asia,supplying obsolete and hard-to-find components to meet their specific needs.

With the principle of “Quality Parts,Customers Priority,Honest Operation,and Considerate Service”,our business mainly focus on the distribution of electronic components. Line cards we deal with include Microchip,ALPS,ROHM,Xilinx,Pulse,ON,Everlight and Freescale. Main products comprise IC,Modules,Potentiometer,IC Socket,Relay,Connector.Our parts cover such applications as commercial,industrial, and automotives areas.

We are looking forward to setting up business relationship with you and hope to provide you with the best service and solution. Let us make a better world for our industry!



Contact us

Tel: +86-755-8981 8866 Fax: +86-755-8427 6832

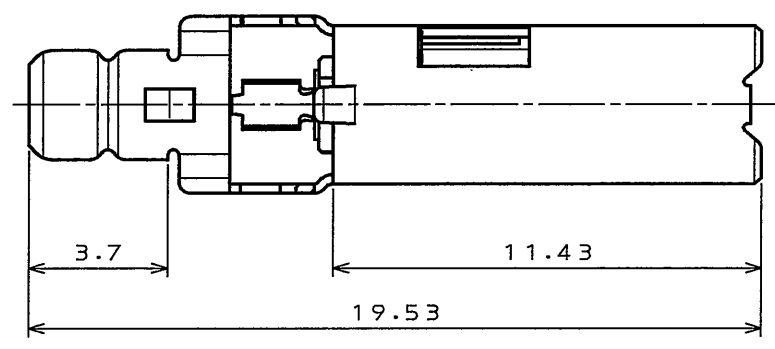
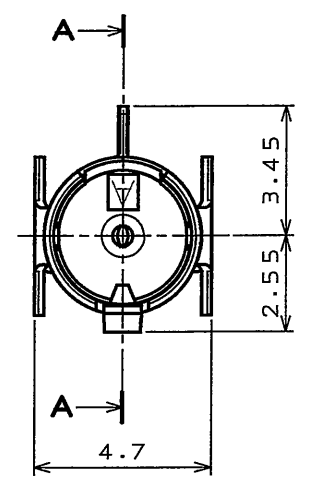
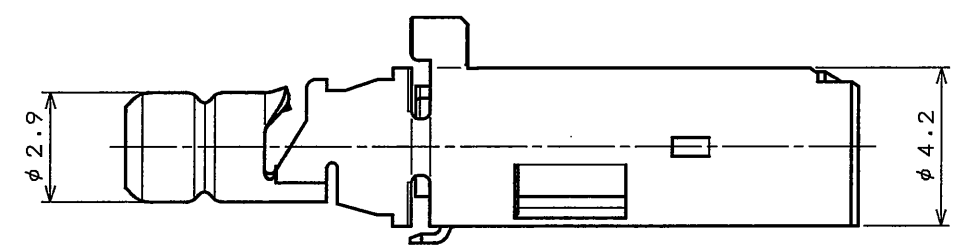
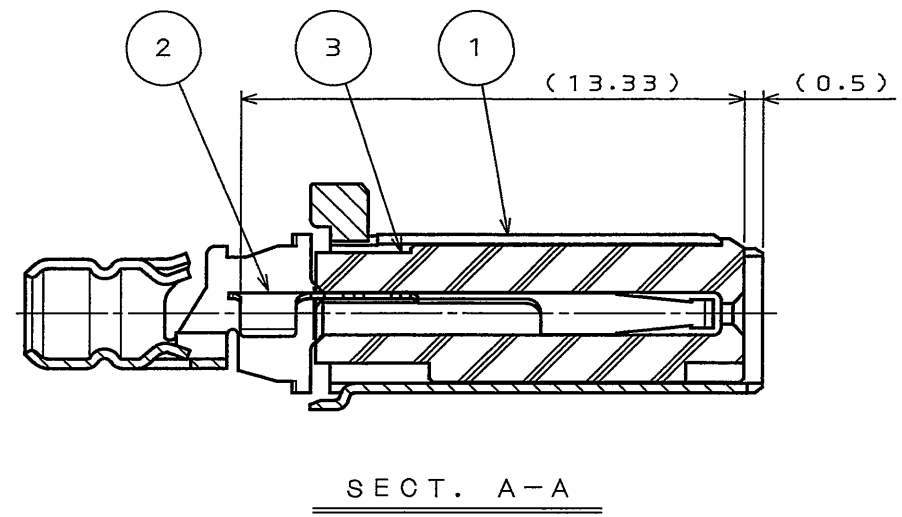
Email & Skype: info@chipsmall.com Web: www.chipsmall.com

Address: A1208, Overseas Decoration Building, #122 Zhenhua RD., Futian, Shenzhen, China



SJ107215
(DRAWING NO.) (図面番号)

版数 REV.	年月日 DATE	DGN NO.	変更内容 DESCRIPTION	製図 DR.	担当 CHK.	査閲 APPD.	承認 APPD.



NOTE

- 適用電線1.5GS-QFBE【四国電線(株)製】である。
APPLICABLE WIRE:1.5GS-QFBE(MAKER:SHIKOKU CABLE CO.,LTD.)
- せん断面にめっきは付かない。
THE SHEARED EDGES OF CONTACT ARE NOT PLATED.

DEF-0-212F(05.06)



3	INNER HOUSING	1	30%0F SPS	COLOR:BLACK	
2	INNER TERMINAL	1	PHOSPHOR BRONZE	CONTACT AREA:GOLD OVER NICKEL TERMINAL AREA: RE-FLOW TIN PLATE OVER NICKEL	
1	OUTER TERMINAL	1	PHOSPHOR BRONZE	TIN PLATING	
符号 NO.	名称 DESCRIPTION	個数 QTY.	材料 MATERIAL	仕上 FINISH	備考 REMARKS
仕様書(SPECIFICATION) JACS-20084		第1版(ORIGINAL DATE) 11.May.2007		尺度(SCALE) 5:1	シリーズ(SERIES) CE2
公差(GENERAL TOLERANCE)		製図 DR.		名称(TITLE) CE2G001C01	
寸法(DIMENSION)		担当 CHK. T.MIYASHITA			
角度(ANGLES)		査閲 APPD.			
. ±0.8 X° ±		承認 APPD. J.Gugii			
.X ±0.4 X°X' ±		質量(MASS)		日本航空電子工業株式会社 JAPAN AVIATION ELECTRONICS INDUSTRY, LTD.	
.XX ±0.1		図面番号(DRAWING NO.) SJ107215			
.XXX ±		承認 APPD.		版数 (REV.) 1	