



Chipsmall Limited consists of a professional team with an average of over 10 year of expertise in the distribution of electronic components. Based in Hongkong, we have already established firm and mutual-benefit business relationships with customers from,Europe,America and south Asia,supplying obsolete and hard-to-find components to meet their specific needs.

With the principle of “Quality Parts,Customers Priority,Honest Operation,and Considerate Service”,our business mainly focus on the distribution of electronic components. Line cards we deal with include Microchip,ALPS,ROHM,Xilinx,Pulse,ON,Everlight and Freescale. Main products comprise IC,Modules,Potentiometer,IC Socket,Relay,Connector.Our parts cover such applications as commercial,industrial, and automotives areas.

We are looking forward to setting up business relationship with you and hope to provide you with the best service and solution. Let us make a better world for our industry!



Contact us

Tel: +86-755-8981 8866 Fax: +86-755-8427 6832

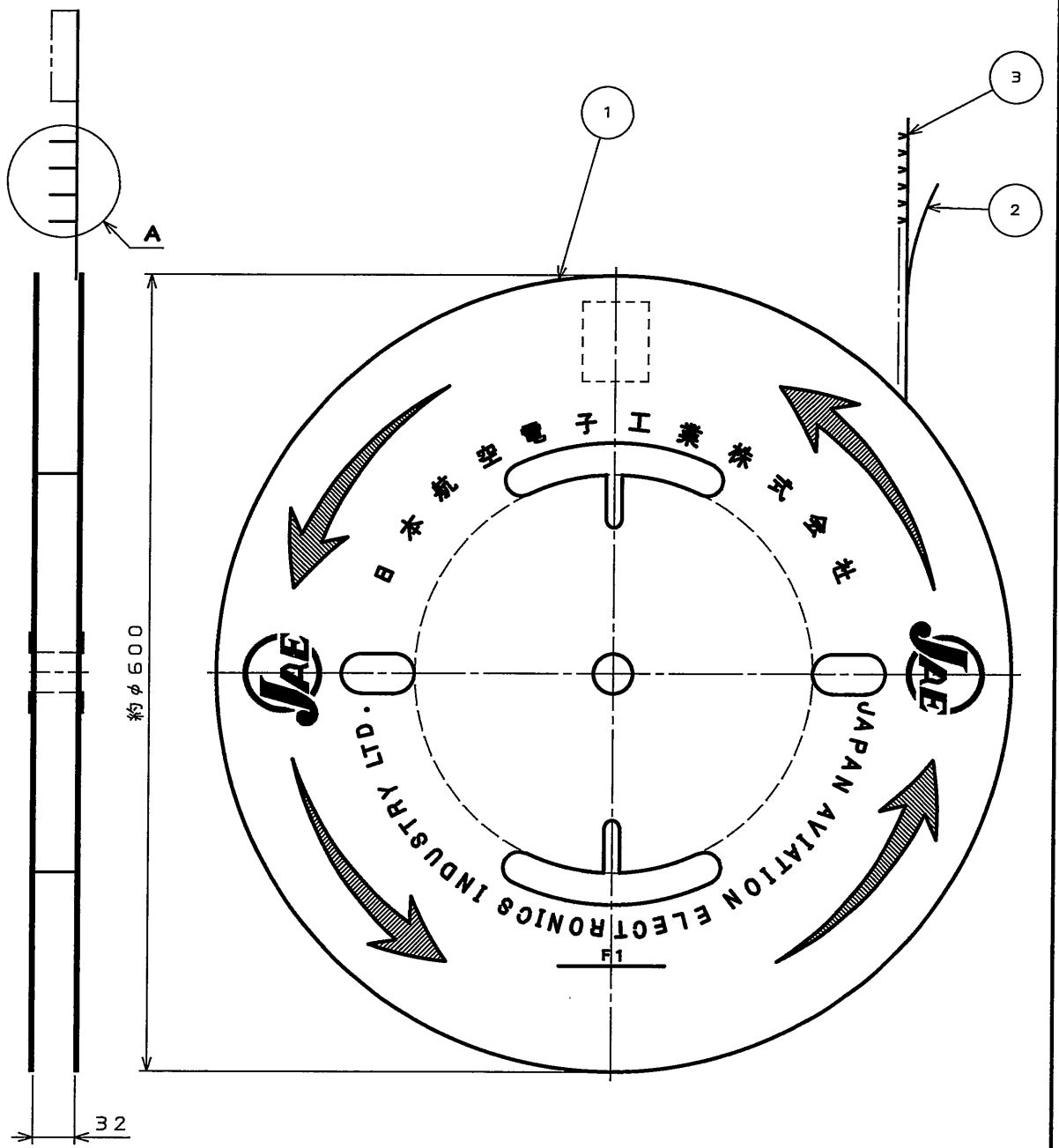
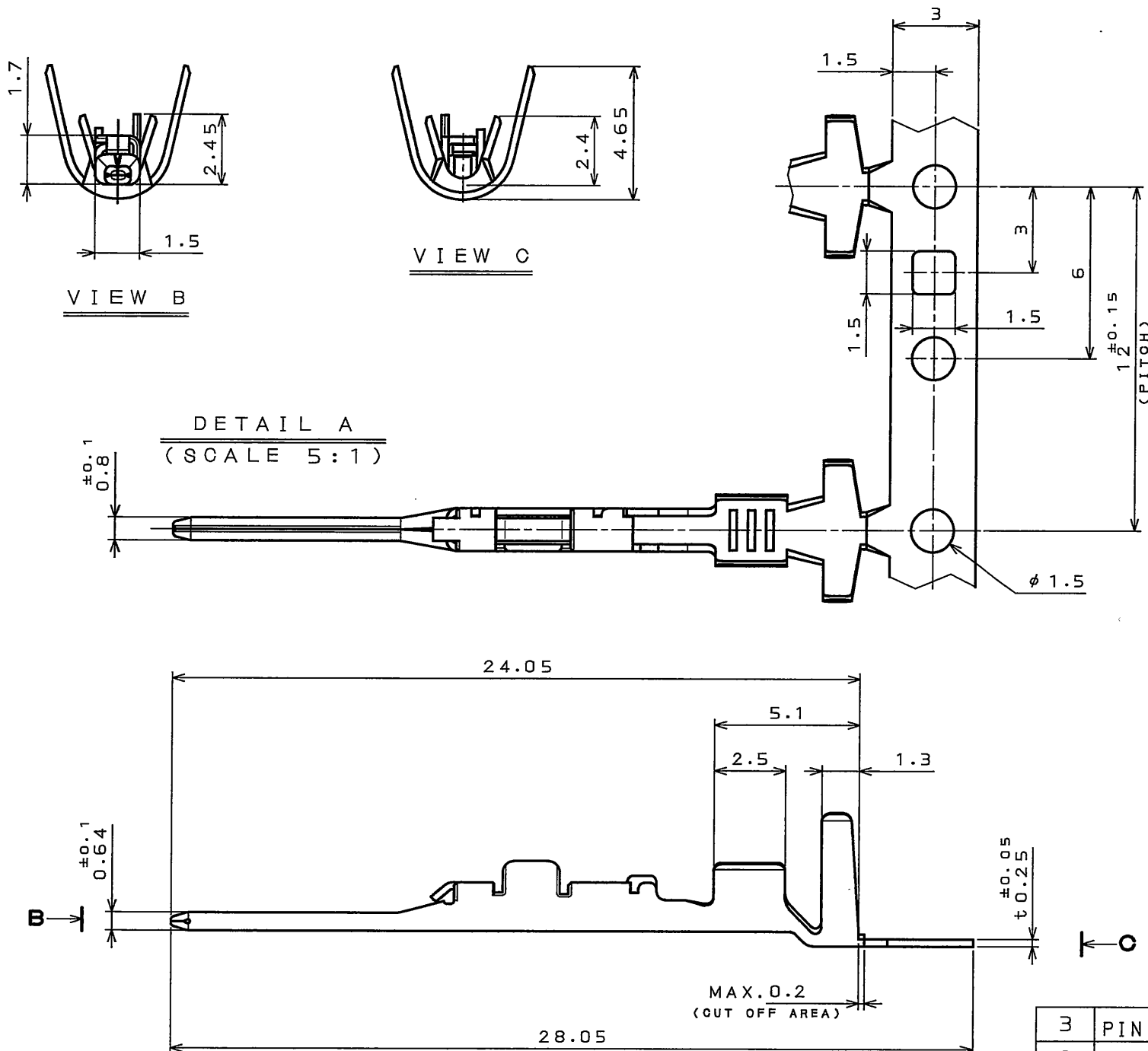
Email & Skype: info@chipsmall.com Web: www.chipsmall.com

Address: A1208, Overseas Decoration Building, #122 Zhenhua RD., Futian, Shenzhen, China



9EEZ01S
(ON 0NIMVH0)号号图

版数 REV.	年月日 DATE	DCN NO.	変更内容 DESCRIPTION	製図 DR.	担当 CHK.	査閲 APPD.	承認 APPD.



3	PIN CONTACT	2800	GAC60	PLATING: Sn	
2	TAPE	1	PAPER		
1	REEL	1	PAPER		
符号 NO.	名称 DESCRIPTION	個数 QTY.	材料 MATERIAL	仕上 FINISH	備考 REMARKS
	仕様書 (SPECIFICATION) JACS-20084		第1版 (ORIGINAL DATE) 6.Aug.2007	尺度 (SCALE) 1:5	シリーズ (SERIES) CE2
	公差 (GENERAL TOLERANCE)		製図 DR.	名称 (TITLE) CE2J28HC01	
	寸法 (DIMENSION)		担当 CHK. T.MIYASHITA	日本航空電子工業株式会社 JAPAN AVIATION ELECTRONICS INDUSTRY, LTD.	
	角度 (ANGLES)		査閲 APPD.		
	. ±0.8	X° ±	承認 APPD.		
	.X ±0.4	X°X' ±	承認 APPD. <i>Y. Gupii</i>		
	.XX ±0.1			質量 (MASS)	図面番号 (DRAWING NO.) SJ107336
	.XXX ±				版数 (REV.) 1

NOTE.1 APPLICABLE WIRE: HAV 0.5sq (ONLY HAV-0.5sq USE)

注1 適用電線はHAV 0.5sqのみとする (HAV 0.5sq専用)。

DOF-0-212F(05.08)

