



Chipsmall Limited consists of a professional team with an average of over 10 year of expertise in the distribution of electronic components. Based in Hongkong, we have already established firm and mutual-benefit business relationships with customers from,Europe,America and south Asia,supplying obsolete and hard-to-find components to meet their specific needs.

With the principle of “Quality Parts,Customers Priority,Honest Operation,and Considerate Service”,our business mainly focus on the distribution of electronic components. Line cards we deal with include Microchip,ALPS,ROHM,Xilinx,Pulse,ON,Everlight and Freescale. Main products comprise IC,Modules,Potentiometer,IC Socket,Relay,Connector.Our parts cover such applications as commercial,industrial, and automotives areas.

We are looking forward to setting up business relationship with you and hope to provide you with the best service and solution. Let us make a better world for our industry!



## Contact us

Tel: +86-755-8981 8866 Fax: +86-755-8427 6832

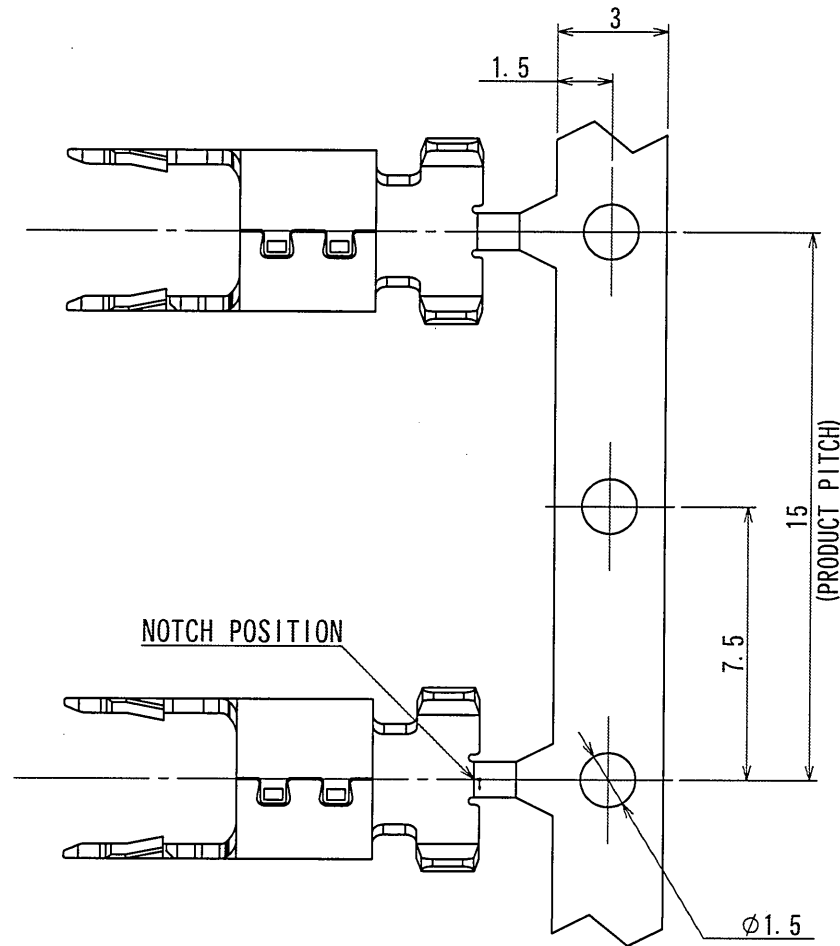
Email & Skype: info@chipsmall.com Web: www.chipsmall.com

Address: A1208, Overseas Decoration Building, #122 Zhenhua RD., Futian, Shenzhen, China

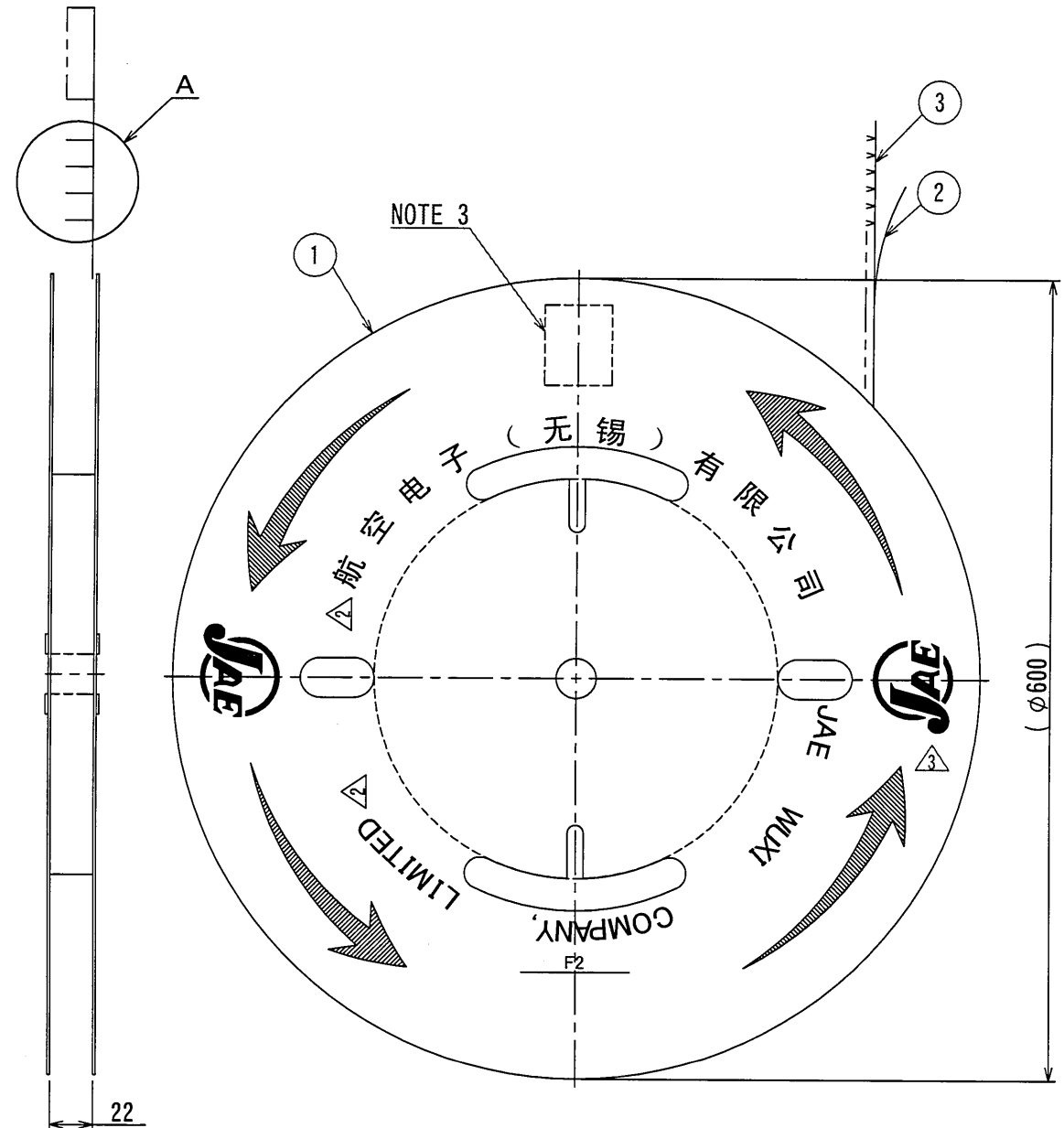
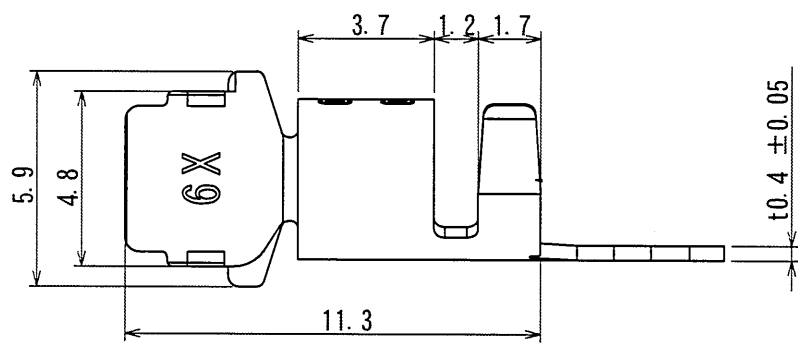
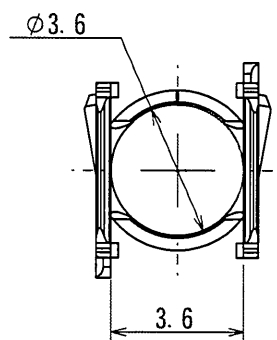


912701S  
(ON DRAWING) 台番号

版数 REV.	年月日 DATE	DCN NO.	変更内容 DESCRIPTION	製図 DR.	担当 CHK.	査閲 APPD.	承認 APPD.
2	20/Aug/2007	063666	CHANGED QUANTITY AND PRINTING	M. NAKAZATO	T. MIYASHITA	—	Y. SUGII
3	11/Sep/2007	063900	CHANGED PRINTING	M. NAKAZATO	T. MIYASHITA	—	Y. SUGII



DETAIL A  
(SCALE 5:1)



- NOTE1. 適用電線1. 5CS-QFBE【四国電線(株)製】である。  
APPLICABLE WIRE: 1. 5CS-QFBE (MAKER: SHIKOKU CABLE CO., LTD.)
2. せん断面にめっきは付かない。  
THE SHEARED EDGES OF CONTACT ARE NOT PLATED.
3. 図示の位置に品名、数量を記載する。  
PART NUMBER & QUANTITY SHALL BE DESCRIBED AS INDICATED.

符号 NO.	名称 DESCRIPTION	個数 QTY	材料 MATERIAL	仕上 FINISH	備考 REMARKS
3	CE2-SLEEV	2200	BRASS	TIN PLATING	
2	TAPE	1	PAPER	—	
1	REEL	1	PAPER	—	

仕様書(SPECIFICATION) JACS-20084		第1版(ORIGINAL DATE) 11/May/2007		尺度(SCALE) 1:5		シリーズ(SERIES) CE2	
一般公差(GENERAL TOLERANCE)		製図 DR.		名称(TITLE) CE2Z22HC01		日本航空電子工業株式会社	
寸法(DIMENSION)		担当 CHK. T. MIYASHITA		査閲 APPD.		JAE JAPAN AVIATION ELECTRONICS INDUSTRY, LTD.	
角度(ANGLES)		承認 APPD. Y. SUGII		質量(MASS)		図面番号(DRAWING NO.) SJ107216	
. ± 0.8						版数 (REV.) 3	
.X ± 0.4							
.XX ± 0.1							
.XXX ±							

DCF-C-212E (05.08)

