



Chipsmall Limited consists of a professional team with an average of over 10 year of expertise in the distribution of electronic components. Based in Hongkong, we have already established firm and mutual-benefit business relationships with customers from,Europe,America and south Asia,supplying obsolete and hard-to-find components to meet their specific needs.

With the principle of “Quality Parts,Customers Priority,Honest Operation,and Considerate Service”,our business mainly focus on the distribution of electronic components. Line cards we deal with include Microchip,ALPS,ROHM,Xilinx,Pulse,ON,Everlight and Freescale. Main products comprise IC,Modules,Potentiometer,IC Socket,Relay,Connector.Our parts cover such applications as commercial,industrial, and automotives areas.

We are looking forward to setting up business relationship with you and hope to provide you with the best service and solution. Let us make a better world for our industry!



Contact us

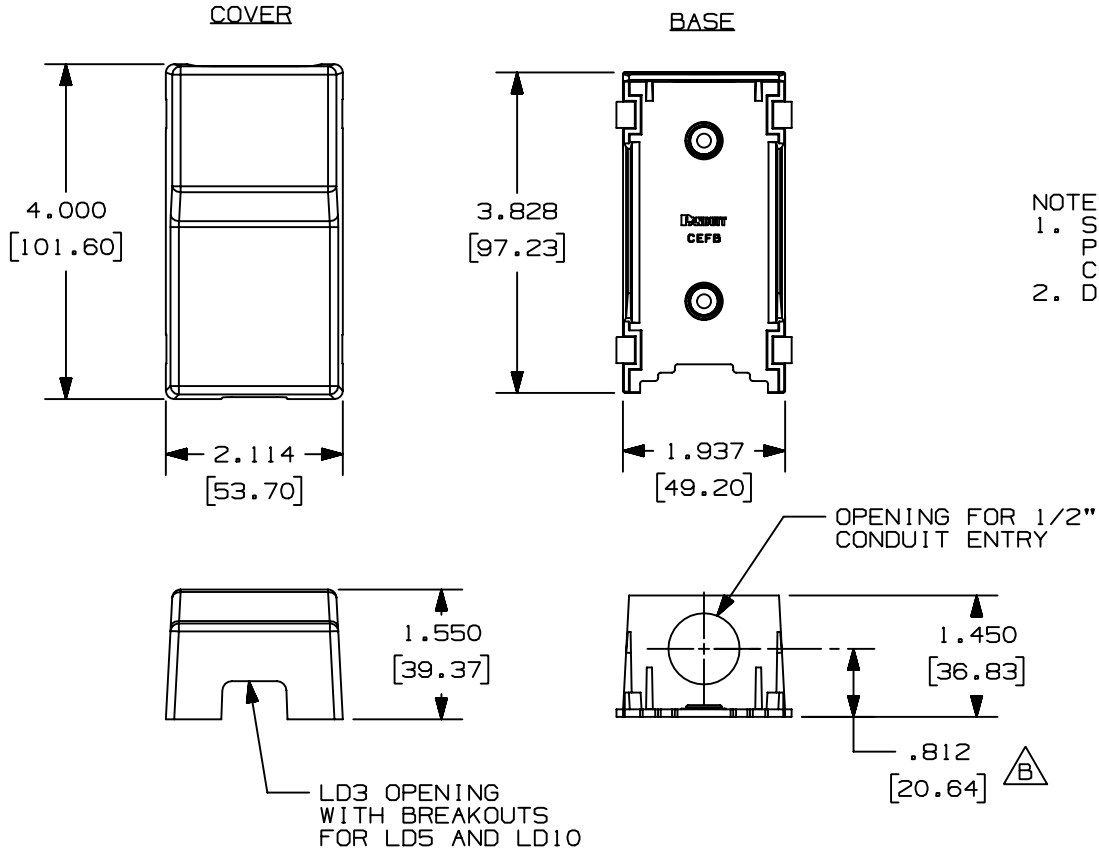
Tel: +86-755-8981 8866 Fax: +86-755-8427 6832

Email & Skype: info@chipsmall.com Web: www.chipsmall.com

Address: A1208, Overseas Decoration Building, #122 Zhenhua RD., Futian, Shenzhen, China

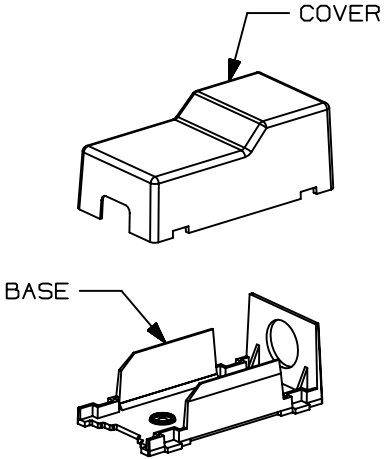


THIS COPY IS PROVIDED ON A RESTRICTED BASIS AND IS NOT TO BE USED IN ANY WAY DETRIMENTAL TO THE INTERESTS OF PANDUIT CORP.



PANDUIT P/N	WEIGHT
CEFX-X	.143 lbs [64.88 g]

NOTES:
 1. SEE CURRENT CATALOG FOR ADDITIONAL PART NUMBER SUFFIXES TO INDICATE COLOR AND/OR PACKAGE QUANTITY.
 2. DIMENSIONS IN PARENTHESIS ARE METRIC.



CAD FILENAME/LAYERS		D38913AB_DC_CEFX_04D.PRT	
PANDUIT CORP. TINLEY PARK, ILLINOIS			
CONDUIT ENTRANCE FITTING BASE AND COVER (CEFX) CUSTOMER DRAWING			
UNLESS OTHERWISE SPECIFIED, DIMENSIONAL TOLERANCES ARE: (.X) ± (.XXX) ±.005 (.XX) ±.010 ANGLES ±1°		UNLESS OTHERWISE SPECIFIED, ALL DIMENSIONS ARE GIVEN IN INCHES, THIRD ANGLE PROJECTION.	
DRAWN BY JHEP	MAT'L: PVC	SCALE NONE	
DATE 08-17-04	A	DRAWING NO.	DWG SIZE
CHK'D RMHI		38913-03	A

REV	DATE	BY	CHK	DESCRIPTION	ECN	CHK	CUST	SUP
3	01-17-05	JHEP	RMHI	B. ADDED DIMENSION	38913-03	RGRO	RGRO	
2	12-21-04	JHEP	RMHI	A. ADDED MATERIAL INFORMATION	38913-03	RGRO	RGRO	
1	11-29-04	JHEP	RMHI	RELEASED TO PRODUCTION	38913-03	RGRO	RGRO	
R	08-17-04	JHEP	RMHI	DRAWING RELEASED				