



Chipsmall Limited consists of a professional team with an average of over 10 year of expertise in the distribution of electronic components. Based in Hongkong, we have already established firm and mutual-benefit business relationships with customers from,Europe,America and south Asia,supplying obsolete and hard-to-find components to meet their specific needs.

With the principle of “Quality Parts,Customers Priority,Honest Operation,and Considerate Service”,our business mainly focus on the distribution of electronic components. Line cards we deal with include Microchip,ALPS,ROHM,Xilinx,Pulse,ON,Everlight and Freescale. Main products comprise IC,Modules,Potentiometer,IC Socket,Relay,Connector.Our parts cover such applications as commercial,industrial, and automotives areas.

We are looking forward to setting up business relationship with you and hope to provide you with the best service and solution. Let us make a better world for our industry!



Contact us

Tel: +86-755-8981 8866 Fax: +86-755-8427 6832

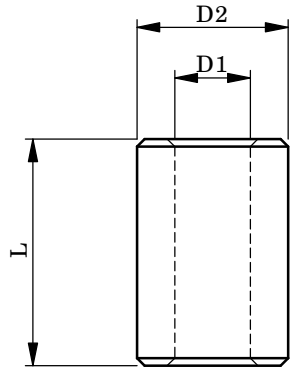
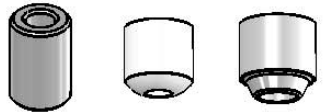
Email & Skype: info@chipsmall.com Web: www.chipsmall.com

Address: A1208, Overseas Decoration Building, #122 Zhenhua RD., Futian, Shenzhen, China

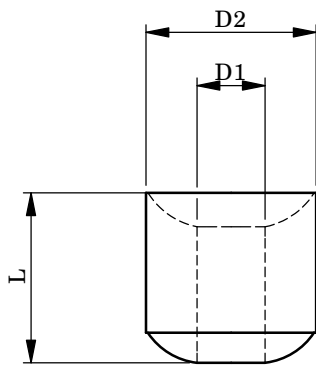


A B C D E F

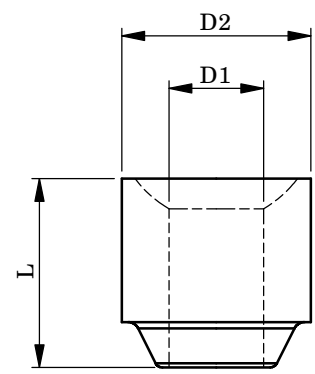
REV.	MODIFICATION.	DATE	DRN
01	NEW DRAWING	30/06/04	NJB
02	PART REF. QTY CHANGED	24/09/04	NJB
03	DUAL DIMENSIONING ADDED	04/10/04	NJB
04	ECN 05-012	11/01/05	NJB
05	ECN 06-034	22/02/06	OW



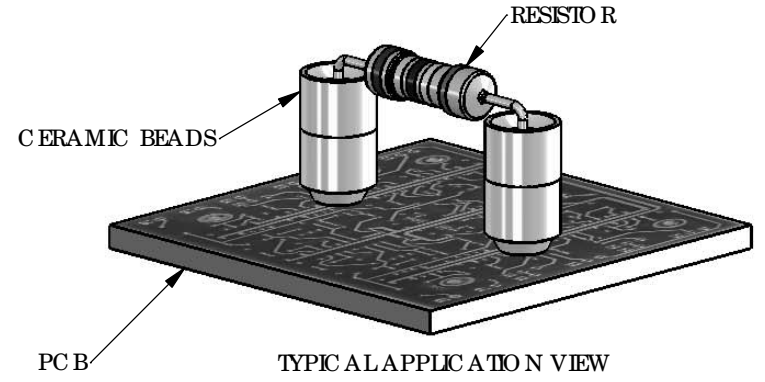
STYLE 1



STYLE 2



STYLE 3



NO TES:
 1) ALL PRIMARY DIMENSIONS IN mm,
 SECONDARY DIMENSIONS IN INCHES.

PART NUMBER	D1	D2	L	STYLE
CER-1	2.0 [.079]	4.0 [.158]	6.0 [.237]	1
CER-2	1.6 [.063]	4.5 [.178]	8.0 [.315]	1
CER-3	1.6 [.063]	4.5 [.178]	10.0 [.394]	1
CER-4	1.0 [.040]	3.0 [.119]	3.0 [.119]	2
CER-5	1.8 [.071]	4.5 [.178]	4.5 [.178]	2
CER-6	1.0 [.040]	3.0 [.119]	5.0 [.197]	2
CER-7	2.5 [.098]	5.0 [.197]	5.0 [.197]	3

INFORMATION CONTAINED IN THIS DOCUMENT IS CONFIDENTIAL TO RICHCO INTERNATIONAL Co., Ltd. AND MAY NOT BE DISCLOSED OR REPRODUCED IN WHOLE OR PART WITHOUT THEIR WRITTEN CONSENT.



METRIC GENERAL TOLERANCES ±0.25 ARE PRIMARY UNLESS OTHERWISE STATED 1 DECIMAL PLACE ± 2 DECIMAL PLACES ± ANGULAR ±1°	IMPERIAL GENERAL TOLERANCES ±0.010 ARE FOR REFERENCE UNLESS OTHERWISE 1 DECIMAL PLACE ± 2 DECIMAL PLACES ± ANGULAR ±1°	THIRD ANGLE
--	--	-----------------

MATERIAL: STEA TITE C 220 CERAMIC (RMS-170)	COLOR: NATURAL
--	-------------------

DESCRIPTION: CERAMIC BEADS, SPACERS & TUBES	PART No : CER-X
--	--------------------

DRG No : 04-067	NPR No :	WEIGHT:	SHEET SIZE A4
--------------------	----------	---------	------------------

DRN NJB	DATE 30/06/04	CHKD OW	DATE 30/06/04	SCALE NTS	SHEET No . 1 OF 1
------------	------------------	------------	------------------	--------------	----------------------

A B C D E F