



Chipsmall Limited consists of a professional team with an average of over 10 year of expertise in the distribution of electronic components. Based in Hongkong, we have already established firm and mutual-benefit business relationships with customers from,Europe,America and south Asia,supplying obsolete and hard-to-find components to meet their specific needs.

With the principle of “Quality Parts,Customers Priority,Honest Operation,and Considerate Service”,our business mainly focus on the distribution of electronic components. Line cards we deal with include Microchip,ALPS,ROHM,Xilinx,Pulse,ON,Everlight and Freescale. Main products comprise IC,Modules,Potentiometer,IC Socket,Relay,Connector.Our parts cover such applications as commercial,industrial, and automotives areas.

We are looking forward to setting up business relationship with you and hope to provide you with the best service and solution. Let us make a better world for our industry!



Contact us

Tel: +86-755-8981 8866 Fax: +86-755-8427 6832

Email & Skype: info@chipsmall.com Web: www.chipsmall.com

Address: A1208, Overseas Decoration Building, #122 Zhenhua RD., Futian, Shenzhen, China

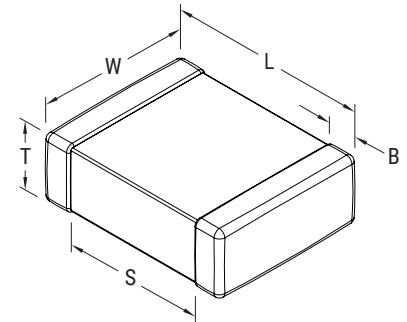


Sample Kit Contents

KEMET Part Number	Case Size	Cap	Cap Tolerance	Rated Voltage	T Thickness	Dielectric	Series	Quantity
	EIA/Metric		%	VDC	mm			
C0805F472K2RACTU	0805/2012	4,700 pF	±10	200	0.90 ±0.10	X7R	Open Mode, Standard Termination	50
C0805F473K1RACTU	0805/2012	47,000 pF	±10	100	1.00 ±0.15	X7R	Open Mode, Standard Termination	50
C0805F683K1RACTU	0805/2012	68,000 pF	±10	100	1.25 ±0.15	X7R	Open Mode, Standard Termination	50
C0805F104K5RACTU	0805/2012	0.10 µF	±10	50	1.25 ±0.15	X7R	Open Mode, Standard Termination	50
C1206F683K2RACTU	1206/3216	68,000 pF	±10	200	1.60 ±0.15	X7R	Open Mode, Standard Termination	50
C1206F224K1RACTU	1206/3216	0.22 µF	±10	100	1.00 ±0.10	X7R	Open Mode, Standard Termination	50
C1206F474K5RACTU	1206/3216	0.47 µF	±10	50	0.90 ±0.10	X7R	Open Mode, Standard Termination	50
C1206F105K5RACTU	1206/3216	1.0 µF	±10	50	1.60 ±0.20	X7R	Open Mode, Standard Termination	50
C1210F225K5RACTU	1210/3225	2.2 µF	±10	50	1.70 ±0.20	X7R	Open Mode, Standard Termination	50
C1210F475K3RACTU	1210/3225	4.7 µF	±10	25	1.70 ±0.20	X7R	Open Mode, Standard Termination	50
C1812F475K5RACTU	1812/4532	4.7 µF	±10	50	1.60 ±0.20	X7R	Open Mode, Standard Termination	25
C0805J103K2RACTU	0805/2012	10,000 pF	±10	200	0.90 ±0.10	X7R	Open Mode, Flexible Termination	50
C0805J104K5RACTU	0805/2012	0.10 µF	±10	50	1.25 ±0.15	X7R	Open Mode, Flexible Termination	50
C0805J224K5RACTU	0805/2012	0.22 µF	±10	50	1.25 ±0.15	X7R	Open Mode, Flexible Termination	50
C1206J473K2RACTU	1206/3216	47,000 pF	±10	200	1.60 ±0.15	X7R	Open Mode, Flexible Termination	50
C1206J104K2RACTU	1206/3216	0.10 µF	±10	200	1.60 ±0.15	X7R	Open Mode, Flexible Termination	50
C1206J154K1RACTU	1206/3216	0.15 µF	±10	100	1.60 ±0.15	X7R	Open Mode, Flexible Termination	50
C1210J474K1RACTU	1210/3225	0.47 µF	±10	100	1.85 ±0.20	X7R	Open Mode, Flexible Termination	50
C1210J105K1RACTU	1210/3225	1.0 µF	±10	100	2.50 ±0.30	X7R	Open Mode, Flexible Termination	50
C1812J105K1RACTU	1812/4532	1.0 µF	±10	100	2.00 ±0.20	X7R	Open Mode, Flexible Termination	25
C0402S102K5RACTU	0402/1005	1,000 pF	±10	50	0.50 ±0.05	X7R	Floating Electrode, Standard Termination	100
C0603S102K2RACTU	0603/1608	1,000 pF	±10	200	0.80 ±0.07	X7R	Floating Electrode, Standard Termination	50
C0603S103K5RACTU	0603/1608	10,000 pF	±10	50	0.80 ±0.07	X7R	Floating Electrode, Standard Termination	50
C0805S103K1RACTU	0805/2012	10,000 pF	±10	100	0.78 ±0.10	X7R	Floating Electrode, Standard Termination	50
C0805S223K1RACTU	0805/2012	22,000 pF	±10	100	0.90 ±0.10	X7R	Floating Electrode, Standard Termination	50
C1206S223KARACTU	1206/3216	22,000 pF	±10	250	0.90 ±0.10	X7R	Floating Electrode, Standard Termination	50
C1206S104K5RACTU	1206/3216	0.10 µF	±10	50	1.25 ±0.15	X7R	Floating Electrode, Standard Termination	50
C1210S473K2RACTU	1210/3225	47,000 pF	±10	200	0.90 ±0.10	X7R	Floating Electrode, Standard Termination	50
C1210S224K5RACTU	1210/3225	0.22 µF	±10	50	0.90 ±0.10	X7R	Floating Electrode, Standard Termination	50
C1812S104K1RACTU	1812/4532	0.10 µF	±10	100	1.00 ±0.10	X7R	Floating Electrode, Standard Termination	25
C0603Y222K2RACTU	0603/1608	2,200 pF	±10	200	0.80 ±0.07	X7R	Floating Electrode, Flexible Termination	50
C0603Y472K2RACTU	0603/1608	4,700 pF	±10	200	0.80 ±0.07	X7R	Floating Electrode, Flexible Termination	50
C0603Y223K5RACTU	0603/1608	22,000 pF	±10	50	0.80 ±0.07	X7R	Floating Electrode, Flexible Termination	50
C0805Y102K2RACTU	0805/2012	1,000 pF	±10	200	0.78 ±0.10	X7R	Floating Electrode, Flexible Termination	50
C0805Y104K5RACTU	0805/2012	0.10 µF	±10	50	1.25 ±0.15	X7R	Floating Electrode, Flexible Termination	50
C1206Y222K2RACTU	1206/3216	2,200 pF	±10	200	0.78 ±0.10	X7R	Floating Electrode, Flexible Termination	50
C1206Y103K2RACTU	1206/3216	10,000 pF	±10	200	0.78 ±0.10	X7R	Floating Electrode, Flexible Termination	50
C1210Y103K2RACTU	1210/3225	10,000 pF	±10	200	0.78 ±0.10	X7R	Floating Electrode, Flexible Termination	50
C1210Y104K1RACTU	1210/3225	0.10 µF	±10	100	0.95 ±0.10	X7R	Floating Electrode, Flexible Termination	50
C1812Y224K5RACTU	1812/4532	0.22 µF	±10	50	1.00 ±0.10	X7R	Floating Electrode, Flexible Termination	25

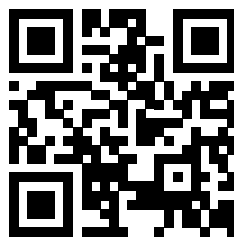
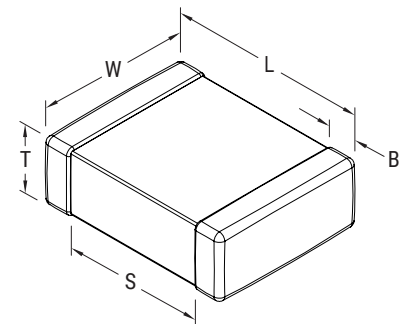
Dimensions – Millimeters (Inches) – Standard Termination

Case Size (in.)	Case Size (mm)	L Length	W Width	T Thickness	B Bandwidth	S Separation Minimum	Mounting Technique
0402	1005	1.00 (.040) ±0.05 (.002)	0.50 (.020) ±0.05 (.002)	See Table Above	0.30 (.012) ±0.10 (.004)	0.30 (.012)	Solder Reflow Only
0603	1608	1.60 (.063) ±0.15 (.006)	0.80 (.032) ±0.15 (.006)		0.35 (.014) ±0.15 (.006)	0.70 (.028)	Solder Wave or Solder Reflow
0805	2012	2.00 (.079) ±0.20 (.008)	1.25 (.049) ±0.20 (.008)		0.50 (0.02) ±0.25 (.010)	0.75 (.030)	
1206	3216	3.20 (.126) ±0.20 (.008)	1.60 (.063) ±0.20 (.008)		0.50 (0.02) ±0.25 (.010)	N/A	Solder Reflow Only
1210	3225	3.20 (.126) ±0.20 (.008)	2.50 (.098) ±0.20 (.008)		0.50 (0.02) ±0.25 (.010)		
1812	4532	4.50 (.177) ±0.30 (.012)	3.20 (.126) ±0.30 (.012)		0.60 (.024) ±0.35 (.014)		



Dimensions – Millimeters (Inches) – Flexible Termination

Case Size (in.)	Case Size (mm)	L Length	W Width	T Thickness	B Bandwidth	S Separation Minimum	Mounting Technique
0603	1608	1.60 (.064) ±0.17 (.007)	0.80 (.032) ±0.15 (.006)	See Table Above	0.45 (.018) ±0.15 (.006)	0.58 (.023)	Solder Wave or Solder Reflow
0805	2012	2.00 (.079) ±0.20 (.008)	1.25 (.049) ±0.20 (.008)		0.50 (0.02) ±0.25 (.010)	0.75 (.030)	
1206	3216	3.30 (.130) ±0.40 (.016)	1.60 (.063) ±0.20 (.008)		0.60 (.024) ±0.25 (.010)	N/A	Solder Reflow Only
1210	3225	3.30 (.130) ±0.40 (.016)	2.50 (.098) ±0.20 (.008)		0.60 (.024) ±0.25 (.010)		
1812	4532	4.50 (.178) ±0.40 (.016)	3.20 (.126) ±0.30 (.012)		0.70 (.028) ±0.35 (.014)		



www.kemet.com/flex