



Chipsmall Limited consists of a professional team with an average of over 10 year of expertise in the distribution of electronic components. Based in Hongkong, we have already established firm and mutual-benefit business relationships with customers from,Europe,America and south Asia,supplying obsolete and hard-to-find components to meet their specific needs.

With the principle of “Quality Parts,Customers Priority,Honest Operation,and Considerate Service”,our business mainly focus on the distribution of electronic components. Line cards we deal with include Microchip,ALPS,ROHM,Xilinx,Pulse,ON,Everlight and Freescale. Main products comprise IC,Modules,Potentiometer,IC Socket,Relay,Connector.Our parts cover such applications as commercial,industrial, and automotives areas.

We are looking forward to setting up business relationship with you and hope to provide you with the best service and solution. Let us make a better world for our industry!



Contact us

Tel: +86-755-8981 8866 Fax: +86-755-8427 6832

Email & Skype: info@chipsmall.com Web: www.chipsmall.com

Address: A1208, Overseas Decoration Building, #122 Zhenhua RD., Futian, Shenzhen, China

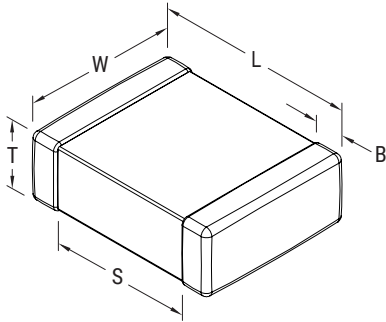


High Temperature 200°C COG Dielectric, Low to Medium Voltage (25 – 200 VDC)

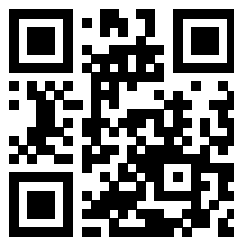
Sample Kit Contents

KEMET Part Number	Case Size	Capacitance	Cap Tolerance	Rated Voltage	T Thickness	Dielectric	Quantity
	EIA/Metric		%	VDC	mm		
C0402H561J1GACTU	0402/1005	560 pF	±5	100	0.50 ±0.05	COG	100
C0402H102J1GACTU	0402/1005	1000 pF	±5	100	0.50 ±0.05	COG	100
C0402H152J5GACTU	0402/1005	1500 pF	±5	50	0.50 ±0.05	COG	100
C0603H102J1GACTU	0603/1608	1000 pF	±5	100	0.80 ±0.07	COG	50
C0603H222J1GACTU	0603/1608	2200 pF	±5	100	0.80 ±0.07	COG	50
C0603H103J3GACTU	0603/1608	10000 pF	±5	25	0.80 ±0.07	COG	50
C0805H102J2GACTU	0805/2012	1000 pF	±5	200	0.90 ±0.10	COG	50
C0805H103J1GACTU	0805/2012	10000 pF	±5	100	0.90 ±0.10	COG	50
C0805H333J3GACTU	0805/2012	33000 pF	±5	25	1.25 ±0.15	COG	50
C1206H271J2GACTU	1206/3216	270 pF	±5	200	0.78 ±0.10	COG	50
C1206H272J2GACTU	1206/3216	2700 pF	±5	200	0.90 ±0.10	COG	50
C1206H103J1GACTU	1206/3216	10000 pF	±5	100	0.78 ±0.10	COG	50
C1206H473J1GACTU	1206/3216	47000 pF	±5	100	1.60 ±0.20	COG	50
C1206H823J5GACTU	1206/3216	82000 pF	±5	50	1.60 ±0.20	COG	50
C1206H104J3GACTU	1206/3216	0.10 µF	±5	25	1.60 ±0.20	COG	50
C1210H102J1GACTU	1210/3225	1000 pF	±5	100	0.78 ±0.10	COG	50
C1210H332J2GACTU	1210/3225	3300 pF	±5	200	1.10 ±0.10	COG	50
C1210H562J2GACTU	1210/3225	5600 pF	±5	200	1.25 ±0.15	COG	50
C1210H103J1GACTU	1210/3225	10000 pF	±5	100	1.10 ±0.10	COG	50
C1210H104J1GACTU	1210/3225	0.10 µF	±5	100	1.70 ±0.20	COG	50
C1210H154J5GACTU	1210/3225	0.15 µF	±5	50	1.70 ±0.20	COG	50
C1812H154J1GACTU	1812/4532	0.15 µF	±5	100	1.70 ±0.20	COG	25
C1812H224J5GACTU	1812/4532	0.22 µF	±5	50	1.60 ±0.20	COG	25
C2220H474J5GACTU	2220/5650	0.47 µF	±5	50	2.20 ±0.15	COG	25

Dimensions – Millimeters (Inches)



Case Size (in.)	Case Size (mm)	L Length	W Width	T Thickness	B Bandwidth	S Separation Minimum	Mounting Technique
0402	1005	1.00 (0.040) ±0.05 (0.002)	0.50 (0.020) ±0.05 (0.002)	See Table Above	0.30 (0.012) ±0.10 (0.004)	0.30 (0.012)	Solder Reflow Only
0603	1608	1.60 (0.063) ±0.15 (0.006)	0.80 (0.032) ±0.15 (0.006)		0.35 (0.014) ±0.15 (0.006)	0.70 (0.028)	Solder Wave or Solder Reflow
0805	2012	2.00 (0.079) ±0.20 (0.008)	1.25 (0.049) ±0.20 (0.008)		0.50 (0.02) ±0.25 (0.010)	0.75 (0.030)	
1206	3216	3.20 (0.126) ±0.20 (0.008)	1.60 (0.063) ±0.20 (0.008)		0.50 (0.02) ±0.25 (0.010)	N/A	Solder Reflow Only
1210	3225	3.20 (0.126) ±0.20 (0.008)	2.50 (0.098) ±0.20 (0.008)		0.50 (0.02) ±0.25 (0.010)		
1812	4532	4.50 (0.177) ±0.30 (0.012)	3.20 (0.126) ±0.30 (0.012)		0.60 (0.024) ±0.35 (0.014)		
2220	5650	5.70 (0.224) ±0.40 (0.016)	5.00 (0.197) ±0.40 (0.016)		0.60 (0.024) ±0.35 (0.014)		



www.kemet.com/HT-COG