



Chipsmall Limited consists of a professional team with an average of over 10 year of expertise in the distribution of electronic components. Based in Hongkong, we have already established firm and mutual-benefit business relationships with customers from,Europe,America and south Asia,supplying obsolete and hard-to-find components to meet their specific needs.

With the principle of “Quality Parts,Customers Priority,Honest Operation,and Considerate Service”,our business mainly focus on the distribution of electronic components. Line cards we deal with include Microchip,ALPS,ROHM,Xilinx,Pulse,ON,Everlight and Freescale. Main products comprise IC,Modules,Potentiometer,IC Socket,Relay,Connector.Our parts cover such applications as commercial,industrial, and automotives areas.

We are looking forward to setting up business relationship with you and hope to provide you with the best service and solution. Let us make a better world for our industry!



Contact us

Tel: +86-755-8981 8866 Fax: +86-755-8427 6832

Email & Skype: info@chipsmall.com Web: www.chipsmall.com

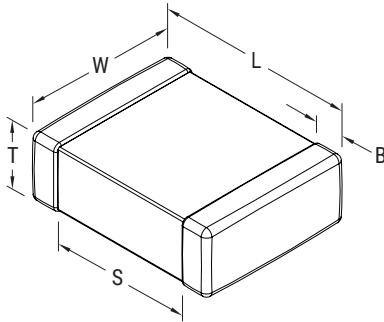
Address: A1208, Overseas Decoration Building, #122 Zhenhua RD., Futian, Shenzhen, China



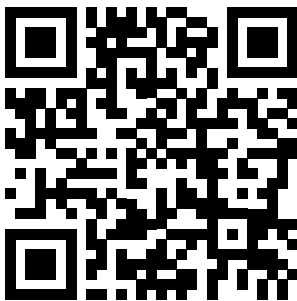
Sample Kit Contents

KEMET Part Number	Case Size	Capacitance	Cap Tolerance	Rated Voltage	T Thickness	Dielectric	Quantity
	EIA/Metric		%	VDC	mm		
C0805X101KDRACTU	0805/2012	100 pF	±10	1000	1.25 ±0.15	X7R	50
C0805C272KDRACTU	0805/2012	272 pF	±10	1000	1.25 ±0.15	X7R	50
C0805C102KDRACTU	0805/2012	1000 pF	±10	1000	1.25 ±0.15	X7R	50
C0805X472KDRACTU	0805/2012	4700 pF	±10	1000	1.25 ±0.15	X7R	50
C0805X822KBRACTU	0805/2012	8200 pF	±10	630	1.25 ±0.15	X7R	50
C0805X123KCRACTU	0805/2012	12000 pF	±10	500	1.25 ±0.15	X7R	50
C1206C102KGRACTU	1206/3216	1000 pF	±10	2000	1.60 ±0.15	X7R	50
C1206C472KDRACTU	1206/3216	4700 pF	±10	1000	1.20 ±0.15	X7R	50
C1206C682KFRACTU	1206/3216	6800 pF	±10	1500	1.20 ±0.15	X7R	50
C1206X103KFRACTU	1206/3216	10000 pF	±10	1500	1.60 ±0.15	X7R	50
C1206C333KBRACTU	1206/3216	33000 pF	±10	630	1.70 ±0.20	X7R	50
C1206X683KCRACTU	1206/3216	68000 pF	±10	500	1.70 ±0.20	X7R	50
C1210C682KGRACTU	1210/3225	6800 pF	±10	2000	2.50 ±0.30	X7R	50
C1210X393KFRACTU	1210/3225	39000 pF	±10	1500	2.50 ±0.30	X7R	50
C1808C102KHRACTU	1808/4520	1000 pF	±10	3000	2.00 ±0.15	X7R	50
C1808X472KGRACTU	1808/4520	4700 pF	±10	2000	2.00 ±0.15	X7R	50
C1812C103KGRACTU	1812/4532	10000 pF	±10	2000	2.50 ±0.20	X7R	25
C1812X334KCRACTU	1812/4532	0.33 µF	±10	500	2.10 ±0.20	X7R	25
C1825X153KGRACTU	1825/4564	15000 pF	±10	2000	2.50 ±0.20	X7R	25
C1825C104KDRACTU	1825/4564	0.10 µF	±10	1000	2.50 ±0.20	X7R	25
C2220C103KHRACTU	2220/5650	10000 pF	±10	3000	2.00 ±0.20	X7R	25
C2220X104KDRACTU	2220/5650	0.10 µF	±10	1000	2.50 ±0.20	X7R	25
C2225C273KGRACTU	2225/5664	27000 pF	±10	2000	2.50 ±0.20	X7R	25
C2225X154KDRACTU	2225/5664	0.15 µF	±10	1000	2.50 ±0.20	X7R	25

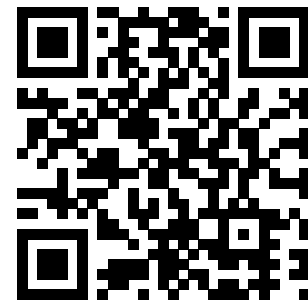
Dimensions – Millimeters (Inches)



Case Size (in.)	Case Size (mm)	L Length	W Width	T Thickness	B Bandwidth	S Separation Minimum	Mounting Technique
0805	2012	2.00 (0.079) ±0.20 (0.008)	1.25 (0.049) ±0.20 (0.008)	See Table Above	0.50 (0.02) ±0.25 (0.010)	0.75 (0.030)	Solder Wave or Solder Reflow
1206	3216	3.20 (0.126) ±0.20 (0.008)	1.60 (0.063) ±0.20 (0.008)		0.50 (0.02) ±0.25 (0.010)	N/A	
1210	3225	3.20 (0.126) ±0.20 (0.008)	2.50 (0.098) ±0.20 (0.008)		0.50 (0.02) ±0.25 (0.010)		Solder Reflow Only
1808	4520	4.70 (0.185) ±0.50 (0.020)	2.00 (0.079) ±0.20 (0.008)		0.60 (0.024) ±0.35 (0.014)		
1812	4532	4.50 (0.177) ±0.30 (0.012)	3.20 (0.126) ±0.30 (0.012)		0.60 (0.024) ±0.35 (0.014)		
1825	4564	4.50 (0.177) ±0.30 (0.012)	6.40 (0.252) ±0.40 (0.016)		0.60 (0.024) ±0.35 (0.014)		
2220	5650	5.70 (0.224) ±0.40 (0.016)	5.00 (0.197) ±0.40 (0.016)		0.60 (0.024) ±0.35 (0.014)		
2225	5664	5.60 (0.220) ±0.40 (0.016)	6.40 (0.248) ±0.40 (0.016)		0.60 (0.024) ±0.35 (0.014)		



www.kemet.com/FTCAP-X7R-HV-Auto



www.kemet.com/X7R-HV-Auto