



Chipsmall Limited consists of a professional team with an average of over 10 year of expertise in the distribution of electronic components. Based in Hongkong, we have already established firm and mutual-benefit business relationships with customers from,Europe,America and south Asia,supplying obsolete and hard-to-find components to meet their specific needs.

With the principle of “Quality Parts,Customers Priority,Honest Operation,and Considerate Service”,our business mainly focus on the distribution of electronic components. Line cards we deal with include Microchip,ALPS,ROHM,Xilinx,Pulse,ON,Everlight and Freescale. Main products comprise IC,Modules,Potentiometer,IC Socket,Relay,Connector.Our parts cover such applications as commercial,industrial, and automotives areas.

We are looking forward to setting up business relationship with you and hope to provide you with the best service and solution. Let us make a better world for our industry!



## Contact us

Tel: +86-755-8981 8866 Fax: +86-755-8427 6832

Email & Skype: info@chipsmall.com Web: www.chipsmall.com

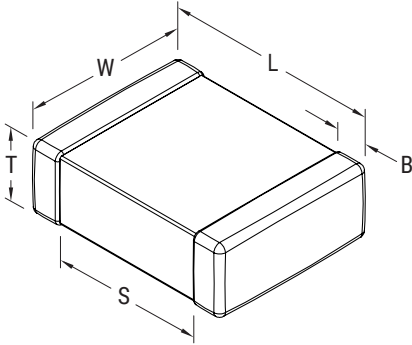
Address: A1208, Overseas Decoration Building, #122 Zhenhua RD., Futian, Shenzhen, China



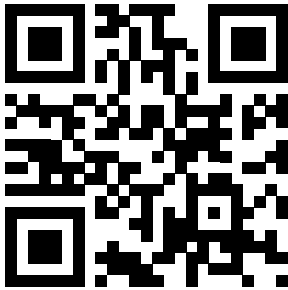
## Sample Kit Contents

KEMET Part Number	Case Size	Capacitance	Cap Tolerance	Rated Voltage	T Thickness	Dielectric	Quantity
	EIA/Metric		%	VDC	mm		
C0402C100J3GACTU	0402/1005	10 pF	±5	25	0.50 ±0.05	C0G	100
C0402C100J5GACTU	0402/1005	10 pF	±5	50	0.50 ±0.05	C0G	100
C0402C220J3GACTU	0402/1005	22 pF	±5	25	0.50 ±0.05	C0G	100
C0402C220J5GACTU	0402/1005	22 pF	±5	50	0.50 ±0.05	C0G	100
C0402C121J5GACTU	0402/1005	120 pF	±5	50	0.50 ±0.05	C0G	100
C0402C181K4GACTU	0402/1005	180 pF	±10	16	0.50 ±0.05	C0G	100
C0402C181J5GACTU	0402/1005	180 pF	±5	50	0.50 ±0.05	C0G	100
C0402C271J5GACTU	0402/1005	270 pF	±5	50	0.50 ±0.05	C0G	100
C0402C102J5GACTU	0402/1005	1000 pF	±5	50	0.50 ±0.05	C0G	100
C0402C102J1GACTU	0402/1005	1000 pF	±5	100	0.50 ±0.05	C0G	100
C0402C220K4RACTU	0402/1005	22 pF	±10	16	0.50 ±0.05	X7R	100
C0402C181K4RACTU	0402/1005	180 pF	±10	16	0.50 ±0.05	X7R	100
C0402C271K5RACTU	0402/1005	270 pF	±10	50	0.50 ±0.05	X7R	100
C0402C102K5RACTU	0402/1005	1000 pF	±10	50	0.50 ±0.05	X7R	100
C0402C103K4RACTU	0402/1005	10000 pF	±10	16	0.50 ±0.05	X7R	100
C0402C103K5RACTU	0402/1005	10000 pF	±10	50	0.50 ±0.05	X7R	100
C0402C683K4RACTU	0402/1005	68000 pF	±10	16	0.50 ±0.05	X7R	100
C0402C823K4RACTU	0402/1005	82000 pF	±10	16	0.50 ±0.05	X7R	100
C0402C104K8RACTU	0402/1005	0.10 µF	±10	10	0.50 ±0.05	X7R	100
C0402C104K4RACTU	0402/1005	0.10 µF	±10	16	0.50 ±0.05	X7R	100
C0402C103K4PACTU	0402/1005	10000 pF	±10	16	0.50 ±0.05	X5R	100
C0402C683K8PACTU	0402/1005	68000 pF	±10	10	0.50 ±0.05	X5R	100
C0402C823K8PACTU	0402/1005	82000 pF	±10	10	0.50 ±0.05	X5R	100
C0402C104K8PACTU	0402/1005	0.10 µF	±10	10	0.50 ±0.05	X5R	100
C0402C104K4PACTU	0402/1005	0.10 µF	±10	16	0.50 ±0.05	X5R	100
C0402C104M4PACTU	0402/1005	0.10 µF	±20	16	0.50 ±0.05	X5R	100
C0402C224K9PACTU	0402/1005	0.22 µF	±10	6.3	0.50 ±0.05	X5R	100
C0402C474K9PACTU	0402/1005	0.47 µF	±10	6.3	0.50 ±0.05	X5R	100
C0402C105K9PACTU	0402/1005	1.0 µF	±10	6.3	0.50 ±0.05	X5R	100
C0402C225M9PACTU	0402/1005	2.2 µF	±20	6.3	0.50 ±0.05	X5R	100

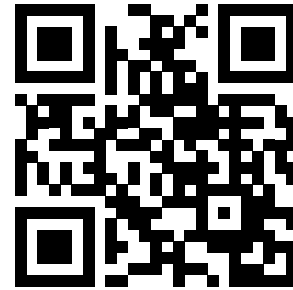
## Dimensions – Millimeters (Inches)



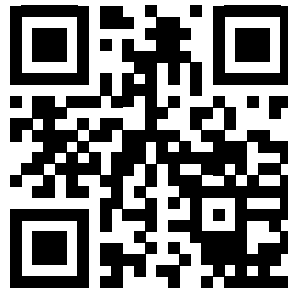
Case Size (in.)	Case Size (mm)	L Length	W Width	T Thickness	B Bandwidth	S Separation Minimum	Mounting Technique
0402	1005	1.00 (.040) ±0.05 (.002)	0.50 (.020) ±0.05 (.002)	See Table Above	0.30 (.012) ±0.10 (.004)	0.30 (.012)	Solder Reflow Only



[www.kemet.com/COG](http://www.kemet.com/COG)



[www.kemet.com/X7R](http://www.kemet.com/X7R)



[www.kemet.com/X5R](http://www.kemet.com/X5R)