



Chipsmall Limited consists of a professional team with an average of over 10 year of expertise in the distribution of electronic components. Based in Hongkong, we have already established firm and mutual-benefit business relationships with customers from,Europe,America and south Asia,supplying obsolete and hard-to-find components to meet their specific needs.

With the principle of “Quality Parts,Customers Priority,Honest Operation,and Considerate Service”,our business mainly focus on the distribution of electronic components. Line cards we deal with include Microchip,ALPS,ROHM,Xilinx,Pulse,ON,Everlight and Freescale. Main products comprise IC,Modules,Potentiometer,IC Socket,Relay,Connector.Our parts cover such applications as commercial,industrial, and automotives areas.

We are looking forward to setting up business relationship with you and hope to provide you with the best service and solution. Let us make a better world for our industry!



## Contact us

Tel: +86-755-8981 8866 Fax: +86-755-8427 6832

Email & Skype: info@chipsmall.com Web: www.chipsmall.com

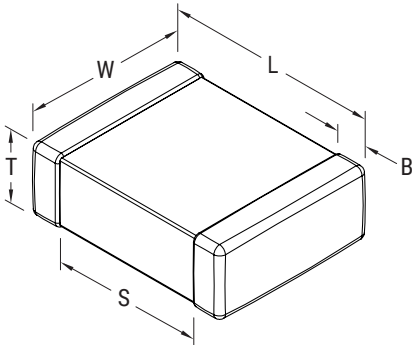
Address: A1208, Overseas Decoration Building, #122 Zhenhua RD., Futian, Shenzhen, China



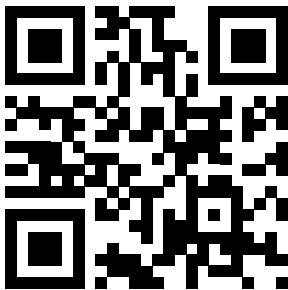
## Sample Kit Contents

KEMET Part Number	Case Size	Capacitance	Cap Tolerance	Rated Voltage	T Thickness	Dielectric	Quantity
	EIA/Metric		%	VDC	mm		
C0603C100J5GACTU	0603/1608	10 pF	±5	50	0.80 ±0.07	C0G	50
C0603C100J1GACTU	0603/1608	10 pF	±5	100	0.80 ±0.07	C0G	50
C0603C220J5GACTU	0603/1608	22 pF	±5	50	0.80 ±0.07	C0G	50
C0603C121J5GACTU	0603/1608	120 pF	±5	50	0.80 ±0.07	C0G	50
C0603C181J5GACTU	0603/1608	180 pF	±5	50	0.80 ±0.07	C0G	50
C0603C271J5GACTU	0603/1608	270 pF	±5	50	0.80 ±0.07	C0G	50
C0603C102J3GACTU	0603/1608	1000 pF	±5	25	0.80 ±0.07	C0G	50
C0603C102J5GACTU	0603/1608	1000 pF	±5	50	0.80 ±0.07	C0G	50
C0603C103G8GACTU	0603/1608	10000 pF	±2	10	0.80 ±0.07	C0G	50
C0603C103J3GACTU	0603/1608	10000 pF	±5	25	0.80 ±0.07	C0G	50
C0603C181K5RACTU	0603/1608	180 pF	±10	50	0.80 ±0.07	X7R	50
C0603C102K5RACTU	0603/1608	1000 pF	±10	50	0.80 ±0.07	X7R	50
C0603C102K1RACTU	0603/1608	1000 pF	±10	100	0.80 ±0.07	X7R	50
C0603C103K5RACTU	0603/1608	10000 pF	±10	50	0.80 ±0.07	X7R	50
C0603C683K4RACTU	0603/1608	68000 pF	±10	16	0.80 ±0.07	X7R	50
C0603C104K3RACTU	0603/1608	0.10 µF	±10	25	0.80 ±0.07	X7R	50
C0603C104K5RACTU	0603/1608	0.10 µF	±10	50	0.80 ±0.07	X7R	50
C0603C224K4RACTU	0603/1608	0.22 µF	±10	16	0.80 ±0.07	X7R	50
C0603C474K4RACTU	0603/1608	0.47 µF	±10	16	0.80 ±0.07	X7R	50
C0603C105K4RACTU	0603/1608	1.0 µF	±10	16	0.80 ±0.10	X7R	50
C0603C104K3PACTU	0603/1608	0.10 µF	±10	25	0.80 ±0.10	X5R	50
C0603C474K8PACTU	0603/1608	0.47 µF	±10	10	0.80 ±0.10	X5R	50
C0603C474K4PACTU	0603/1608	0.47 µF	±10	16	0.80 ±0.10	X5R	50
C0603C105K9PACTU	0603/1608	1.0 µF	±10	6.3	0.80 ±0.10	X5R	50
C0603C105K4PACTU	0603/1608	1.0 µF	±10	16	0.80 ±0.10	X5R	50
C0603C225K9PACTU	0603/1608	2.2 µF	±10	6.3	0.80 ±0.10	X5R	50
C0603C225M8PACTU	0603/1608	2.2 µF	±20	10	0.80 ±0.10	X5R	50
C0603C225K4PACTU	0603/1608	2.2 µF	±10	16	0.80 ±0.10	X5R	50
C0603C335M9PACTU	0603/1608	3.3 µF	±20	6.3	0.80 ±0.10	X5R	50
C0603C106M9PACTU	0603/1608	10 µF	±20	6.3	0.80 ±0.10	X5R	50

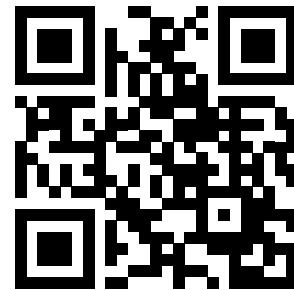
## Dimensions – Millimeters (Inches)



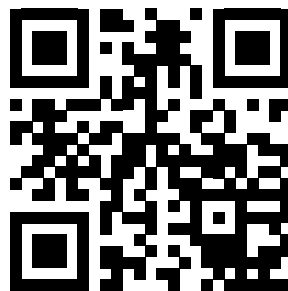
Case Size (in.)	Case Size (mm)	L Length	W Width	T Thickness	B Bandwidth	S Separation Minimum	Mounting Technique
0603	1608	1.60 (0.063) ±0.15 (0.006)	0.80 (0.032) ±0.15 (0.006)	See Table Above	0.35 (0.014) ±0.15 (0.006)	0.70 (0.028)	Solder Wave or Solder Reflow



[www.kemet.com/COG](http://www.kemet.com/COG)



[www.kemet.com/X7R](http://www.kemet.com/X7R)



[www.kemet.com/X5R](http://www.kemet.com/X5R)