



Chipsmall Limited consists of a professional team with an average of over 10 year of expertise in the distribution of electronic components. Based in Hongkong, we have already established firm and mutual-benefit business relationships with customers from,Europe,America and south Asia,supplying obsolete and hard-to-find components to meet their specific needs.

With the principle of “Quality Parts,Customers Priority,Honest Operation,and Considerate Service”,our business mainly focus on the distribution of electronic components. Line cards we deal with include Microchip,ALPS,ROHM,Xilinx,Pulse,ON,Everlight and Freescale. Main products comprise IC,Modules,Potentiometer,IC Socket,Relay,Connector.Our parts cover such applications as commercial,industrial, and automotives areas.

We are looking forward to setting up business relationship with you and hope to provide you with the best service and solution. Let us make a better world for our industry!



Contact us

Tel: +86-755-8981 8866 Fax: +86-755-8427 6832

Email & Skype: info@chipsmall.com Web: www.chipsmall.com

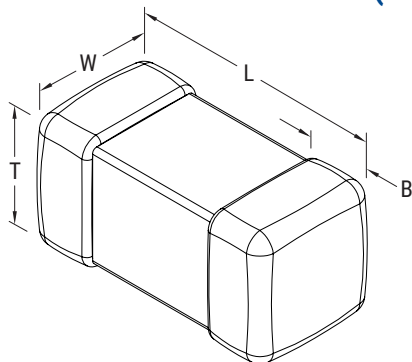
Address: A1208, Overseas Decoration Building, #122 Zhenhua RD., Futian, Shenzhen, China



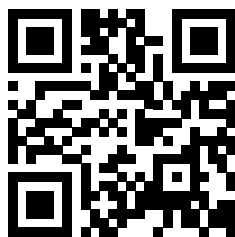
Sample Kit Contents

KEMET Part Number	Case Size	Capacitance	Cap Tolerance	Rated Voltage	Dielectric	Quantity
	EIA/Metric	pF	%	VDC		
CBR08C308BCGAC	0805/2012	0.3	±0.1	500	COG	50
CBR08C408BCGAC	0805/2012	0.4	±0.1	500	COG	50
CBR08C508BCGAC	0805/2012	0.5	±0.1	500	COG	50
CBR08C608BCGAC	0805/2012	0.6	±0.1	500	COG	50
CBR08C708BCGAC	0805/2012	0.7	±0.1	500	COG	50
CBR08C808BCGAC	0805/2012	0.8	±0.1	500	COG	50
CBR08C908BCGAC	0805/2012	0.9	±0.1	500	COG	50
CBR08C109BCGAC	0805/2012	1.0	±0.1	500	COG	50
CBR08C129BCGAC	0805/2012	1.2	±0.1	500	COG	50
CBR08C159BCGAC	0805/2012	1.5	±0.1	500	COG	50
CBR08C189BCGAC	0805/2012	1.8	±0.1	500	COG	50
CBR08C209BCGAC	0805/2012	2.0	±0.1	500	COG	50
CBR08C229BCGAC	0805/2012	2.2	±0.1	500	COG	50
CBR08C279BCGAC	0805/2012	2.7	±0.1	500	COG	50
CBR08C309BCGAC	0805/2012	3.0	±0.1	500	COG	50
CBR08C339BCGAC	0805/2012	3.3	±0.1	500	COG	50
CBR08C399BCGAC	0805/2012	3.9	±0.1	500	COG	50
CBR08C409BCGAC	0805/2012	4.0	±0.1	500	COG	50
CBR08C479BCGAC	0805/2012	4.7	±0.1	500	COG	50
CBR08C509CCGAC	0805/2012	5.0	±0.25	500	COG	50
CBR08C569CCGAC	0805/2012	5.6	±0.25	500	COG	50
CBR08C609BCGAC	0805/2012	6.0	±0.1	500	COG	50
CBR08C689CCGAC	0805/2012	6.8	±0.25	500	COG	50
CBR08C709CCGAC	0805/2012	7.0	±0.25	500	COG	50
CBR08C809BCGAC	0805/2012	8.0	±0.1	500	COG	50
CBR08C829BCGAC	0805/2012	8.2	±0.1	500	COG	50
CBR08C909CCGAC	0805/2012	9.0	±0.25	500	COG	50
CBR08C100JCGAC	0805/2012	10	±5	500	COG	50
CBR08C120JCGAC	0805/2012	12	±5	500	COG	50
CBR08C150JCGAC	0805/2012	15	±5	500	COG	50
CBR08C180JCGAC	0805/2012	18	±5	500	COG	50
CBR08C220JCGAC	0805/2012	22	±5	500	COG	50
CBR08C270JCGAC	0805/2012	27	±5	500	COG	50
CBR08C330JCGAC	0805/2012	33	±5	500	COG	50
CBR08C390JCGAC	0805/2012	39	±5	500	COG	50
CBR08C470JCGAC	0805/2012	47	±5	500	COG	50
CBR08C560JCGAC	0805/2012	56	±5	500	COG	50
CBR08C680JCGAC	0805/2012	68	±5	500	COG	50
CBR08C820JAGAC	0805/2012	82	±5	250	COG	50
CBR08C101JAGAC	0805/2012	100	±5	250	COG	50

Dimensions – Millimeters (Inches)



Case Size (in.)	Case Size (mm)	L Length	W Width	T Thickness	B Bandwidth	Mounting Technique
0805	2012	2.00±0.20 (0.079±0.008)	1.25±0.20 (0.049±0.008)	0.85±0.10 (0.031±0.004)	0.50±0.20 (0.020±0.008)	Solder Wave or Solder Reflow



www.kemet.com/cbr