



Chipsmall Limited consists of a professional team with an average of over 10 year of expertise in the distribution of electronic components. Based in Hongkong, we have already established firm and mutual-benefit business relationships with customers from,Europe,America and south Asia,supplying obsolete and hard-to-find components to meet their specific needs.

With the principle of “Quality Parts,Customers Priority,Honest Operation,and Considerate Service”,our business mainly focus on the distribution of electronic components. Line cards we deal with include Microchip,ALPS,ROHM,Xilinx,Pulse,ON,Everlight and Freescale. Main products comprise IC,Modules,Potentiometer,IC Socket,Relay,Connector.Our parts cover such applications as commercial,industrial, and automotives areas.

We are looking forward to setting up business relationship with you and hope to provide you with the best service and solution. Let us make a better world for our industry!



Contact us

Tel: +86-755-8981 8866 Fax: +86-755-8427 6832

Email & Skype: info@chipsmall.com Web: www.chipsmall.com

Address: A1208, Overseas Decoration Building, #122 Zhenhua RD., Futian, Shenzhen, China



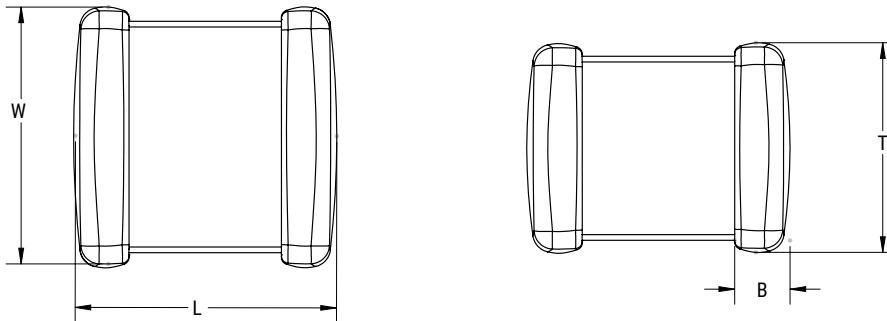
Ultra HiQ-CBR Squared Series, 0505 Case Size

High Power (0.4 – 2.0 pF)

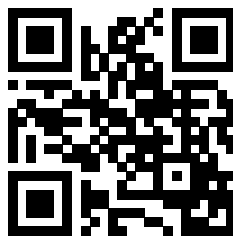
Sample Kit Contents

KEMET Part Number	Case Size	Capacitance	Capacitance Tolerance	Rated Voltage	Dielectric	Quantity
	EIA/Metric	pF	%	VDC		
CBR05C408BAGAC	0505/1414	0.4	±0.10	250	COG	50
CBR05C508BAGAC	0505/1414	0.5	±0.10	250	COG	50
CBR05C608BAGAC	0505/1414	0.6	±0.10	250	COG	50
CBR05C708BAGAC	0505/1414	0.7	±0.10	250	COG	50
CBR05C808BAGAC	0505/1414	0.8	±0.10	250	COG	50
CBR05C908BAGAC	0505/1414	0.9	±0.10	250	COG	50
CBR05C109BAGAC	0505/1414	1.0	±0.10	250	COG	50
CBR05C119BAGAC	0505/1414	1.1	±0.10	250	COG	50
CBR05C129BAGAC	0505/1414	1.2	±0.10	250	COG	50
CBR05C139BAGAC	0505/1414	1.3	±0.10	250	COG	50
CBR05C149BAGAC	0505/1414	1.4	±0.10	250	COG	50
CBR05C159BAGAC	0505/1414	1.5	±0.10	250	COG	50
CBR05C169BAGAC	0505/1414	1.6	±0.10	250	COG	50
CBR05C179BAGAC	0505/1414	1.7	±0.10	250	COG	50
CBR05C189BAGAC	0505/1414	1.8	±0.10	250	COG	50
CBR05C199BAGAC	0505/1414	1.9	±0.10	250	COG	50
CBR05C209BAGAC	0505/1414	2.0	±0.10	250	COG	50

Dimensions – Millimeters (Inches)



Case Size (in.)	Case Size (mm)	L Length	W Width	T Thickness	B Bandwidth	Mounting Technique
0505	1414	1.40+0.38/-0.25 (0.055+0.015/-0.01)	1.40±0.38 (0.055±0.015)	1.15±0.15 (0.045±0.006)	0.25+0.25-0.13 (0.010+0.010-0.005)	Solder Reflow Only



www.kemet.com/rf