



Chipsmall Limited consists of a professional team with an average of over 10 year of expertise in the distribution of electronic components. Based in Hongkong, we have already established firm and mutual-benefit business relationships with customers from,Europe,America and south Asia,supplying obsolete and hard-to-find components to meet their specific needs.

With the principle of “Quality Parts,Customers Priority,Honest Operation,and Considerate Service”,our business mainly focus on the distribution of electronic components. Line cards we deal with include Microchip,ALPS,ROHM,Xilinx,Pulse,ON,Everlight and Freescale. Main products comprise IC,Modules,Potentiometer,IC Socket,Relay,Connector.Our parts cover such applications as commercial,industrial, and automotives areas.

We are looking forward to setting up business relationship with you and hope to provide you with the best service and solution. Let us make a better world for our industry!



## Contact us

Tel: +86-755-8981 8866 Fax: +86-755-8427 6832

Email & Skype: info@chipsmall.com Web: www.chipsmall.com

Address: A1208, Overseas Decoration Building, #122 Zhenhua RD., Futian, Shenzhen, China



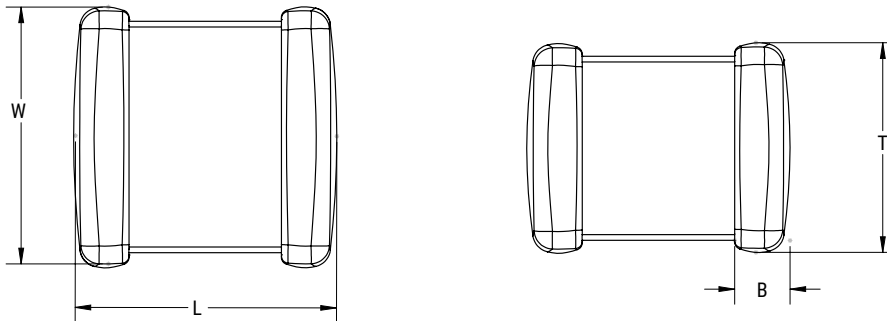
# Ultra HiQ-CBR Squared Series, 0505 Case Size

## High Power (1.0 – 10 pF)

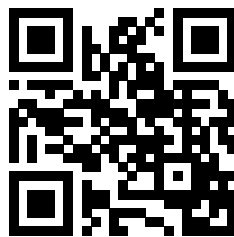
### Sample Kit Contents

KEMET Part Number	Case Size	Capacitance	Capacitance Tolerance	Rated Voltage	Dielectric	Quantity
	EIA/Metric	pF	%	VDC		
CBR05C109BAGAC	0505/1414	1.0	±0.10	250	COG	50
CBR05C129BAGAC	0505/1414	1.2	±0.10	250	COG	50
CBR05C159BAGAC	0505/1414	1.5	±0.10	250	COG	50
CBR05C189BAGAC	0505/1414	1.8	±0.10	250	COG	50
CBR05C209BAGAC	0505/1414	2.0	±0.10	250	COG	50
CBR05C229BAGAC	0505/1414	2.2	±0.10	250	COG	50
CBR05C249BAGAC	0505/1414	2.4	±0.10	250	COG	50
CBR05C279BAGAC	0505/1414	2.7	±0.10	250	COG	50
CBR05C309BAGAC	0505/1414	3.0	±0.10	250	COG	50
CBR05C339BAGAC	0505/1414	3.3	±0.10	250	COG	50
CBR05C399BAGAC	0505/1414	3.9	±0.10	250	COG	50
CBR05C479BAGAC	0505/1414	4.7	±0.10	250	COG	50
CBR05C519CAGAC	0505/1414	5.1	±0.25	250	COG	50
CBR05C569CAGAC	0505/1414	5.6	±0.25	250	COG	50
CBR05C689CAGAC	0505/1414	6.8	±0.25	250	COG	50
CBR05C829CAGAC	0505/1414	8.2	±0.25	250	COG	50
CBR05C100JAGAC	0505/1414	10	±5	250	COG	50

### Dimensions – Millimeters (Inches)



Case Size (in.)	Case Size (mm)	L Length	W Width	T Thickness	B Bandwidth	Mounting Technique
0505	1414	1.40+0.38/-0.25 (0.055+0.015/-0.01)	1.40±0.38 (0.055±0.015)	1.15±0.15 (0.045±0.006)	0.25+0.25-0.13 (0.010+0.010-0.005)	Solder Reflow Only



[www.kemet.com/rf](http://www.kemet.com/rf)