



Chipsmall Limited consists of a professional team with an average of over 10 year of expertise in the distribution of electronic components. Based in Hongkong, we have already established firm and mutual-benefit business relationships with customers from,Europe,America and south Asia,supplying obsolete and hard-to-find components to meet their specific needs.

With the principle of “Quality Parts,Customers Priority,Honest Operation,and Considerate Service”,our business mainly focus on the distribution of electronic components. Line cards we deal with include Microchip,ALPS,ROHM,Xilinx,Pulse,ON,Everlight and Freescale. Main products comprise IC,Modules,Potentiometer,IC Socket,Relay,Connector.Our parts cover such applications as commercial,industrial, and automotives areas.

We are looking forward to setting up business relationship with you and hope to provide you with the best service and solution. Let us make a better world for our industry!



Contact us

Tel: +86-755-8981 8866 Fax: +86-755-8427 6832

Email & Skype: info@chipsmall.com Web: www.chipsmall.com

Address: A1208, Overseas Decoration Building, #122 Zhenhua RD., Futian, Shenzhen, China



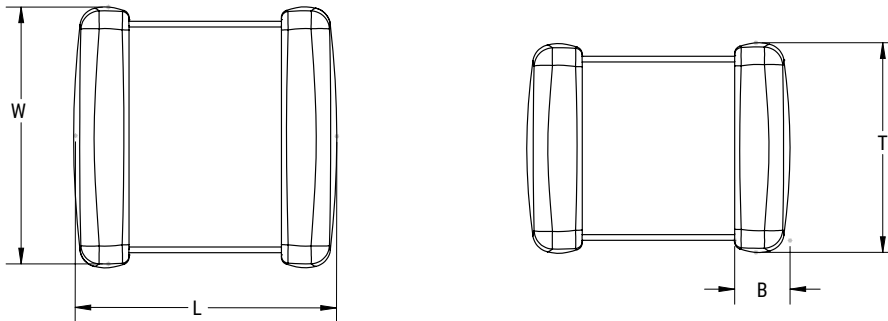
Ultra HiQ-CBR Squared Series, 0505 Case Size

High Power (10 – 100 pF)

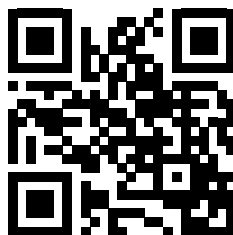
Sample Kit Contents

KEMET Part Number	Case Size	Capacitance	Capacitance Tolerance	Rated Voltage	Dielectric	Quantity
	EIA/Metric	pF	%	VDC		
CBR05C100JAGAC	0505/1414	10	±5	250	COG	50
CBR05C110JAGAC	0505/1414	11	±5	250	COG	50
CBR05C120JAGAC	0505/1414	12	±5	250	COG	50
CBR05C150JAGAC	0505/1414	15	±5	250	COG	50
CBR05C150JAGAC	0505/1414	15	±5	250	COG	50
CBR05C180JAGAC	0505/1414	18	±5	250	COG	50
CBR05C200JAGAC	0505/1414	20	±5	250	COG	50
CBR05C220JAGAC	0505/1414	22	±5	250	COG	50
CBR05C240JAGAC	0505/1414	24	±5	250	COG	50
CBR05C270JAGAC	0505/1414	27	±5	250	COG	50
CBR05C330JAGAC	0505/1414	33	±5	250	COG	50
CBR05C390JAGAC	0505/1414	39	±5	250	COG	50
CBR05C470JAGAC	0505/1414	47	±5	250	COG	50
CBR05C560JAGAC	0505/1414	56	±5	250	COG	50
CBR05C680JAGAC	0505/1414	68	±5	250	COG	50
CBR05C820JAGAC	0505/1414	82	±5	250	COG	50
CBR05C101JAGAC	0505/1414	100	±5	250	COG	50

Dimensions – Millimeters (Inches)



Case Size (in.)	Case Size (mm)	L Length	W Width	T Thickness	B Bandwidth	Mounting Technique
0505	1414	1.40+0.38/-0.25 (0.055+0.015/-0.01)	1.40±0.38 (0.055±0.015)	1.15±0.15 (0.045±0.006)	0.25+0.25-0.13 (0.010+0.010-0.005)	Solder Reflow Only



www.kemet.com/rf