



Chipsmall Limited consists of a professional team with an average of over 10 year of expertise in the distribution of electronic components. Based in Hongkong, we have already established firm and mutual-benefit business relationships with customers from,Europe,America and south Asia,supplying obsolete and hard-to-find components to meet their specific needs.

With the principle of “Quality Parts,Customers Priority,Honest Operation,and Considerate Service”,our business mainly focus on the distribution of electronic components. Line cards we deal with include Microchip,ALPS,ROHM,Xilinx,Pulse,ON,Everlight and Freescale. Main products comprise IC,Modules,Potentiometer,IC Socket,Relay,Connector.Our parts cover such applications as commercial,industrial, and automotives areas.

We are looking forward to setting up business relationship with you and hope to provide you with the best service and solution. Let us make a better world for our industry!



Contact us

Tel: +86-755-8981 8866 Fax: +86-755-8427 6832

Email & Skype: info@chipsmall.com Web: www.chipsmall.com

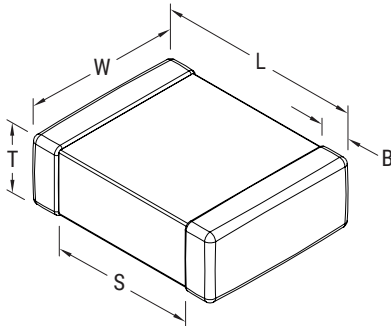
Address: A1208, Overseas Decoration Building, #122 Zhenhua RD., Futian, Shenzhen, China



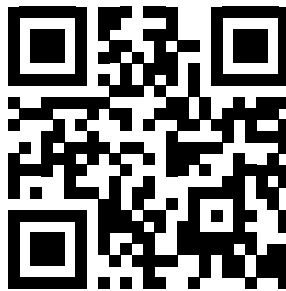
Sample Kit Contents

KEMET Part Number	Case Size	Capacitance	Cap Tolerance	Rated Voltage	T Thickness	Dielectric	Quantity
	EIA/Metric		%	VDC	mm		
C0402C222J3JAC	0402/1005	2,200 pF	±5	25	0.50 ± 0.05	U2J	100
C0402C182J5JAC	0402/1005	1,800 pF	±5	50	0.50 ± 0.05	U2J	100
C0402C102J5JAC	0402/1005	1,000 pF	±5	50	0.50 ± 0.05	U2J	100
C0402C132J8JAC	0402/1005	1,300 pF	±5	10	0.50 ± 0.05	U2J	100
C0402C152J8JAC	0402/1005	1,500 pF	±5	10	0.50 ± 0.05	U2J	100
C0402C182J8JAC	0402/1005	1,800 pF	±5	10	0.50 ± 0.05	U2J	100
C0402C202J8JAC	0402/1005	2,000 pF	±5	10	0.50 ± 0.05	U2J	100
C0402C222J8JAC	0402/1005	2,200 pF	±5	10	0.50 ± 0.05	U2J	100
C0603X103F5JAC	0603/1608	10,000 pF	±1	50	0.80 ± 0.07	U2J	50
C0603X103G5JAC	0603/1608	10,000 pF	±2	50	0.80 ± 0.07	U2J	50
C0603X103J8JAC	0603/1608	10,000 pF	±5	10	0.80 ± 0.07	U2J	50
C0603X182J5JAC	0603/1608	1,800 pF	±5	50	0.80 ± 0.07	U2J	50
C0603X332G5JAC	0603/1608	3,300 pF	±2	50	0.80 ± 0.07	U2J	50
C0603X392J5JAC	0603/1608	3,900 pF	±5	50	0.80 ± 0.07	U2J	50
C0603X432J5JAC	0603/1608	4,300 pF	±5	50	0.80 ± 0.07	U2J	50
C0603X472F5JAC	0603/1608	4,700 pF	±1	50	0.80 ± 0.07	U2J	50
C0603X512J5JAC	0603/1608	5,100 pF	±5	50	0.80 ± 0.07	U2J	50
C0603X752J5JAC	0603/1608	7,500 pF	±5	50	0.80 ± 0.07	U2J	50
C0603X822F5JAC	0603/1608	8,200 pF	±1	50	0.80 ± 0.07	U2J	50
C0603X822J5JAC	0603/1608	8,200 pF	±5	50	0.80 ± 0.07	U2J	50
C0603X912J5JAC	0603/1608	9,100 pF	±5	50	0.80 ± 0.07	U2J	50
C0603C153J3JAC	0603/1608	15,000 pF	±5	25	0.80 ± 0.07	U2J	50
C0603C103J5JAC	0603/1608	10,000 pF	±5	50	0.80 ± 0.07	U2J	50
C0805C563J3JAC	0805/2012	56,000 pF	±5	25	1.25 ± 0.15	U2J	50
C0805C473J5JAC	0805/2012	47,000 pF	±5	50	1.25 ± 0.15	U2J	50
C0805C333J5JAC	0805/2012	33,000 pF	±5	50	1.25 ± 0.15	U2J	50
C0805C223J5JAC	0805/2012	22,000 pF	±5	50	0.90 ± 0.10	U2J	50
C1206C224J3JAC	1206/3216	220,000 pF	±5	25	1.60 ± 0.20	U2J	50
C1206C154J5JAC	1206/3216	150,000 pF	±5	50	1.60 ± 0.20	U2J	50
C1206C104J5JAC	1206/3216	100,000 pF	±5	50	1.20 ± 0.15	U2J	50
C1206C473J5JAC	1206/3216	47,000 pF	±5	50	0.78 ± 0.10	U2J	50
C1210C334J3JAC	1210/3225	330,000 pF	±5	25	1.70 ± 0.20	U2J	50
C1210C274J5JAC	1210/3225	270,000 pF	±5	50	1.70 ± 0.20	U2J	50
C1210C224J5JAC	1210/3225	220,000 pF	±5	50	1.55 ± 0.15	U2J	50
C1210C104J5JAC	1210/3225	100,000 pF	±5	50	0.90 ± 0.10	U2J	50

Dimensions – Millimeters (Inches)



EIA Size Code	Metric Size Code	L Length	W Width	T Thickness	B Bandwidth	S Separation Minimum	Mounting Technique
0402	1005	1.00 (0.040) ±0.05 (0.002)	0.50 (0.020) ±0.05 (0.002)	See Sample Kit Contents table for Thickness	0.30 (0.012) ±0.10 (0.004)	0.30 (0.012)	Solder reflow only
0603	1608	1.60 (0.063) ±0.15 (0.006)	0.80 (0.032) ±0.15 (0.006)		0.35 (0.014) ±0.15 (0.006)	0.70 (0.028)	Solder wave or Solder reflow
0805	2012	2.00 (0.079) ±0.20 (0.008)	1.25 (0.049) ±0.20 (0.008)		0.50 (0.02) ±0.25 (0.010)	0.75 (0.030)	
1206	3216	3.20 (0.126) ±0.20 (0.008)	1.60 (0.063) ±0.20 (0.008)		0.50 (0.02) ±0.25 (0.010)	N/A	Solder reflow only
1210	3225	3.20 (0.126) ±0.20 (0.008)	2.50 (0.098) ±0.20 (0.008)		0.50 (0.02) ±0.25 (0.010)		
1812	4532	4.50 (0.177) ±0.30 (0.012)	3.20 (0.126) ±0.30 (0.012)		0.60 (0.024) ±0.35 (0.014)		



www.kemet.com/U2J