



Chipsmall Limited consists of a professional team with an average of over 10 year of expertise in the distribution of electronic components. Based in Hongkong, we have already established firm and mutual-benefit business relationships with customers from,Europe,America and south Asia,supplying obsolete and hard-to-find components to meet their specific needs.

With the principle of "Quality Parts,Customers Priority,Honest Operation,and Considerate Service",our business mainly focus on the distribution of electronic components. Line cards we deal with include Microchip,ALPS,ROHM,Xilinx,Pulse,ON,Everlight and Freescale. Main products comprise IC,Modules,Potentiometer,IC Socket,Relay,Connector.Our parts cover such applications as commercial,industrial, and automotives areas.

We are looking forward to setting up business relationship with you and hope to provide you with the best service and solution. Let us make a better world for our industry!



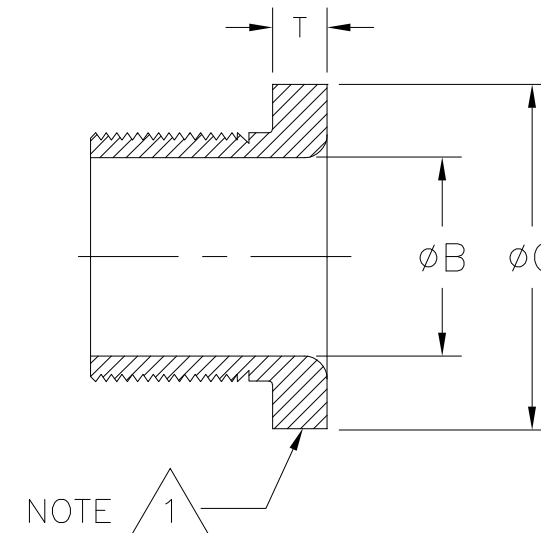
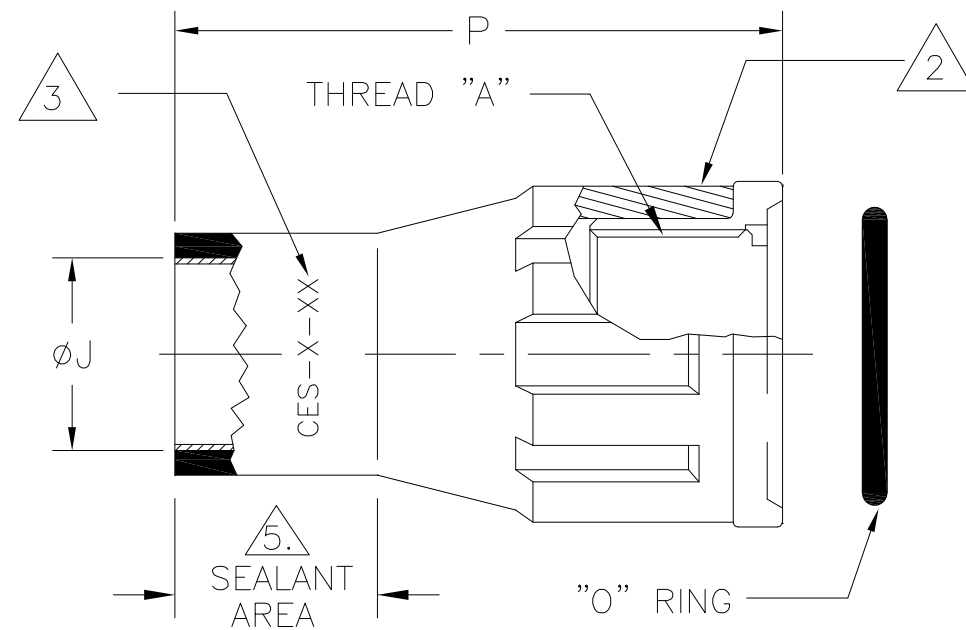
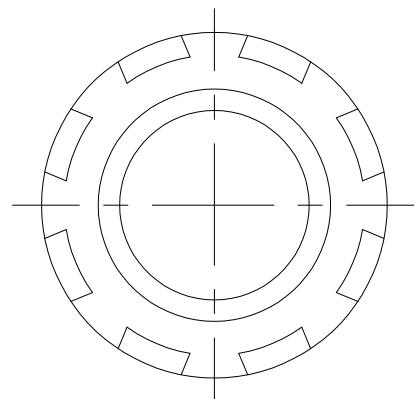
## Contact us

Tel: +86-755-8981 8866 Fax: +86-755-8427 6832

Email & Skype: info@chipsmall.com Web: www.chipsmall.com

Address: A1208, Overseas Decoration Building, #122 Zhenhua RD., Futian, Shenzhen, China





REVISIONS		
LTR	DESCRIPTION	DATE
G1	REVISED PER ECO-11-005139	29MAR11

PART DESCRIPTION	"A" THREAD	øB ±.02	øC REF	øJ		P REF REC	T REF	PANEL THK 4
				MIN EXP	MAX REC			
CES-1-XX	1-12 UNF	.75 [19,05]	1.40 [35,56]	.50 [12,7]	.16 [4,07]	2.45 [62,23]	.21 [5,34]	1/4 [6,35]
CES-2-XX	1-12 UNF	.75 [19,05]	1.40 [35,56]	.75 [19,05]	.25 [6,35]	2.45 [62,23]	.21 [5,34]	1/4 [6,35]
CES-3-XX	1 3/8-12 UNF	1.10 [27,94]	1.90 [48,26]	1.20 [30,48]	.50 [12,7]	3.55 [90,17]	.31 [7,88]	3/8 [9,65]
CES-4-XX	2-8 UN	1.56 [39,62]	2.70 [68,58]	1.60 [40,64]	.75 [19,05]	3.85 [97,79]	.31 [7,88]	1/2 [12,7]
CES-5-XX	3 3/8-8 UN	2.90 [73,66]	4.10 [104,14]	2.75 [70,48]	1.38 [35,06]	7.50 [190,50]	.31 [7,88]	3/4 [19,05]

**NOTES:**

- THE LAST TWO "X's" IN THE PART NUMBER DESIGNATE MATERIAL AS SHOWN BELOW:  
 "AL": ALUMINUM 6061-T6 WITH FINISH OF HARD ANODIZE PER MIL-A-8625F, TYPE III, CLASS 2, DYED BLACK.  
 "SS": STAINLESS STEEL TYPE 316, WITH FINISH OF PASSIVATE PER ASTM-A967.  
 FOR STANDARD BLACK NYLON MATERIAL, OMIT THE LAST TWO "X's" IN THE PART NO.
- HEAT SHRINKABLE BOOT MATERIAL IN ACCORDANCE WITH -3 POLYOLEFIN
- PART TO BE MARKED AS SHOWN, REPLACE "X's" WITH APPROPRIATE CHARACTERS (e.g. CES-3-AL).
- THIS PART IS DESIGNED TO FIT THROUGH A PANEL OR BULKHEAD WITH A MAXIMUM WALL THICKNESS AS INDICATED IN TABLE.
- FACTORY APPLIED HOT MELT ADHESIVE IS STANDARD.

IF THIS DOCUMENT IS PRINTED IT BECOMES UNCONTROLLED. CHECK FOR THE LATEST REVISION.

**CUSTOMER DRAWING**

UNLESS OTHERWISE SPECIFIED DIMENSIONS ARE INCHES. METRIC DIMENSIONS ARE IN BRACKETS. DECIMAL TOLERANCES .XXX ± 0.005 [ 0.13 mm] .XX ± 0.01 [ 0.25 mm] .X ± 0.1 [ 0.50 mm] ANGLE TOLERANCE .X ± 1 DEG. TE CONNECTIVITY RESERVES THE RIGHT TO AMEND THIS DRAWING AT ANY TIME. USERS SHOULD EVALUATE THE SUITABILITY OF THE PRODUCT FOR THEIR APPLICATION.	REVISED UNGUYEN	DATE 10/27/2008	 TE Connectivity Raychem Molded Parts 305 Constitution Dr Menlo Park, CA 94025
	RPN N/A		
THIRD ANGLE PROJECTION 	SIZE B	CODE IDENT. NO. 06090	DWG. NO. CES-X-XX
© 2003,2011 Tyco Electronics Corporation, a TE connectivity Ltd. company. All rights reserved.		DO NOT SCALE THIS DRAWING	SHEET 1 OF 1