



Chipsmall Limited consists of a professional team with an average of over 10 year of expertise in the distribution of electronic components. Based in Hongkong, we have already established firm and mutual-benefit business relationships with customers from,Europe,America and south Asia,supplying obsolete and hard-to-find components to meet their specific needs.

With the principle of “Quality Parts,Customers Priority,Honest Operation,and Considerate Service”,our business mainly focus on the distribution of electronic components. Line cards we deal with include Microchip,ALPS,ROHM,Xilinx,Pulse,ON,Everlight and Freescale. Main products comprise IC,Modules,Potentiometer,IC Socket,Relay,Connector.Our parts cover such applications as commercial,industrial, and automotives areas.

We are looking forward to setting up business relationship with you and hope to provide you with the best service and solution. Let us make a better world for our industry!



Contact us

Tel: +86-755-8981 8866 Fax: +86-755-8427 6832

Email & Skype: info@chipsmall.com Web: www.chipsmall.com

Address: A1208, Overseas Decoration Building, #122 Zhenhua RD., Futian, Shenzhen, China



CF-LA

High In-Rush Rocker Switches

Simple Dustproof

FUJISOKU SWITCHES



UL

C-US UL

ENEC

RoHS Compliant

Approvals

C-US UL, UL: E43275
ENEC: 1312466

Features

1. High in-rush rocker switch
2. Rush Solder Terminals
3. Five types of terminal (Tab, PC Straight, R/A and L/A)
4. Simple dustproof structure (IP40 rating)
5. C-US UL, UL (TV-8) and ENEC approved products.

Specifications

Rating	Max.	16A125V AC or 16A250V AC (Resistive load)
	Min.	AC/DC5V 10mA
Initial contact resistance	20mΩ max.	
Initial Dielectric strength	1500V AC 1minute.	
Initial insulation resistance	100MΩ min.	
Operating force	1~8N	
Electrical life	20,000 cycles	
Operating temperature range	-25~+85°C	
Storage temperature range	-40~+85°C	

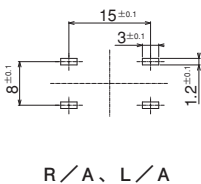
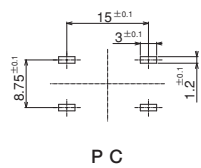
Part Numbering

CF-LA — **2** **K** **Z2** — **1** **C**

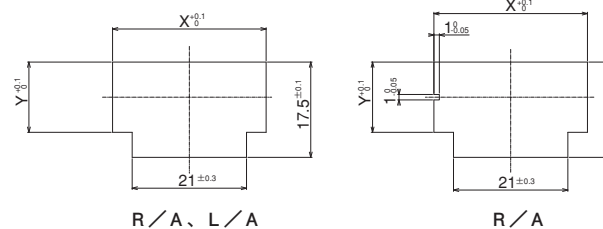
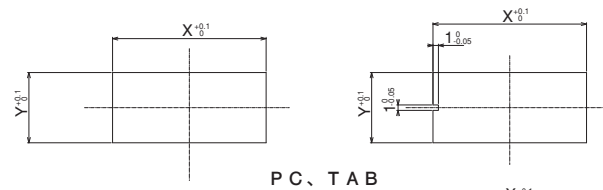
Series code Number of poles Switching function Terminal style Roker design Packaging spec

Fig.	Number of poles	Code	Switching function	Code	Terminal style	Fig.	Roker design	Fig.	Roker design	Code	Packaging spec
1	1 pole	A	ON — OFF	C	PC Straight	1	Unfigured	4	— ⊙	Blank	Plastic bags
2	2 poles	K	ON — OFF	C4	PC-R/A	2	●	5	— ○	C	Card board Tray
				C5	PC-L/A	3	○	6	ON OFF		
				L	Solder Terminals						
				Z2	TAB:#250						

PC Hole Layouts



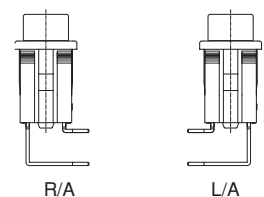
Panel Cut-Out Dimensions



Panel thickness	X	Y
0.75~1.25	28.2	12.9
1.25以上~2	28.4	12.9
2~3	28.8	12.9

Terminal Styles

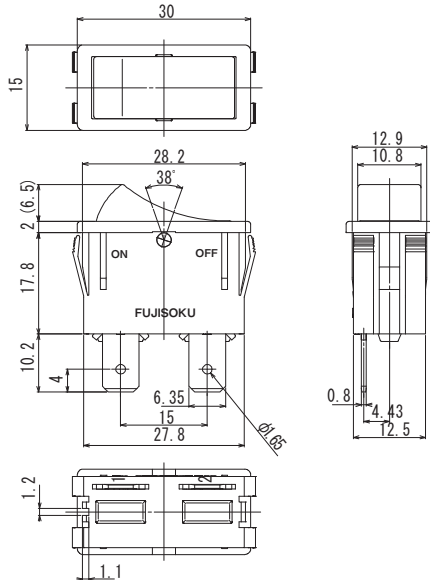
Solder Terminals (Style:L)	TAB#250 (Style:Z2)	PC Straight (Style:C)	R/A (Style:C4) L/A (Style:C5)



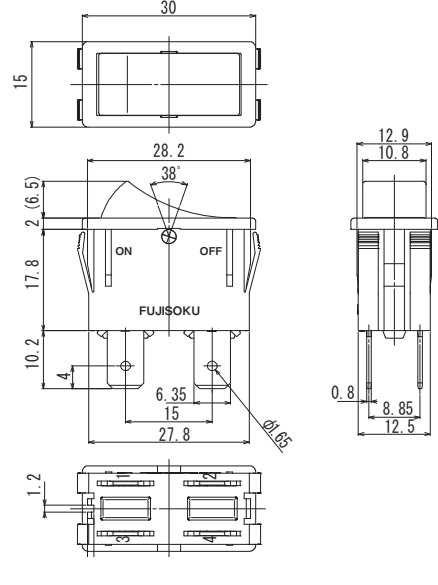
※ For the L/A terminal, only two poles are available.

Outline dimensions

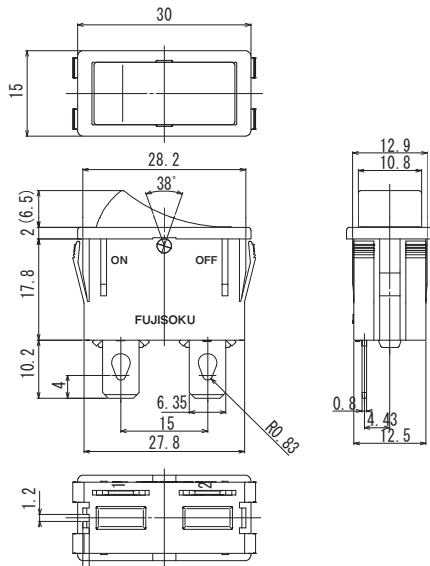
● Tab:#250 1Pole



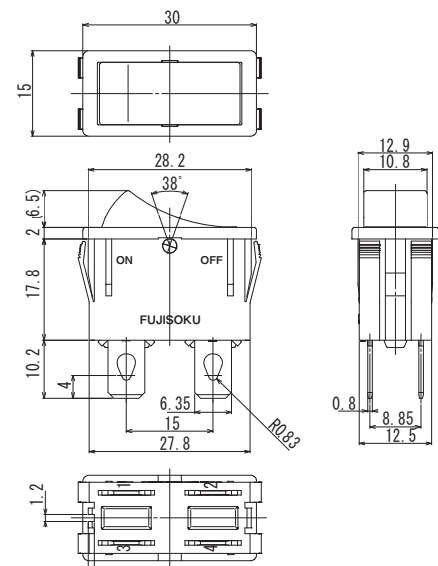
● Tab:#250 2Poles



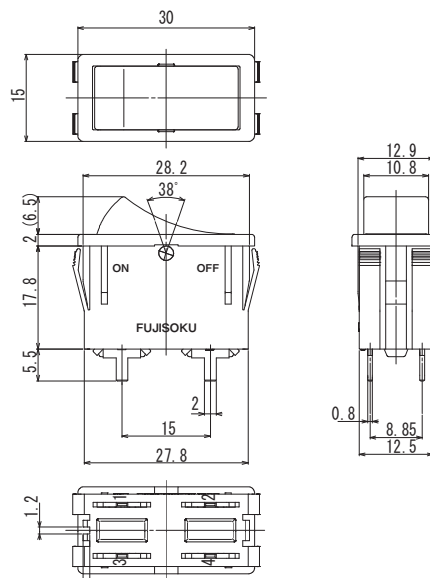
● Solder 1Pole



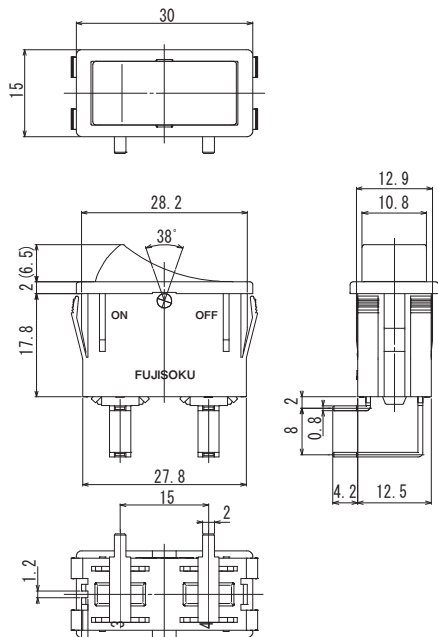
● Solder 2Poles



● P/C 1and2Poles



● PC-R/A 2Poles



List part numbers

Number of poles	Switching function	Terminal style	Rocker design			Pieces in package	Packaging spec				
			No marking	●	○						
1 Pole	ON-OFF	PC Straight	CF-LA-1AC-1C	CF-LA-1AC-2C	CF-LA-1AC-3C	100pcs./pack	Card board Tray				
		PC-R/A	CF-LA-1AC4-1C	CF-LA-1AC4-2C	CF-LA-1AC4-3C						
		Solder Terminals	CF-LA-1AL-1C	CF-LA-1AL-2C	CF-LA-1AL-3C						
		Tab:#250	CF-LA-1AZ2-1C	CF-LA-1AZ2-2C	CF-LA-1AZ2-3C						
2 Poles	ON-OFF	PC Straight	CF-LA-2KC-1C	CF-LA-2KC-2C	CF-LA-2KC-3C			5pcs./pack	Plastic bags		
		PC-R/A	CF-LA-2KC4-1C	CF-LA-2KC4-2C	CF-LA-2KC4-3C						
		PC-L/A	CF-LA-2KC5-1C	CF-LA-2KC5-2C	CF-LA-2KC5-3C						
		Solder Terminals	CF-LA-2KL-1C	CF-LA-2KL-2C	CF-LA-2KL-3C						
1 Pole	ON-OFF	PC Straight	CF-LA-1AC-1	CF-LA-1AC-2	CF-LA-1AC-3					5pcs./pack	Plastic bags
		PC-R/A	CF-LA-1AC4-1	CF-LA-1AC4-2	CF-LA-1AC4-3						
		Solder Terminals	CF-LA-1AL-1	CF-LA-1AL-2	CF-LA-1AL-3						
		Tab:#250	CF-LA-1AZ2-1	CF-LA-1AZ2-2	CF-LA-1AZ2-3						
2 Poles	ON-OFF	PC Straight	CF-LA-2KC-1	CF-LA-2KC-2	CF-LA-2KC-3	5pcs./pack	Plastic bags				
		PC-R/A	CF-LA-2KC4-1	CF-LA-2KC4-2	CF-LA-2KC4-3						
		PC-L/A	CF-LA-2KC5-1	CF-LA-2KC5-2	CF-LA-2KC5-3						
		Solder Terminals	CF-LA-2KL-1	CF-LA-2KL-2	CF-LA-2KL-3						
		Tab:#250	CF-LA-2KZ2-1	CF-LA-2KZ2-2	CF-LA-2KZ2-3			5pcs./pack	Plastic bags		

Number of poles	Switching function	Terminal style	Rocker design			Pieces in package	Packaging spec				
			— ⊖	— ○	ON OFF						
1 Pole	ON-OFF	PC Straight	CF-LA-1AC-4C	CF-LA-1AC-5C	CF-LA-1AC-6C	100pcs./pack	Card board Tray				
		PC-R/A	CF-LA-1AC4-4C	CF-LA-1AC4-5C	CF-LA-1AC4-6C						
		Solder Terminals	CF-LA-1AL-4C	CF-LA-1AL-5C	CF-LA-1AL-6C						
		Tab:#250	CF-LA-1AZ2-4C	CF-LA-1AZ2-5C	CF-LA-1AZ2-6C						
2 Poles	ON-OFF	PC Straight	CF-LA-2KC-4C	CF-LA-2KC-5C	CF-LA-2KC-6C			5pcs./pack	Plastic bags		
		PC-R/A	CF-LA-2KC4-4C	CF-LA-2KC4-5C	CF-LA-2KC4-6C						
		PC-L/A	CF-LA-2KC5-4C	CF-LA-2KC5-5C	CF-LA-2KC5-6C						
		Solder Terminals	CF-LA-2KL-4C	CF-LA-2KL-5C	CF-LA-2KL-6C						
1 Pole	ON-OFF	PC Straight	CF-LA-1AC-4	CF-LA-1AC-5	CF-LA-1AC-6					5pcs./pack	Plastic bags
		PC-R/A	CF-LA-1AC4-4	CF-LA-1AC4-5	CF-LA-1AC4-6						
		Solder Terminals	CF-LA-1AL-4	CF-LA-1AL-5	CF-LA-1AL-6						
		Tab:#250	CF-LA-1AZ2-4	CF-LA-1AZ2-5	CF-LA-1AZ2-6						
2 Poles	ON-OFF	PC Straight	CF-LA-2KC-4	CF-LA-2KC-5	CF-LA-2KC-6	5pcs./pack	Plastic bags				
		PC-R/A	CF-LA-2KC4-4	CF-LA-2KC4-5	CF-LA-2KC4-6						
		PC-L/A	CF-LA-2KC5-4	CF-LA-2KC5-5	CF-LA-2KC5-6						
		Solder Terminals	CF-LA-2KL-4	CF-LA-2KL-5	CF-LA-2KL-6						
		Tab:#250	CF-LA-2KZ2-4	CF-LA-2KZ2-5	CF-LA-2KZ2-6			5pcs./pack	Plastic bags		

Soldering Specifications

(1) Auto Soldering

Device : Jet wave type or dip type
260°C. ; 5-6 seconds, Max.

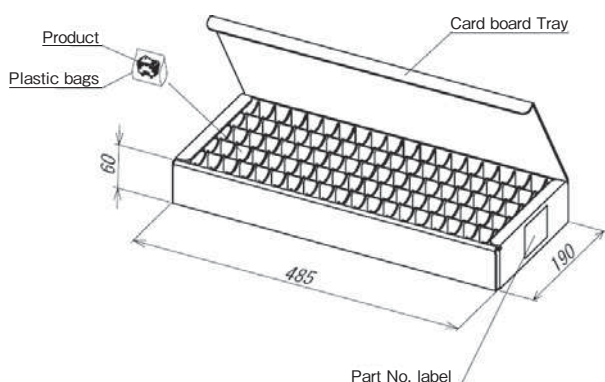
- Pre-heating should be done at temperatures ranging from 80°C to 150°C and within 2 or 3 minutes
The auto soldering is applicable to the PC terminals only.

(2) Manual Soldering

Device : Soldering iron
380°C, Max.; 3 seconds, Max.

Packing Specification

Card board Tray(100pcs. / pack)



Plastic bags (5pcs. / pack)

[Product packaging box]

