



Chipsmall Limited consists of a professional team with an average of over 10 year of expertise in the distribution of electronic components. Based in Hongkong, we have already established firm and mutual-benefit business relationships with customers from,Europe,America and south Asia,supplying obsolete and hard-to-find components to meet their specific needs.

With the principle of "Quality Parts,Customers Priority,Honest Operation,and Considerate Service",our business mainly focus on the distribution of electronic components. Line cards we deal with include Microchip,ALPS,ROHM,Xilinx,Pulse,ON,Everlight and Freescale. Main products comprise IC,Modules,Potentiometer,IC Socket,Relay,Connector.Our parts cover such applications as commercial,industrial, and automotives areas.

We are looking forward to setting up business relationship with you and hope to provide you with the best service and solution. Let us make a better world for our industry!



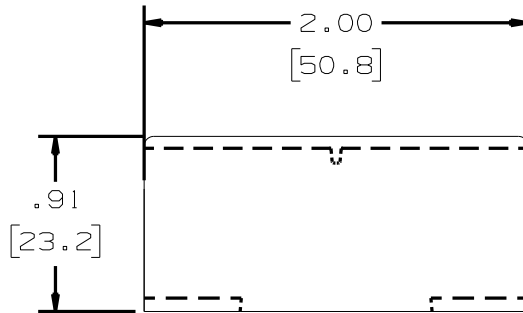
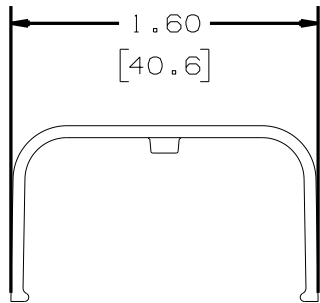
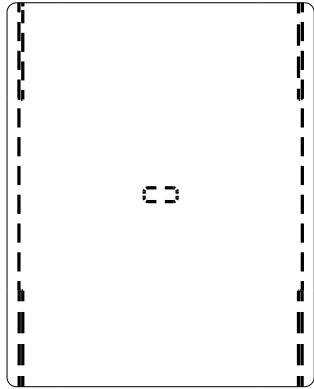
Contact us

Tel: +86-755-8981 8866 Fax: +86-755-8427 6832

Email & Skype: info@chipsmall.com Web: www.chipsmall.com

Address: A1208, Overseas Decoration Building, #122 Zhenhua RD., Futian, Shenzhen, China



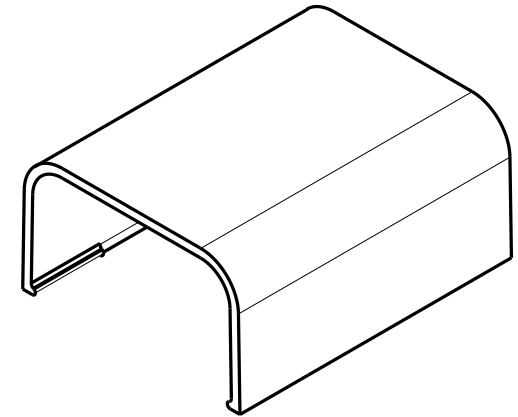


PANDUIT P/N	WEIGHT
CF10	1.30 LB/ 100PCS. (588g/ 100PCS.)



NOTES:

- SEE CURRENT CATALOG FOR ADDITIONAL PART SUFFIXES TO INDICATE COLOR AND OR PACKAGE QUANTITY.
- DIMENSIONS IN PARENTHESIS ARE IN METRIC.



REV	DATE	BY	CHK	DESCRIPTION	ECN	R	CUST	SUP	CAD FILENAME/LAYERS
--	--	--	RELEASED TO PRODUCTION	--	--		D34116BD_DC_CF10_02D.PRT
7	06-09-08	BK	RMH	G. REVISED TO CURRENT CAD STANDARDS DRAWING NUMBER WAS SS-1777B	34116-13		RTF	RTF	<p>PANDUIT CORP. TINLEY PARK, ILLINOIS</p> <p>COUPLER FITTING (CF10)</p> <p>CUSTOMER DRAWING</p> <p>UNLESS OTHERWISE SPECIFIED, DIMENSIONAL TOLERANCES ARE: (.X) ± (.XXX) ± (.XX) ± .031.81 ANGLES ±</p> <p>UNLESS OTHERWISE SPECIFIED, ALL DIMENSIONS ARE GIVEN IN INCHES, THIRD ANGLE PROJECTION.</p> <p>SCALE FULL</p> <p>DRAWING NO. 34116-13</p> <p>DWG SIZE A</p>
6	7-2-02	JHNU	HIW	F. REVISED MATERIAL IN DRAWING TITLE BLOCK.	1777B		HIW	HIW	
5	9-6-00	JHNU	HIW	E. REVISED AND REDRAWN.	1777B		HIW	HIW	
4	10-3-91	DW	CF	D. REV'D NOTE AND REMOVED COLOR FROM DWG.	1777B	4	WJB/CF		
3	2-28-91	DW	CF	C. REV'D COLORS: OMIT BLACK, BEIGE, LIGHT IVORY, AND LIGHT GREY. ADDED INT. WHITE AND INT. GREY	1777B	3	WJB		
2	12-2-87	LDB	WJB	B. ADDED P/N CF10E1 AND CF10L1.	1777B	2	WJB		
1	10-1-84	CEK	HMP	A. REVISED MAT'L.	1777B	1	AJC		
R	11-11-82	SS	HMP	DRAWING RELEASED	1777B	R	JKR		
									DRAWN BY SARGIS DATE 11-5-82 CHK'D JVL MAT'L: ABS F G