



Chipsmall Limited consists of a professional team with an average of over 10 year of expertise in the distribution of electronic components. Based in Hongkong, we have already established firm and mutual-benefit business relationships with customers from,Europe,America and south Asia,supplying obsolete and hard-to-find components to meet their specific needs.

With the principle of “Quality Parts,Customers Priority,Honest Operation,and Considerate Service”,our business mainly focus on the distribution of electronic components. Line cards we deal with include Microchip,ALPS,ROHM,Xilinx,Pulse,ON,Everlight and Freescale. Main products comprise IC,Modules,Potentiometer,IC Socket,Relay,Connector.Our parts cover such applications as commercial,industrial, and automotives areas.

We are looking forward to setting up business relationship with you and hope to provide you with the best service and solution. Let us make a better world for our industry!



Contact us

Tel: +86-755-8981 8866 Fax: +86-755-8427 6832

Email & Skype: info@chipsmall.com Web: www.chipsmall.com

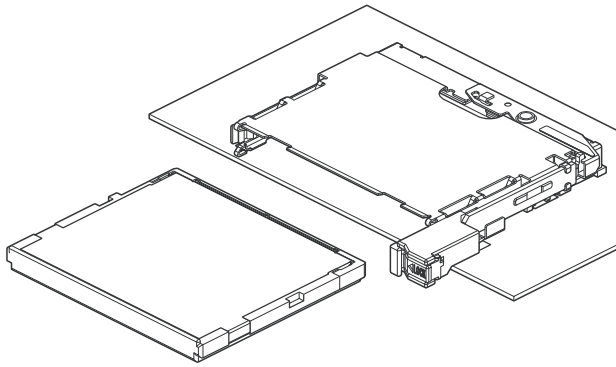
Address: A1208, Overseas Decoration Building, #122 Zhenhua RD., Futian, Shenzhen, China





CFF CONNECTOR

1.27mm pitch/Connector for CFast™ Card Standard



This is the connector for CFast™ Card complying with CFast™ Specification.

- ***Compliant with CFast™ Card Standard***
- ***Stable transmission characteristic***
- ***Card connector with GND spring***
- ***Ejector with slide lock***

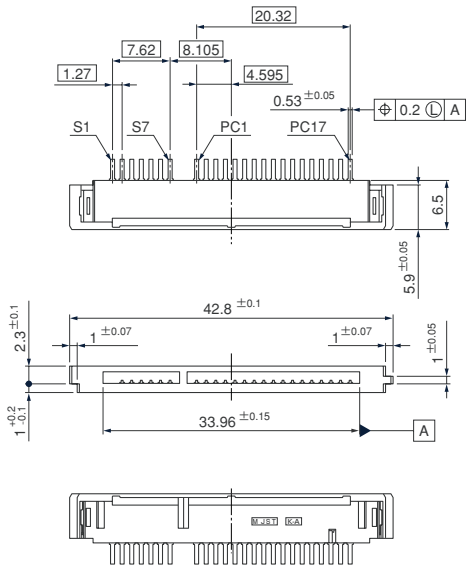
Specifications

- Temperature range: -40°C to +85°C
(including temperature rise in applying electrical current)
 - Contact resistance: Initial value/ 30 mΩ max.
After environmental tests/ 15 mΩ max.
(variation from initial value)
 - Insulation resistance: 1,000 MΩ min. 500 VDC
 - Withstanding voltage: 500 VAC/minute
 - Durability: 10,000 cycles
- * Refer to "General Instruction and Notice when using Terminals and Connectors" at the end of this catalog.
* Contact JST for details.
* Compliant with RoHS.

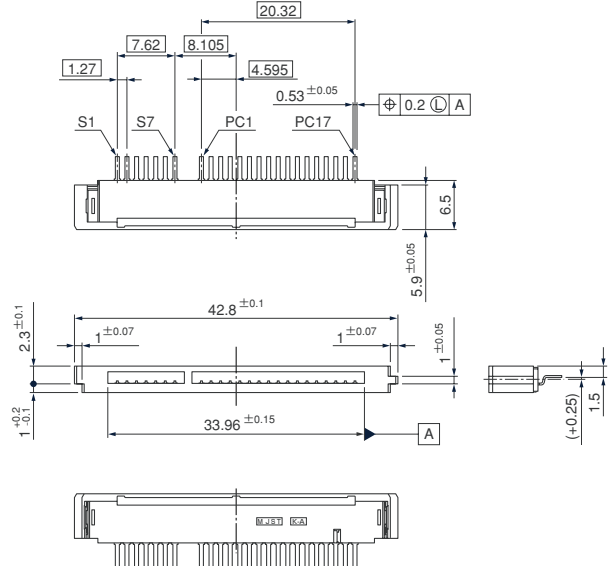
CFF CONNECTOR

Card connector

Offset -0.25 mm (With GND spring)



Offset +0.25 mm (With GND spring)

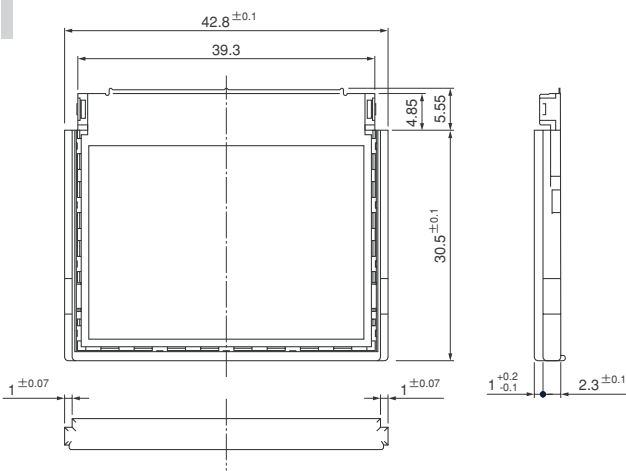


Circuits	Offset dimensions	GND spring	Model No.	Q'ty /reel	Material and Finish
24	-0.25 mm	With	CFF-CC24S-1521-GB25T	1,500	Contact: Copper alloy, nickel-undercoated, Mating part; gold-plated Solder tail; tin-plated (reflow treatment)
	+0.25 mm	With	CFF-CC24S-1521-GT25T	1,500	Grounding spring: Copper alloy, nickel-undercoated, Mating part; gold-plated Housing: Plastic, UL94V-0, black

RoHS compliance This product displays (LF)(SN) on a label.

Top cover for Type I card

Snap-in type



Circuits	Model No.	Q'ty/box
Snap-in type	CFF-FT1S-11FM	1,344

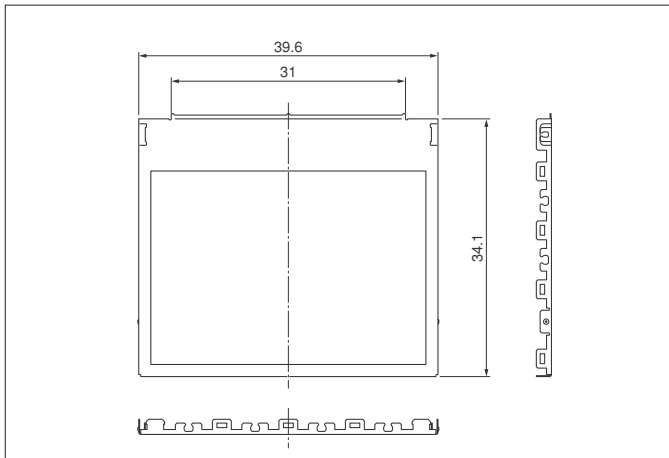
Material

Top cover : Stainless steel, Insulated film: PET
Frame: Plastic, UL94V-0, black

RoHS compliance

CFF CONNECTOR

Bottom cover



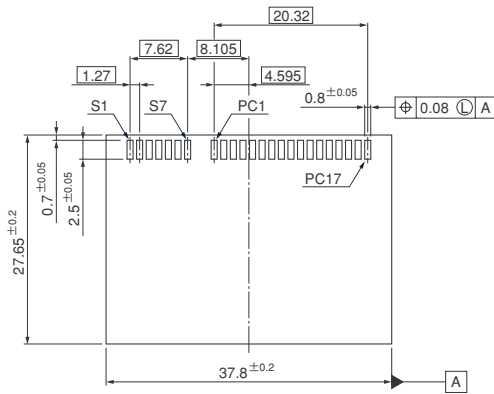
Circuits	Model No.	Q'ty/box
Snap-in type	CFF-FBU-12FM	1,344

Material
Top cover : Stainless steel Insulated film: PET

RoHS compliance

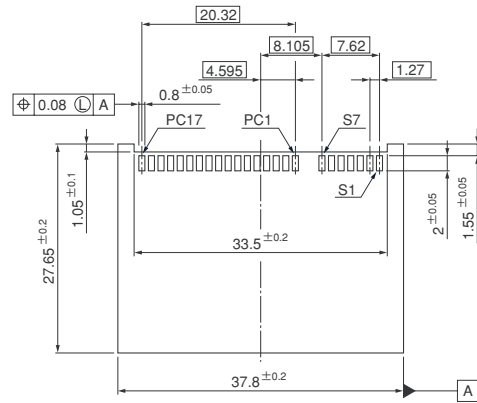
Card connector PC board layout

Offset -0.25 mm



Bottom cover side

Offset +0.25 mm



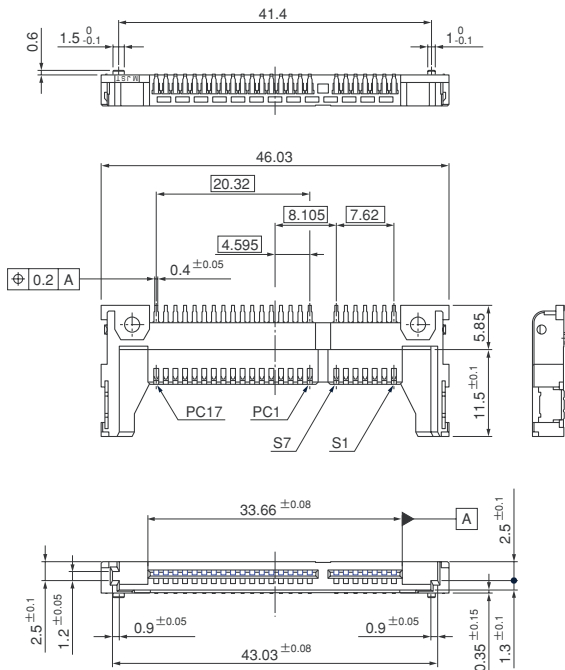
Top cover side

CFF CONNECTOR

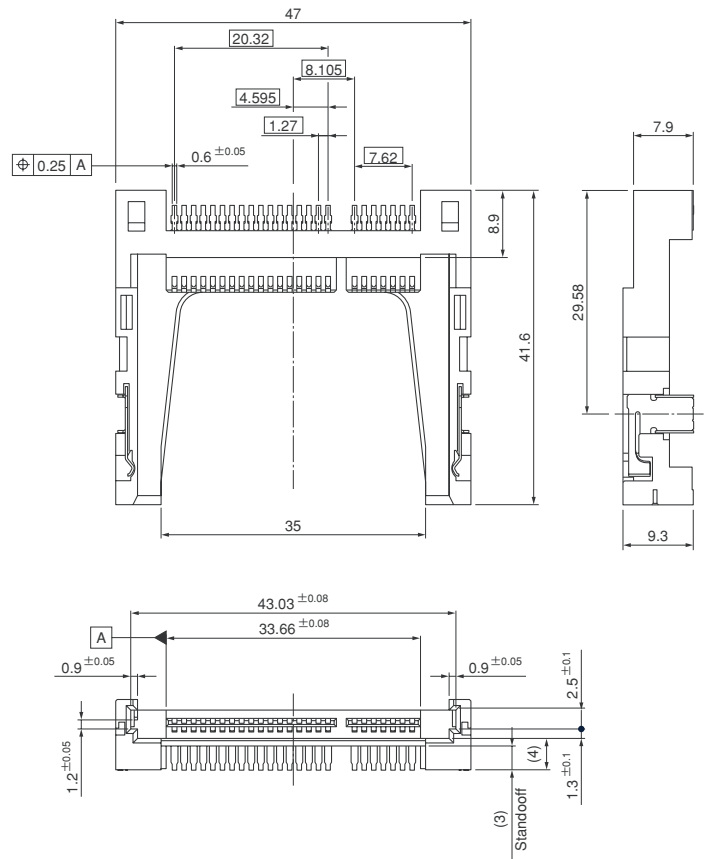
Host connector

Normal type

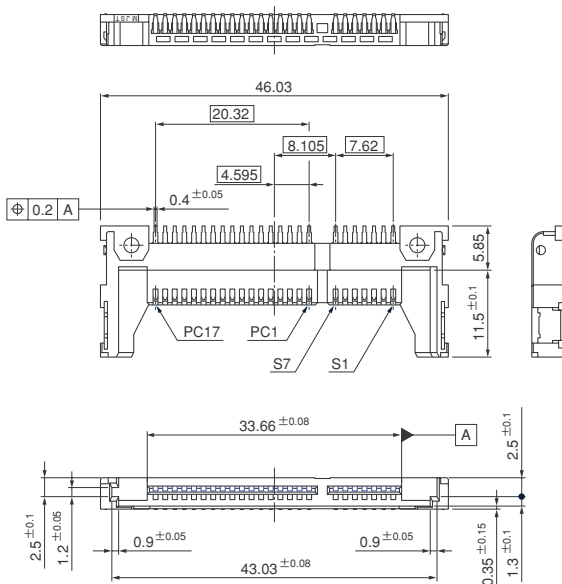
Standoff 0 mm (With boss)



Standoff 3 mm (Without boss)



Standoff 0 mm (Without boss)



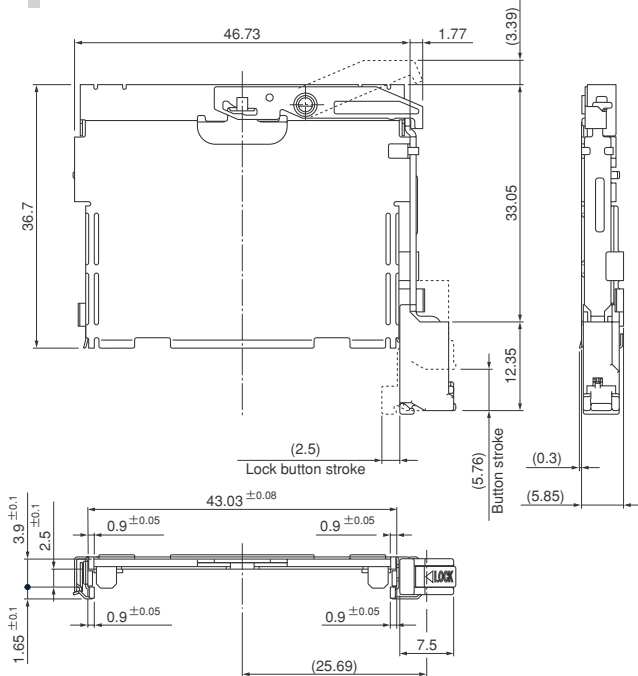
Circuits	Standoff	Boss	Model No.	Q'ty	Material and Finish
24	0 mm	With	CFF-HC24S-S352-N120T	700 (reel)	Contact: Copper alloy, nickel-undercoated, Mating part; gold-plated Solder tail; tin-plated (reflow treatment) Reinforcing: Copper alloy, nickel-undercoated, tin-plated (reflow treatment) Housing: Plastic, UL94V-0, black
			CFF-HC24S-S352-N120T1	100 (reel)	
	3 mm	Without	CFF-HC24S-S352-N130T	700 (reel)	
			CFF-HC24SG-S352-N133A	480 (box)	
			CFF-HC24SG-S352-N133AR1	75 (box)	

RoHS compliance This product displays (LF)(SN) on a label.

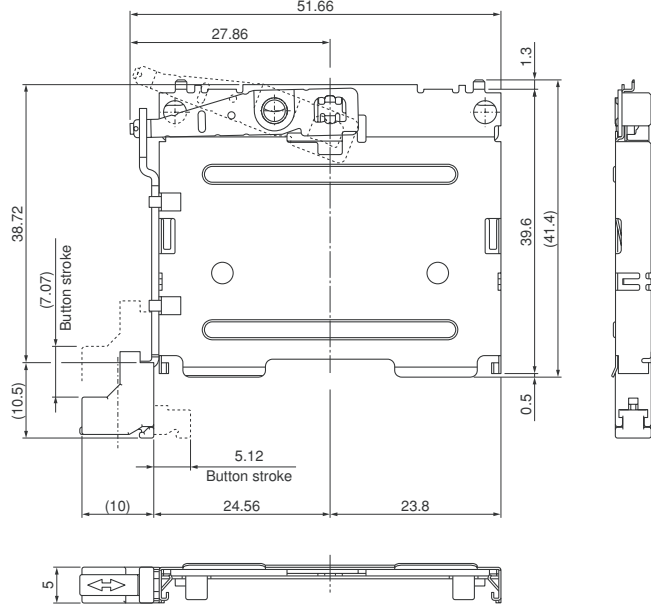
CFF CONNECTOR

Ejector

Normal type Standoff 0 mm



Standoff 3 mm

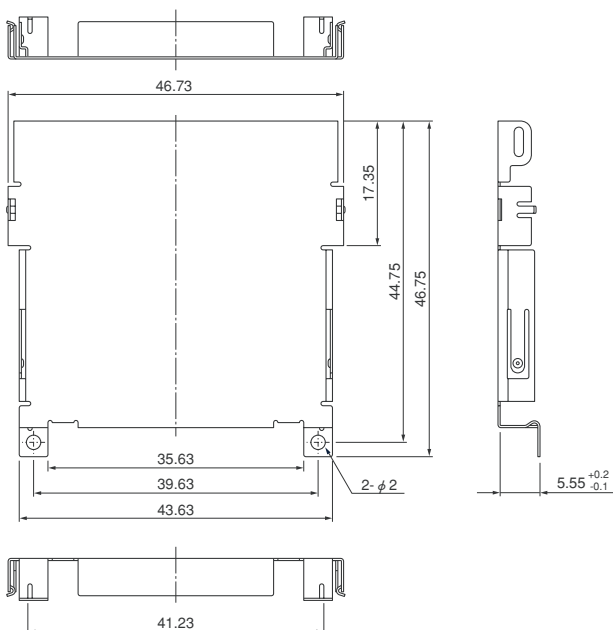


Standoff	Button position	Model No.	Q'ty/box	Material and Finish
0 mm	Right button	CFF-EP2R-NS11B	630	Frame: Stainless steel Standoff 0 mm type; Solder tail; tin-plated (reflow treatment) Push button: Plastic, UL94HB,black Lock button: Plastic, UL94HB, gray
		CFF-EP2R-NS11BR1	105	
3 mm	Left button	CFF-EP2L-NL10B	528	
		CFF-EP2L-NL10BR1	96	

RoHS compliance Standoff 0 mm type product displays (LF)(SN) on a label.

Hold cover

Normal type



Standoff	GND spring	Model No.	Q'ty/box
0 mm	With	CFF-NE2-NS1C	690
		CFF-NE2-NS1CR1	120

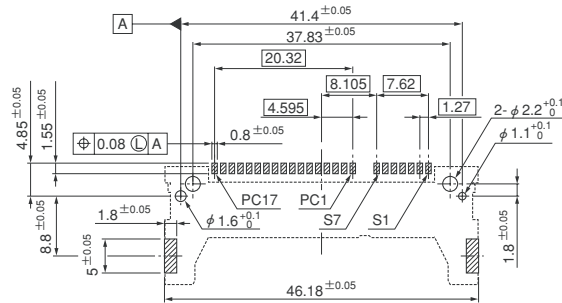
Material

Frame: Stainless steel

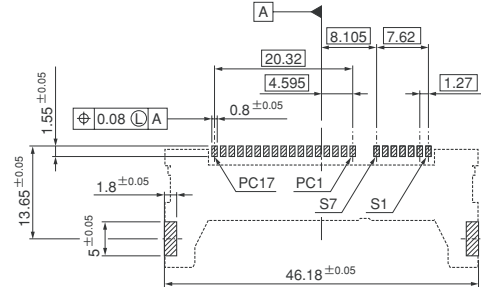
RoHS compliance

Host connector PC board layout

Standoff 0 mm (With boss)

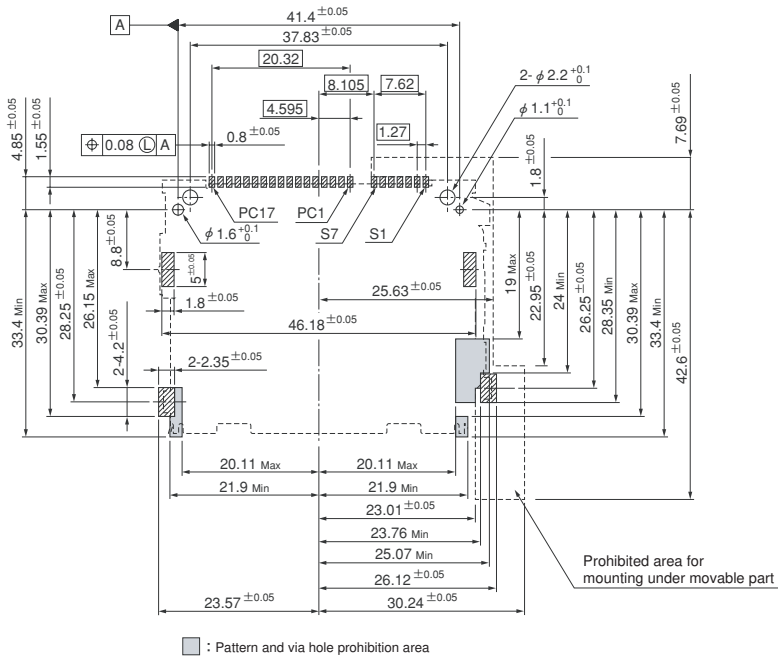


Standoff 3 mm (Without boss)



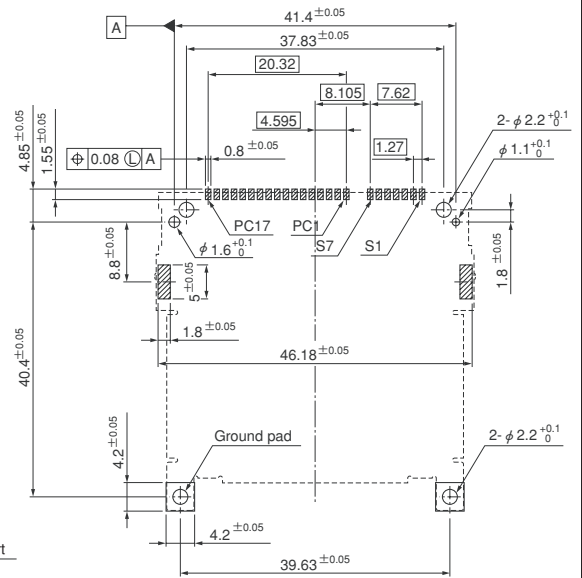
Ejector

Standoff 0 mm (With boss)

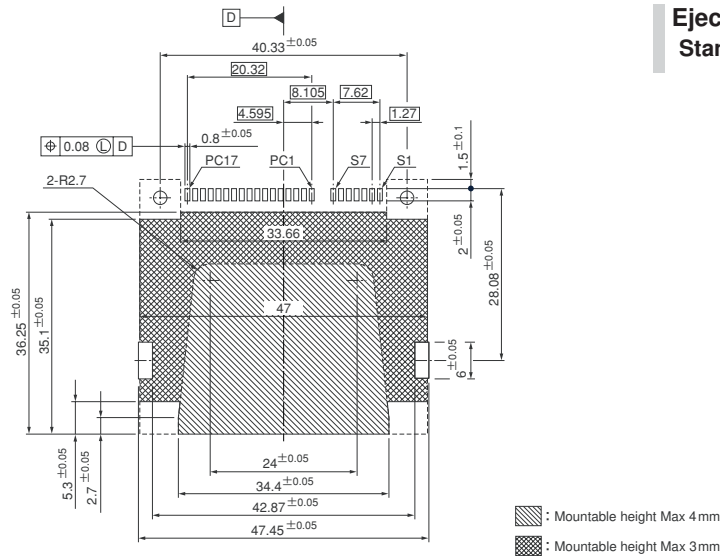


Hold cover

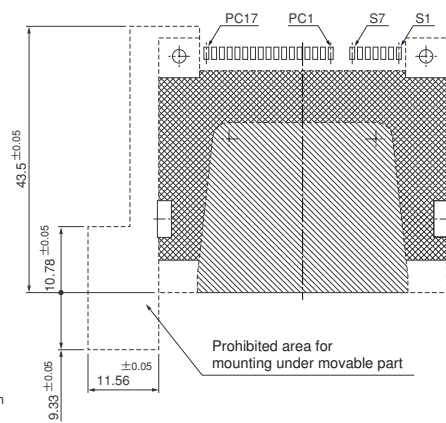
Standoff 0 mm (Without boss)



Standoff 3 mm



Ejector Standoff 3 mm



Recommended PC board layout