



Chipsmall Limited consists of a professional team with an average of over 10 year of expertise in the distribution of electronic components. Based in Hongkong, we have already established firm and mutual-benefit business relationships with customers from,Europe,America and south Asia,supplying obsolete and hard-to-find components to meet their specific needs.

With the principle of “Quality Parts,Customers Priority,Honest Operation,and Considerate Service”,our business mainly focus on the distribution of electronic components. Line cards we deal with include Microchip,ALPS,ROHM,Xilinx,Pulse,ON,Everlight and Freescale. Main products comprise IC,Modules,Potentiometer,IC Socket,Relay,Connector.Our parts cover such applications as commercial,industrial, and automotives areas.

We are looking forward to setting up business relationship with you and hope to provide you with the best service and solution. Let us make a better world for our industry!



## Contact us

Tel: +86-755-8981 8866 Fax: +86-755-8427 6832

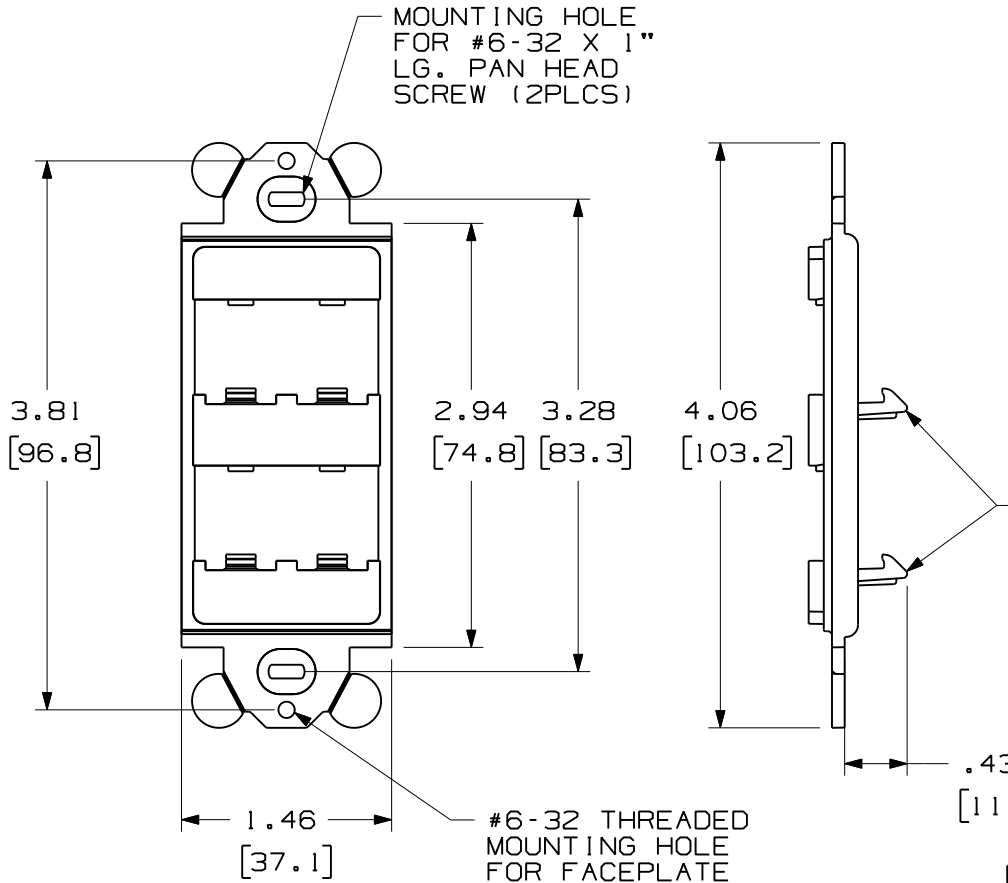
Email & Skype: info@chipsmall.com Web: www.chipsmall.com

Address: A1208, Overseas Decoration Building, #122 Zhenhua RD., Futian, Shenzhen, China

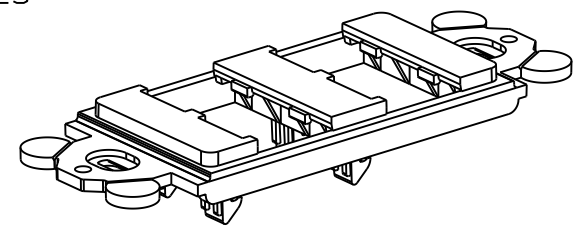


THIS COPY IS PROVIDED ON A RESTRICTED BASIS AND IS NOT TO BE USED IN ANY WAY DETRIMENTAL TO THE INTERESTS OF PANDUIT CORP.

PANDUIT P/N	WEIGHT
CFG4**	.19 LB/10PCS (89.6 g/10 PCS)



- NOTES:
- SEE CURRENT CATALOG FOR ADDITIONAL PART NUMBER SUFFIXES TO INDICATE COLOR AND/OR PACKAGE QUANTITY.
  - SEE CATALOG FOR COMPLETE LIST OF PARTS APPLICABLE OR USE WITH THIS PART.
  - DIENSIONS IN PARENTHESES ARE IN METRIC.
  - (2) #6-32 X 1" PANHEAD SCREWS ARE SUPPLIED



PART NUMBER	CFG4**	PRODUCT SPEC/PKG SPEC	N/A
I.I. NUMBER	N/A	WORK INSTRUCTION	N/A

TITLE  
**"GFCI" MODULE FRAME FOUR POSITION**  
 CUSTOMER DRAWING

ITEM REVISION NAME  
 M00021BA/02.PRT

DATASET FILE NAME  
 M00021BA\_DC03/02A.PRT



UNLESS OTHERWISE SPECIFIED, DIMENSIONAL TOLERANCES ARE: IN (mm)  
 .x : .xxx : .010 (.3)  
 .xx : .03 (.8) ANGLES :

MATERIAL:  
 ABS

DRAWING NUMBER:  
**00021-03**

DRAWN BY	DATE	CHK	SCALE	DRAWING NUMBER	SIZE
RCA	7-28-97	CEF	NONE	SHT 1 OF 1	A

REV	DATE	BY	CHK	APR	DESCRIPTION	ECN
4	11-6-12	BJN	JSP	JSP	A. UPDATED FORMAT TO REFLECT CURRENT PANDUIT LOGO REVISED & REDRAWN PREVIOUS REVS REMOVED FOR CLARITY	00021-03