



Chipsmall Limited consists of a professional team with an average of over 10 year of expertise in the distribution of electronic components. Based in Hongkong, we have already established firm and mutual-benefit business relationships with customers from,Europe,America and south Asia,supplying obsolete and hard-to-find components to meet their specific needs.

With the principle of “Quality Parts,Customers Priority,Honest Operation,and Considerate Service”,our business mainly focus on the distribution of electronic components. Line cards we deal with include Microchip,ALPS,ROHM,Xilinx,Pulse,ON,Everlight and Freescale. Main products comprise IC,Modules,Potentiometer,IC Socket,Relay,Connector.Our parts cover such applications as commercial,industrial, and automotives areas.

We are looking forward to setting up business relationship with you and hope to provide you with the best service and solution. Let us make a better world for our industry!



Contact us

Tel: +86-755-8981 8866 Fax: +86-755-8427 6832

Email & Skype: info@chipsmall.com Web: www.chipsmall.com

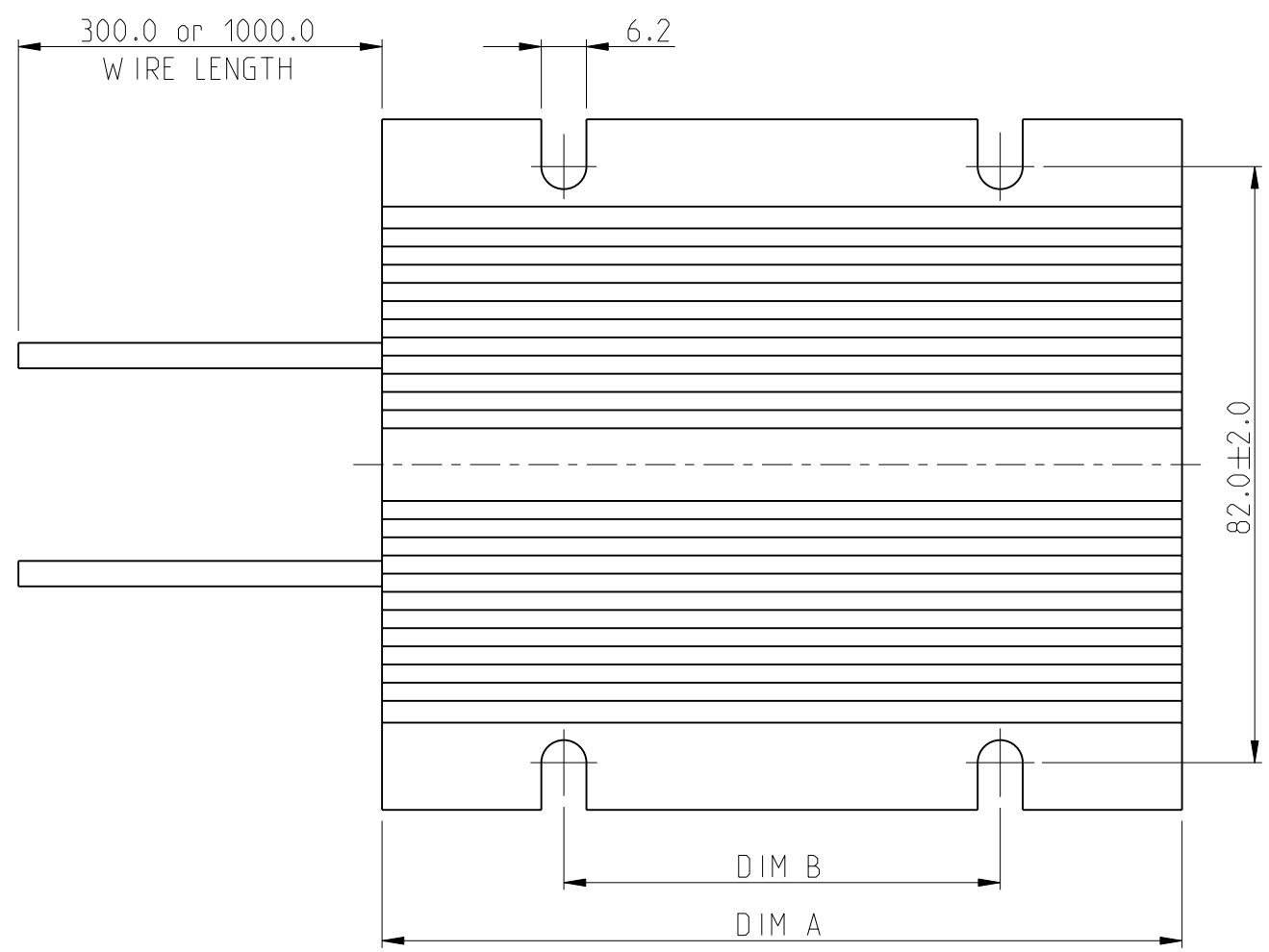
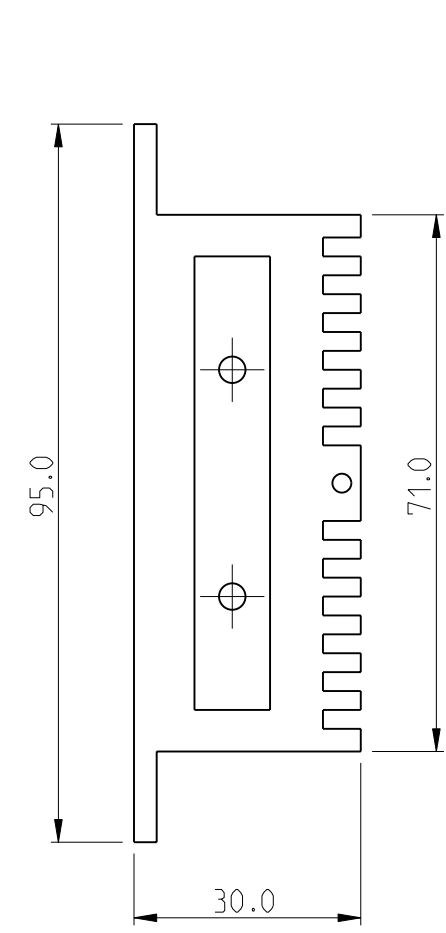
Address: A1208, Overseas Decoration Building, #122 Zhenhua RD., Futian, Shenzhen, China



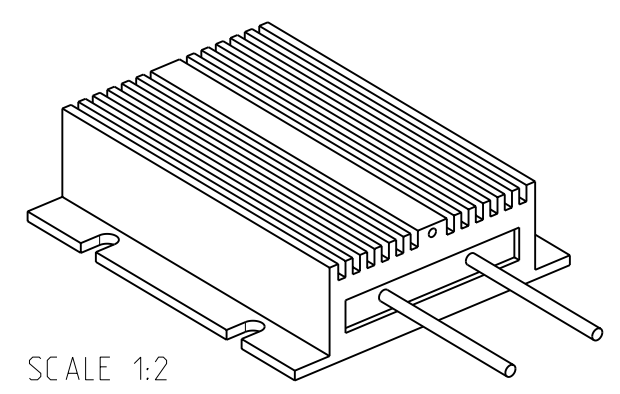
THIS DRAWING IS UNPUBLISHED. RELEASED FOR PUBLICATION 2009
 © COPYRIGHT 2009 BY TYCO ELECTRONICS CORPORATION. ALL RIGHTS RESERVED.

LOC	DIST	REVISIONS			
P	LTR	DESCRIPTION	DATE	DWN	APVD
E	B	A	NEW RELEASE	24-MAR-09	SM JC

- 1 FOR FURTHER INFORMATION SEE DATA SHEET FOR CFH SERIES-ALUMINIUM HOUSED POWER RESISTORS
- 2 FOR A SPECIFIC PN FOR A RESISTANCE VALUE AND TOLERANCE, PLEASE REFER TO DMF



RoHS Compliant



ITEM	SERIES	POWER (W)	DIM A	DIM B
4	CFH1100	1100	320.0	240.0
3	CFH750	750	220.0	140.0
2	CFH500	500	160.0	110.0
1	CFH350	350	110.0	60.0

THIS DRAWING IS A CONTROLLED DOCUMENT FOR TYCO ELECTRONICS CORPORATION IT IS SUBJECT TO CHANGE AND THE CONTROLLING ENGINEERING ORGANIZATION SHOULD BE CONTACTED FOR THE LATEST REVISION.

DIMENSIONS:		TOLERANCES UNLESS OTHERWISE SPECIFIED:	
mm			
0 PLC	±0.5		
1 PLC	±0.2		
2 PLC	±0.1		
3 PLC	±		
4 PLC	±		
ANGLES	±0.5°		
MATERIAL	-	FINISH	-

DWN	SUBHASH.M	24-MAR-09
CHK	PRAKASH.S	24-MAR-09
APVD	J.CATCHPOLE	24-MAR-09
PRODUCT SPEC	-	-
APPLICATION SPEC	-	-
WEIGHT	-	-
CUSTOMER DRAWING		

Tyco Electronics		Tyco Electronics Corporation Dorcan, Swindon, SN3 5HH	
NAME ALUMINIUM HOUSED POWER RESISTOR SERIES CFH			
SIZE	CAGE CODE	DRAWING NO	RESTRICTED TO
A3	00779	©=1623821	-
SCALE 1:1		SHEET 1 OF 1	REV A