



Chipsmall Limited consists of a professional team with an average of over 10 year of expertise in the distribution of electronic components. Based in Hongkong, we have already established firm and mutual-benefit business relationships with customers from,Europe,America and south Asia,supplying obsolete and hard-to-find components to meet their specific needs.

With the principle of “Quality Parts,Customers Priority,Honest Operation,and Considerate Service”,our business mainly focus on the distribution of electronic components. Line cards we deal with include Microchip,ALPS,ROHM,Xilinx,Pulse,ON,Everlight and Freescale. Main products comprise IC,Modules,Potentiometer,IC Socket,Relay,Connector.Our parts cover such applications as commercial,industrial, and automotives areas.

We are looking forward to setting up business relationship with you and hope to provide you with the best service and solution. Let us make a better world for our industry!



## Contact us

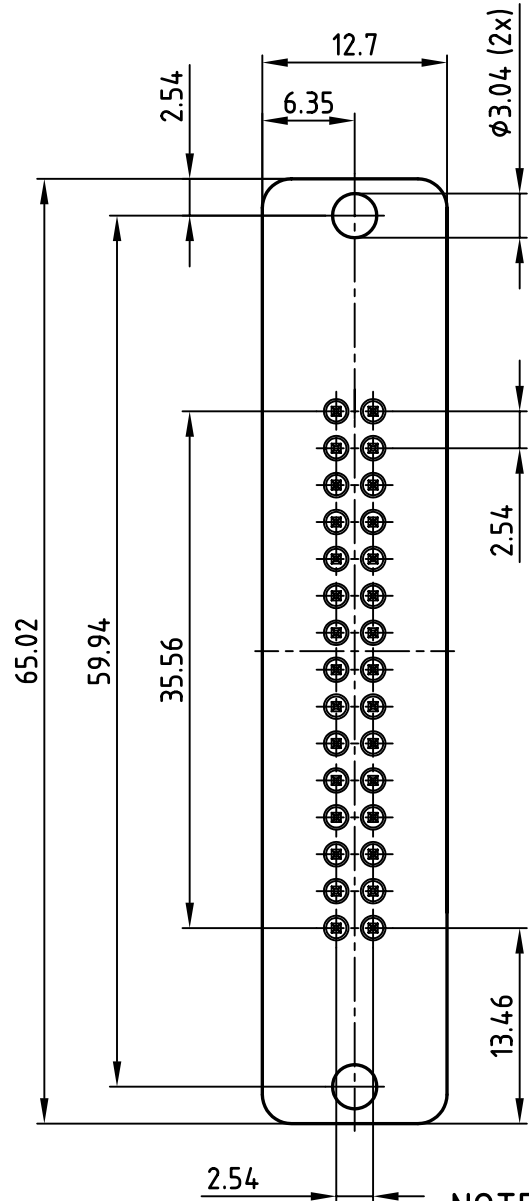
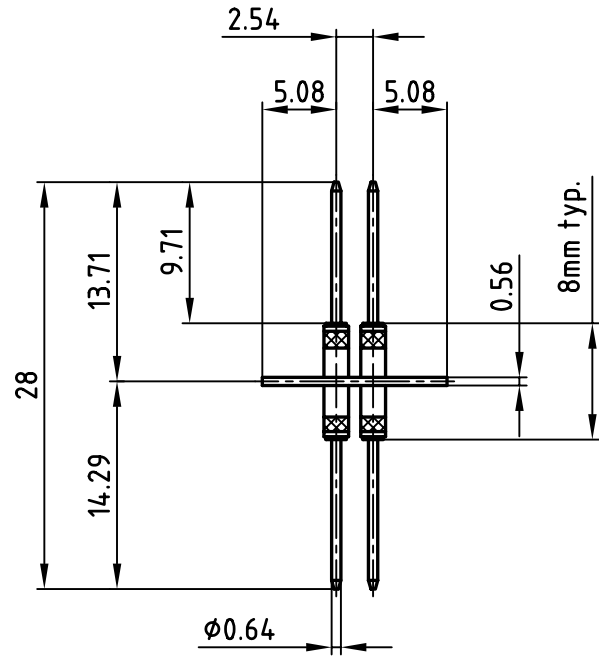
Tel: +86-755-8981 8866 Fax: +86-755-8427 6832

Email & Skype: info@chipsmall.com Web: www.chipsmall.com

Address: A1208, Overseas Decoration Building, #122 Zhenhua RD., Futian, Shenzhen, China



used for: FILTER PLATES



Directive 2002/95/EC  
"RoHS"  
Compliant

APPROVAL # FREIGABE # DEBLOCAGE # AUTORIZACION # APPROVAL	
CUSTOMER APPROVAL DATE:	
NAME:	TITLE:
COMPANY NAME:	
APPROVAL # FREIGABE # DEBLOCAGE # AUTORIZACION # APPROVAL	

NOTES:

1. BASE PLATE: COPPER ALLOY
2. PLATING BASE PLATE: min. 315µm dull TIN over 40-80µm NICKEL
3. CONTACT FINISH: 30µm GOLD PLATING over 50µm NICKEL
4. WORKING VOLTAGE: 100 V DC
5. CURRENT RATING: 5A
6. INSULATION RESISTANCE: 10 GΩ min. @ 100 V DC
7. CAPACITANCE: 470pF ±20%
8. OPERATING TEMPERATURE: -55°C to +125°C

THIS DRAWING MAY NOT BE COPIED OR REPRODUCED IN ANY WAY, AND MAY NOT BE PASSED ON TO A THIRD PARTY WITHOUT WRITTEN PERMISSION.  
OWNERSHIP AND COPYRIGHT OF CONEC GmbH  
DO NOT ALTER CAD DRAWING BY HAND

				tolerance		scale: 2:1
					dim. in mm	material: SEE NOTES
				2010	date	name
				drawn	11.02.	Lehmenkühler
				appd.	11.02.	Fischer
				norm		
				d-old		
a	Origin					
rev.	description	date	name			

title:		FILTER PLATE 2-ROW LEAD SPACING 2.54mm round contact straight / 15 filter per row	
dwg no:	AutoCAD 2006	DIN-A	4
part no:		24K1A1232	sh: 1/1
part no:		CFP1C215C4711X	

4 3 2 1

F

F

E

E

D

D

C

C

B

B

A

A

4 3 2 1