



Chipsmall Limited consists of a professional team with an average of over 10 year of expertise in the distribution of electronic components. Based in Hongkong, we have already established firm and mutual-benefit business relationships with customers from,Europe,America and south Asia,supplying obsolete and hard-to-find components to meet their specific needs.

With the principle of “Quality Parts,Customers Priority,Honest Operation,and Considerate Service”,our business mainly focus on the distribution of electronic components. Line cards we deal with include Microchip,ALPS,ROHM,Xilinx,Pulse,ON,Everlight and Freescale. Main products comprise IC,Modules,Potentiometer,IC Socket,Relay,Connector.Our parts cover such applications as commercial,industrial, and automotives areas.

We are looking forward to setting up business relationship with you and hope to provide you with the best service and solution. Let us make a better world for our industry!



Contact us

Tel: +86-755-8981 8866 Fax: +86-755-8427 6832

Email & Skype: info@chipsmall.com Web: www.chipsmall.com

Address: A1208, Overseas Decoration Building, #122 Zhenhua RD., Futian, Shenzhen, China



Mini-Com[®] Executive Series Faceplates

PANDUIT[®]

SPECIFICATION SHEET

specifications

Faceplates shall be available in 1, 2, 4, and 6-port single gang and 10-port double gang with label and label cover for easy identification. Each faceplate shall accept Mini-Com[®] Modules for UTP, STP, fiber optic, and audio/video that snap in and out. Executive Series faceplates shall have a raised profile for an aesthetic appearance.



technical information

Mounting options:	Screw holes with retention tabs, spaced for single and double gang openings; compatible with Panduit wall board adapters
Packaging:	Supplied with two or four 1" long, #6 – 32 slotted head screws, labels and label covers; faceplates packaged one per bag, ten per box

key features and benefits

Modular	Accepts all Mini-Com [®] Modules which snap in and out for easy moves, adds, and changes
Identification	Includes built-in label pocket for easy identification
Various port densities	Provides design flexibility
Slotted screw holes	Allows faceplate to be adjusted to ensure proper alignment

applications

Mini-Com[®] Executive Series Faceplates are compatible with standard size single gang and double gang junction boxes. Faceplates can also be mounted to wallboard adapters and raceway mounting brackets. When using executive series faceplates with Panduit surface raceway, color matching is guaranteed. Labeling of executive series

faceplates is easy with enclosed write-on labels, or with Panduit computer printable labels. If labels are not needed, matching screw covers can be used to conceal the screws and will mount flush with the faceplate for a clean look.

Single Gang Faceplates

1-port:	CFPE1IWY*
2-port:	CFPE2IWY*
4-port:	CFPE4IWY*
6-port[^]:	CFPE6IWY*

Label Options for Single Gang Faceplates

Laser/ink jet:	C195X040Y1J
Panther™ LS8E:	C195X040Y1C

Double Gang Faceplates

10-port:	CFPE10IW-2GY*
-----------------	---------------

Label Options for Double Gang Faceplates

Laser/ink jet:	C288X040Y1J
Panther™ LS8E:	C288X040Y1C

Wall Board Adapters

Single gang:	MWBA1
Double gang:	MWBA-2G

Accessories

Replacement label and screw cover (single gang): EFPK-XY

Replacement label and screw cover (double gang): EFPK102G-XY

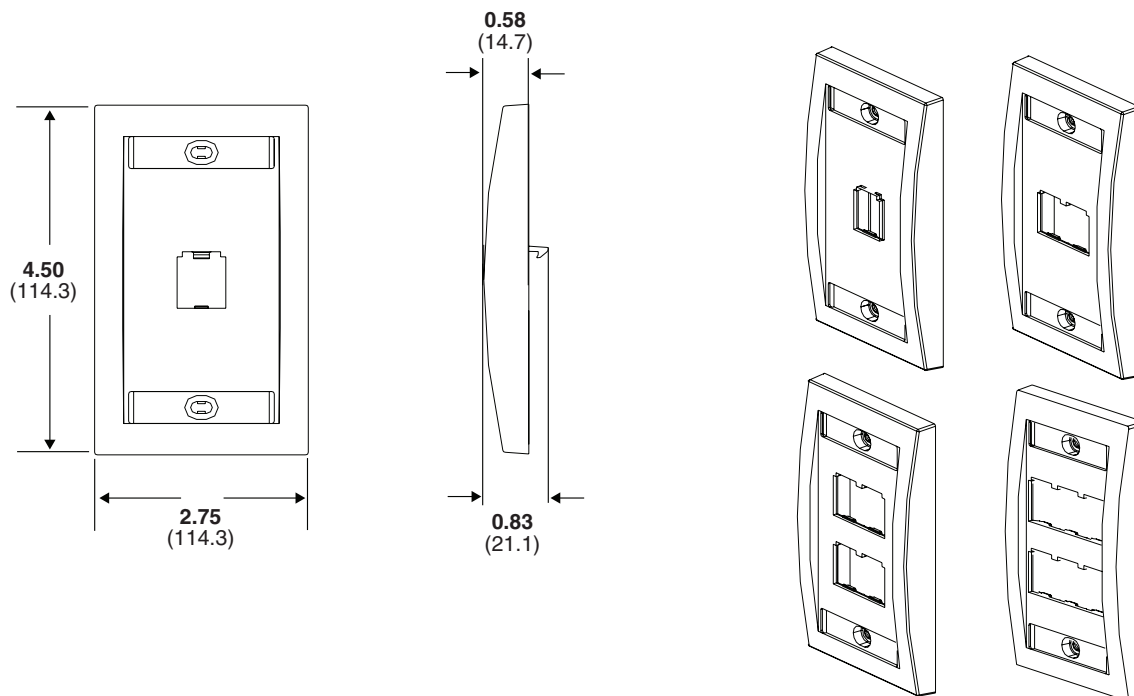
Screw cover: CSCIW-X*

*For other colors, replace suffix IW (Off White) with EI (Electric Ivory), WH (White), or IG (International Gray).

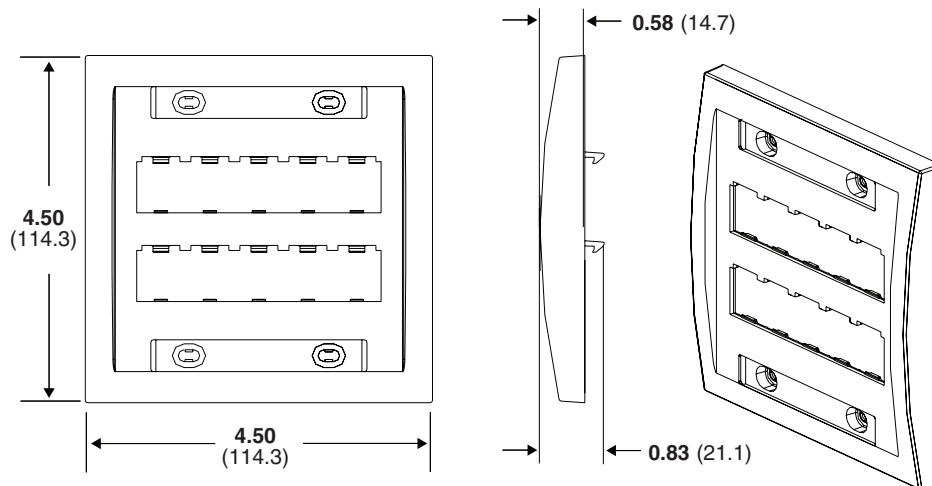
[^]6-port, single gang faceplates must be installed on a 1.9" wide (or wider) electrical back box.

Mini-Com® Executive Series Faceplates

single gang faceplates



double gang faceplates



Dimensions are in inches (Dimensions in parentheses are metric)

WORLDWIDE SUBSIDIARIES AND SALES OFFICES

PANDUIT CANADA
Markham, Ontario
cs-cdn@panduit.com
Phone: 800.777.3300

PANDUIT EUROPE LTD.
London, UK
cs-emea@panduit.com
Phone: 44.20.8601.7200

PANDUIT SINGAPORE PTE. LTD.
Republic of Singapore
cs-ap@panduit.com
Phone: 65.6305.7575

PANDUIT JAPAN
Tokyo, Japan
cs-japan@panduit.com
Phone: 81.3.6863.6000

PANDUIT LATIN AMERICA
Guadalajara, Mexico
cs-la@panduit.com
Phone: 52.33.3777.6000

PANDUIT AUSTRALIA PTY. LTD.
Victoria, Australia
cs-aus@panduit.com
Phone: 61.3.9794.9020

For a copy of Panduit product warranties, log on to www.panduit.com/warranty

For more information

Visit us at www.panduit.com

Contact Customer Service by email: cs@panduit.com
or by phone: 800.777.3300 and reference OTSP21

PANDUIT®

©2015 Panduit Corp.
ALL RIGHTS RESERVED.
WW-OTSP21
5/2015