

Chipsmall Limited consists of a professional team with an average of over 10 year of expertise in the distribution of electronic components. Based in Hongkong, we have already established firm and mutual-benefit business relationships with customers from,Europe,America and south Asia,supplying obsolete and hard-to-find components to meet their specific needs.

With the principle of “Quality Parts,Customers Priority,Honest Operation,and Considerate Service”,our business mainly focus on the distribution of electronic components. Line cards we deal with include Microchip,ALPS,ROHM,Xilinx,Pulse,ON,Everlight and Freescale. Main products comprise IC,Modules,Potentiometer,IC Socket,Relay,Connector.Our parts cover such applications as commercial,industrial, and automotives areas.

We are looking forward to setting up business relationship with you and hope to provide you with the best service and solution. Let us make a better world for our industry!



## Contact us

Tel: +86-755-8981 8866 Fax: +86-755-8427 6832

Email & Skype: info@chipsmall.com Web: www.chipsmall.com

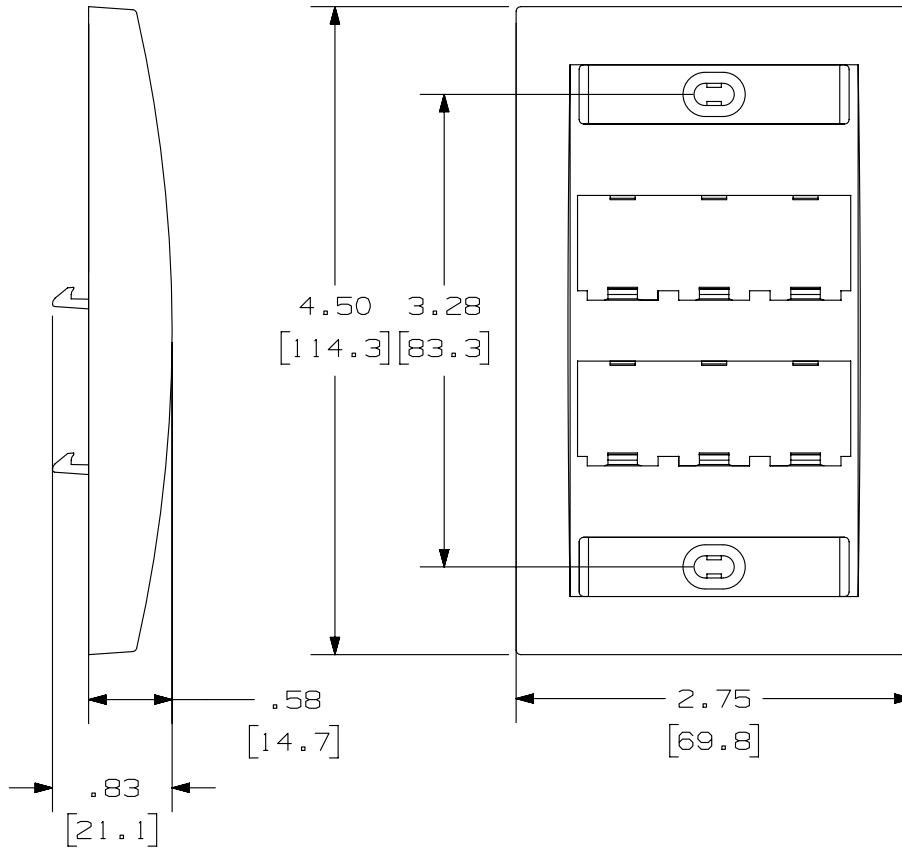
Address: A1208, Overseas Decoration Building, #122 Zhenhua RD., Futian, Shenzhen, China

THIS COPY IS PROVIDED ON A RESTRICTED BASIS AND IS NOT TO BE USED IN ANY WAY DETRIMENTAL TO THE INTERESTS OF PANDUIT CORP.

PANDUIT P/N	WEIGHT
CFPE6**Y	.67 LB/10 PCS 303.9 g/10 PCS)

NOTES:

1. SEE CURRENT CATALOG FOR ADDITIONAL PART NUMBER SUFFIXES TO INDICATE COLOR AND OR PACKAGE QUANTITY.
2. SEE CATALOG FOR COMPLETE LIST OF PARTS APPLICABLE FOR USE WITH THIS PART.
3. DIMENSIONS IN [ ] ARE IN METRIC.
4. PART INCLUDES:  
1- FACEPLATE  
2- LABEL  
2- LABEL COVER  
2- MOUNTING SCREW



PART NUMBER		CFPE6**Y	
TITLE			
MINI-COM 6 POSITION EXECUTIVE		SERIES FACEPLATE	
CUSTOMER DRAWING			
ITEM REVISION NAME		M02479EM/00	
DATASET FILE NAME		M02479EM_DC119/00A	
UNLESS OTHERWISE SPECIFIED, DIMENSIONAL TOLERANCES ARE: IN [mm]		MATERIAL:	
.x ± .xx ± .03 [.8]		.xxx ± .010 [.3]	
ANGLES ±		ABS	
DRAWN BY		DRAWING NUMBER:	
JSP		02479-119	
DATE		SCALE	
4/2/14		NONE	
CHK		SHT 1 OF 1	
MJD		A	
THIRD ANGLE PROJECTION			

REV	DATE	BY	CHK	APR	DESCRIPTION	ECN
1	4/214	JSP	REFR	MMR	A. REVISED DRAWING TITLE BLOCK.	02479-119
R	4-26-06	JSP	MJD	MJD	RELEASED TO PRODUCTION	02479-119

D10100DA/14