



Chipsmall Limited consists of a professional team with an average of over 10 year of expertise in the distribution of electronic components. Based in Hongkong, we have already established firm and mutual-benefit business relationships with customers from,Europe,America and south Asia,supplying obsolete and hard-to-find components to meet their specific needs.

With the principle of “Quality Parts,Customers Priority,Honest Operation,and Considerate Service”,our business mainly focus on the distribution of electronic components. Line cards we deal with include Microchip,ALPS,ROHM,Xilinx,Pulse,ON,Everlight and Freescale. Main products comprise IC,Modules,Potentiometer,IC Socket,Relay,Connector.Our parts cover such applications as commercial,industrial, and automotives areas.

We are looking forward to setting up business relationship with you and hope to provide you with the best service and solution. Let us make a better world for our industry!



## Contact us

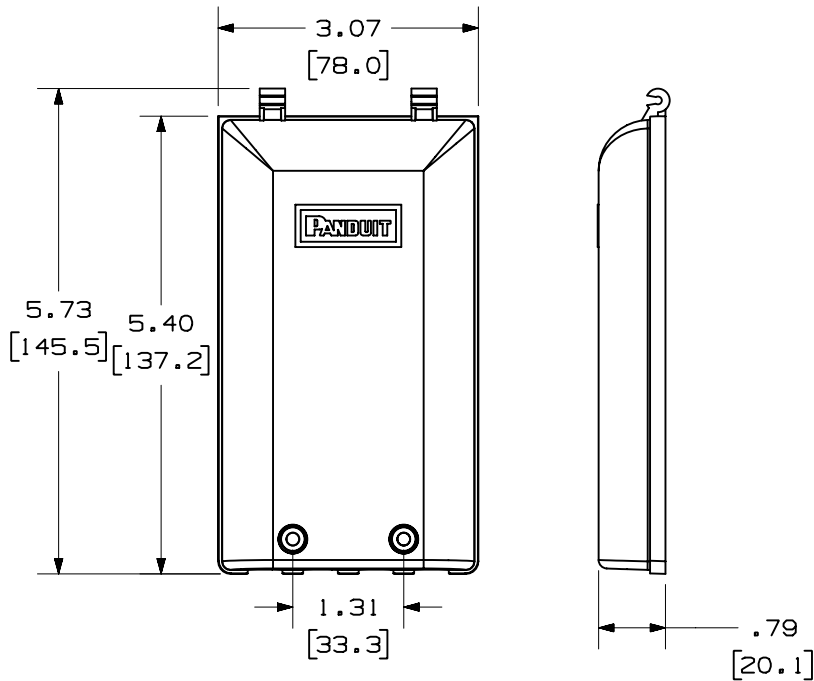
Tel: +86-755-8981 8866 Fax: +86-755-8427 6832

Email & Skype: info@chipsmall.com Web: www.chipsmall.com

Address: A1208, Overseas Decoration Building, #122 Zhenhua RD., Futian, Shenzhen, China



THIS COPY IS PROVIDED ON A RESTRICTED BASIS AND IS NOT TO BE USED IN ANY WAY DETRIMENTAL TO THE INTERESTS OF PANDUIT CORP.

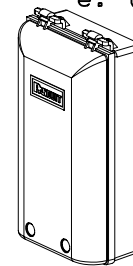
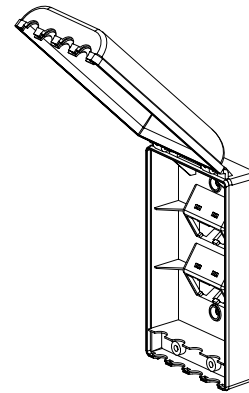


USE A 5/64" HEX KEY TOOL WITH THE TAMPER RESISTANT SCREW.

PANDUIT P/N	WEIGHT
CFPTR4**	2.59 LB/10 PCS (1174.1 g/10 PCS)

NOTES:

- SEE CURRENT CATALOG FOR ADDITIONAL PART NUMBER SUFFIXES TO INDICATE COLOR AND OR PACKAGE QUANTITY.
- SEE CATALOG FOR A COMPLETE LIST OF PARTS APPLICABLE FOR USE WITH THIS PART.
- DIMENSIONS IN PARENTHESES ARE IN METRIC.
- ALSO INCLUDED WITH BOX:
  - (2) MOUNTING SCREW #6-32 X 1" (SECURES FACEPLATE TO WALL)
  - (2) TAMPER RESISTANT SCREW HEX BUTTON HEAD #6-32 X 1.25" (SECURES COVER TO BASE)
  - (1) BASE
  - (1) COVER
  - (2) COVER SCREW #6-32 X 1.25" COMBINATION PAN HEAD (SECURES COVER TO BASE)



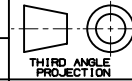
MODEL FILENAME	M00897AA_WATERRESBOX_09.PRT	SIZE	A
DRAWING FILENAME	M00897BK_DC_00B.PRT		

MINI-COM™ 4 POSITION TAMPER RESISTANT FACEPLATE CUSTOMER DRAWING



**PANDUIT**™  
CORP.  
TINLEY PARK, ILL 60477

I.I. NUMBER	N/A
PRODUCT SPEC	N/A
WORK INSTRUCTION	N/A
SCALE	FULL
PART NO.	CFPTR4**
DRAWING NO.	00897-15
	SHEET 1 OF 2



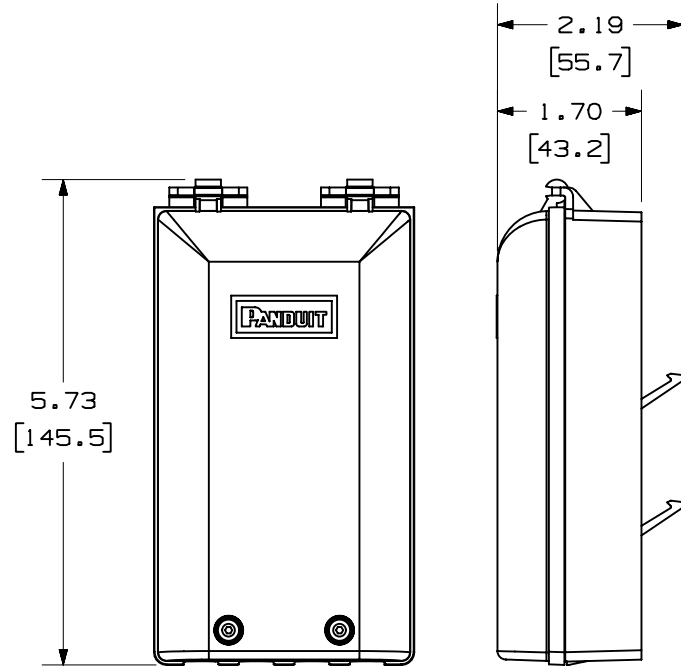
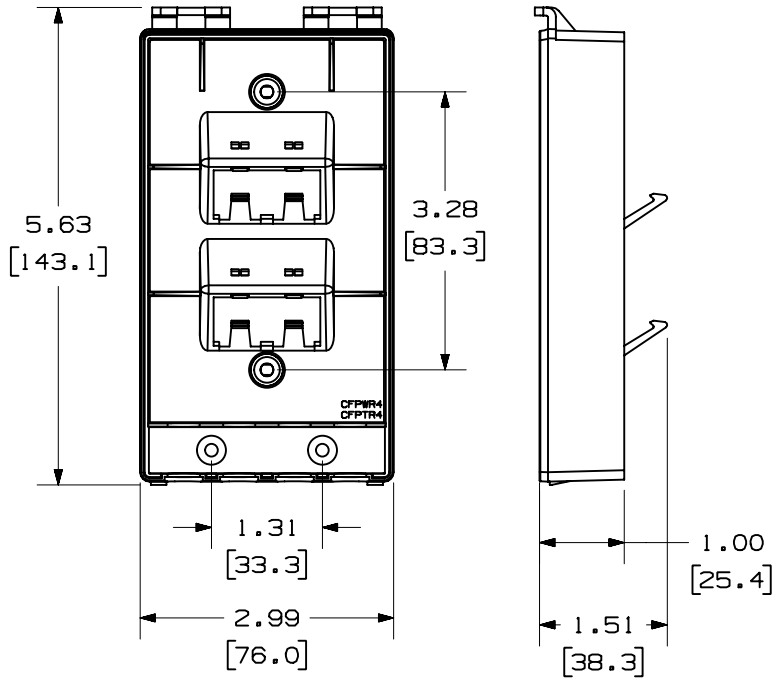
THIRD ANGLE PROJECTION  
DRAWN BY JsP  
DATE 12-3-01  
CHK'D MJD

ALL DIMENSIONS ARE GIVEN IN INCHES, UNLESS OTHERWISE SPECIFIED.  
DIMENSIONAL TOLERANCES ARE:  
(.X) ±.03 (.XXX) ±.005  
(.XX) ±.01 ANGLES ± 1°

REVIEW DRAWING NUMBERS  
MATERIAL: PC


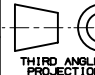
REV	DATE	BY	CHK	DESCRIPTION	ECN	R	CUST	SUP	OTH
1	2-13-04	JsP		A. ADDED TWO COMBO HEAD SCREWS TO KIT.	00897-15				
R	12-3-01	JsP	MJD	RELEASED TO PRODUCTION	00897-15				

THIS COPY IS PROVIDED ON A RESTRICTED BASIS AND IS NOT TO BE USED IN ANY WAY DETRIMENTAL TO THE INTERESTS OF PANDUIT CORP.



MODEL FILENAME	M00897AA_WATERRESBOX_00.PRT	SIZE	A
DRAWING FILENAME	M00897BK_DC_00B.PRT		

MINI-COM™ 4 POSITION TAMPER RESISTANT  
FACEPLATE CUSTOMER DRAWING

 <b>PANDUIT</b> ™ CORP. TINLEY PARK, ILL 60477	I.I. NUMBER	N/A
	PRODUCT SPEC	N/A
 THIRD ANGLE PROJECTION	WORK INSTRUCTION	N/A
	SCALE	NONE
DRAWN BY JsP	REVIEW DRAWING NUMBERS	PART NO. CFPTR4**
DATE 12-3-01	MATERIAL: PC	DRAWING NO. 00897-15
CHK'D MJD		SHEET 2 OF 2

REV	DATE	BY	CHK	DESCRIPTION	ECN	R	CUST	SUP	OTH
1	2-13-04	JsP		SEE SHEET 1 OF 2 FOR REVISIONS.	00897-15				
R	12-3-01	JsP	MJD	SEE SHEET 1 OF 2.	00897-15				