



Chipsmall Limited consists of a professional team with an average of over 10 year of expertise in the distribution of electronic components. Based in Hongkong, we have already established firm and mutual-benefit business relationships with customers from,Europe,America and south Asia,supplying obsolete and hard-to-find components to meet their specific needs.

With the principle of "Quality Parts,Customers Priority,Honest Operation,and Considerate Service",our business mainly focus on the distribution of electronic components. Line cards we deal with include Microchip,ALPS,ROHM,Xilinx,Pulse,ON,Everlight and Freescale. Main products comprise IC,Modules,Potentiometer,IC Socket,Relay,Connector.Our parts cover such applications as commercial,industrial, and automotives areas.

We are looking forward to setting up business relationship with you and hope to provide you with the best service and solution. Let us make a better world for our industry!



Contact us

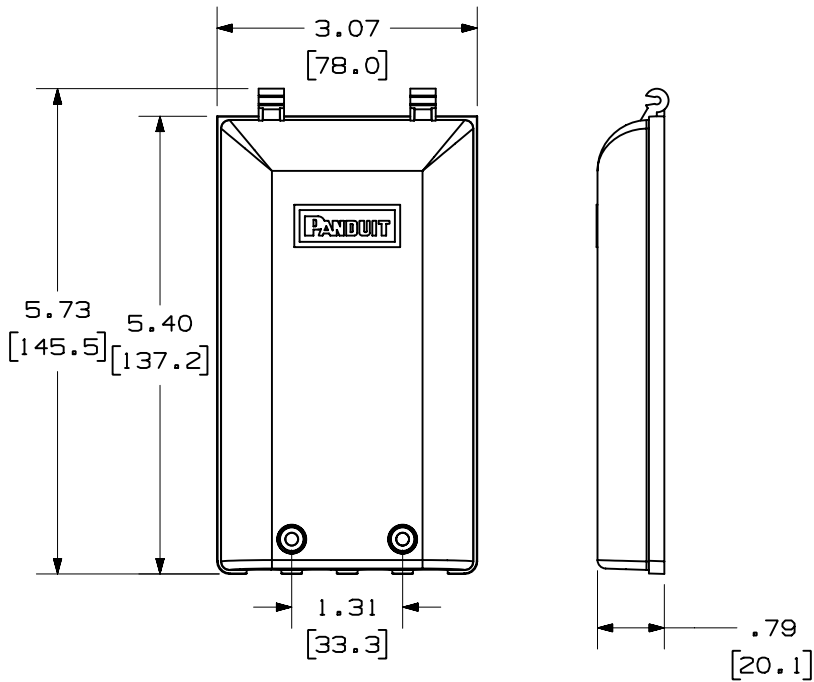
Tel: +86-755-8981 8866 Fax: +86-755-8427 6832

Email & Skype: info@chipsmall.com Web: www.chipsmall.com

Address: A1208, Overseas Decoration Building, #122 Zhenhua RD., Futian, Shenzhen, China



THIS COPY IS PROVIDED ON A RESTRICTED BASIS AND IS NOT TO BE USED IN ANY WAY DETRIMENTAL TO THE INTERESTS OF PANDUIT CORP.



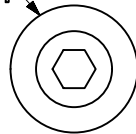
PANDUIT P/N	WEIGHT
CFPWR4**	2.89 LB/10 PCS (1309.1 g/10 PCS)

NOTES:

1. SEE CURRENT CATALOG FOR ADDITIONAL PART NUMBER SUFFIXES TO INDICATE COLOR AND OR PACKAGE QUANTITY.
2. SEE CATALOG FOR A COMPLETE LIST OF PARTS APPLICABLE FOR USE WITH THIS PART.
3. DIMENSIONS IN PARENTHESES ARE IN METRIC.
4. ALSO INCLUDED WITH BOX:
 - a. (2) MOUNTING SCREW #6-32 X 1" (SECURES FACEPLATE TO WALL)
 - b. (2) COVER SCREW #6-32 X 1.25" COMBINATION PAN HEAD (SECURES COVER TO BASE)
 - c. (1) BASE
 - d. (1) COVER
 - e. (1) TOP/BOTTOM CABLE GASKET
 - f. (1) BACK SEAL GASKET
 - g. (2) TAMPER RESISTANT COVER SCREW #6-32 X 1.25" HEX BUTTON HEAD (SECURES COVER TO BASE)



USE A 5/64" HEX KEY TOOL WITH THE TAMPER RESISTANT SCREW.



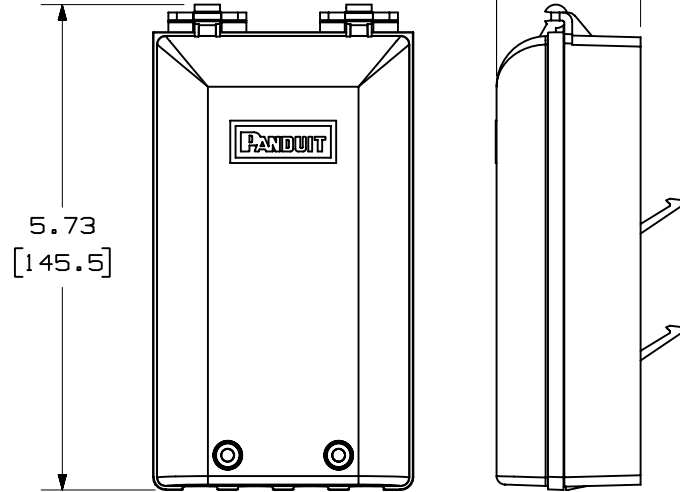
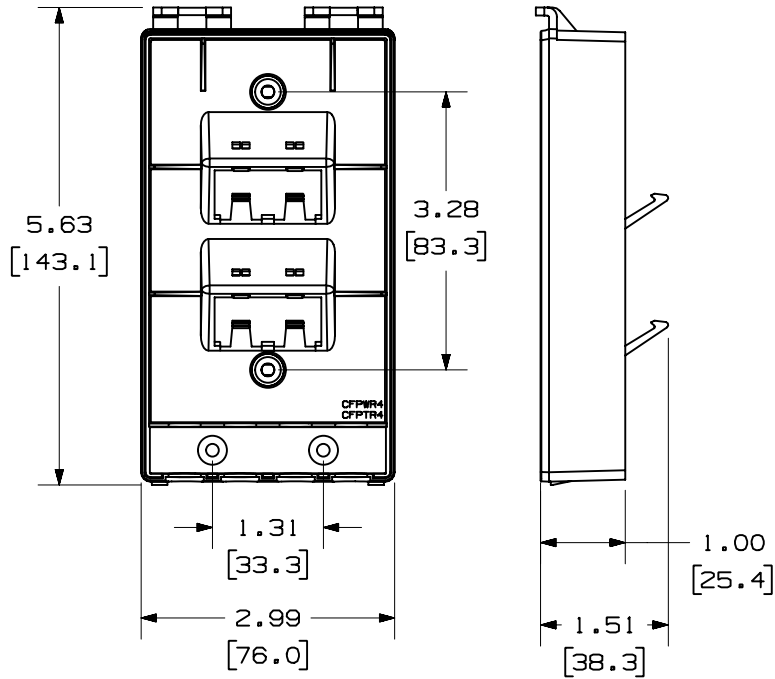
MODEL FILENAME	M00897AA_WATERRESBOX_09.PRT	SIZE	A
DRAWING FILENAME	M00897BL_DC_00B.PRT		

MINI-COM™ 4 POSITION WATER RESISTANT FACEPLATE CUSTOMER DRAWING

<p>PANDUIT™ CORP. TINLEY PARK, ILL 60477</p>	I.I. NUMBER	N/A
	PRODUCT SPEC	N/A
<p>THIRD ANGLE PROJECTION</p>	WORK INSTRUCTION	N/A
	SCALE	FULL
<p>ALL DIMENSIONS ARE GIVEN IN INCHES, UNLESS OTHERWISE SPECIFIED.</p> <p>DIMENSIONAL TOLERANCES ARE: (.X) ±.03 (.XXX) ±.005 (.XX) ±.01 ANGLES ± 1°</p>	PART NO.	CFPWR4**
<p>DRAWN BY: JsP</p> <p>DATE: 1-15-02</p> <p>CHK'D: MJD</p>	REVIEW DRAWING NUMBERS	DRAWING NO. 00897-07
MATERIAL: PC		SHEET 1 OF 2

REV	DATE	BY	CHK	DESCRIPTION	ECN	R	CUST	SUP	OTH
I	2-13-04	JsP		A. ADDED TWO TAMPER RESISTANT SCREWS TO KIT.	00897-07				
R	1-15-02	JsP	MJD	RELEASED TO PRODUCTION	00897-07				

THIS COPY IS PROVIDED ON A RESTRICTED BASIS AND IS NOT TO BE USED IN ANY WAY DETRIMENTAL TO THE INTERESTS OF PANDUIT CORP.



MODEL FILENAME	M00897AA_WATERRESBOX_00.PRT	SIZE
DRAWING FILENAME	M00897BL_DC_00B.PRT	A

MINI-COM™ 4 POSITION WATER RESISTANT FACEPLATE CUSTOMER DRAWING

<p>PANDUIT™ CORP. TINLEY PARK, ILL 60477</p>	I.I. NUMBER	N/A
	PRODUCT SPEC	N/A
	WORK INSTRUCTION	N/A
	SCALE	NONE
<p>THIRD ANGLE PROJECTION</p>	<p>ALL DIMENSIONS ARE GIVEN IN INCHES, UNLESS OTHERWISE SPECIFIED.</p> <p>DIMENSIONAL TOLERANCES ARE: (.X) ±.03 (.XXX) ±.005 (.XX) ±.01 ANGLES ± 1°</p>	PART NO.
<p>DRAWN BY JsP</p>	<p>REVIEW DRAWING NUMBERS</p>	<p>CFPWR4**</p>
<p>DATE 1-15-02</p>	<p>MATERIAL: PC</p>	<p>DRAWING NO. 00897-07 SHEET 2 OF 2</p>
<p>CHK'D MJD</p>		

REV	DATE	BY	CHK	DESCRIPTION	ECN	R	CUST	SUP	OTH
I	2-13-04	JsP		SEE SHEET 1 OF 2 FOR REVISIONS.	00897-07				
R	1-15-02	JsP	MJD	SEE SHEET 1 OF 2.	00897-07				