



Chipsmall Limited consists of a professional team with an average of over 10 year of expertise in the distribution of electronic components. Based in Hongkong, we have already established firm and mutual-benefit business relationships with customers from,Europe,America and south Asia,supplying obsolete and hard-to-find components to meet their specific needs.

With the principle of "Quality Parts,Customers Priority,Honest Operation,and Considerate Service",our business mainly focus on the distribution of electronic components. Line cards we deal with include Microchip,ALPS,ROHM,Xilinx,Pulse,ON,Everlight and Freescale. Main products comprise IC,Modules,Potentiometer,IC Socket,Relay,Connector.Our parts cover such applications as commercial,industrial, and automotives areas.

We are looking forward to setting up business relationship with you and hope to provide you with the best service and solution. Let us make a better world for our industry!



Contact us

Tel: +86-755-8981 8866 Fax: +86-755-8427 6832

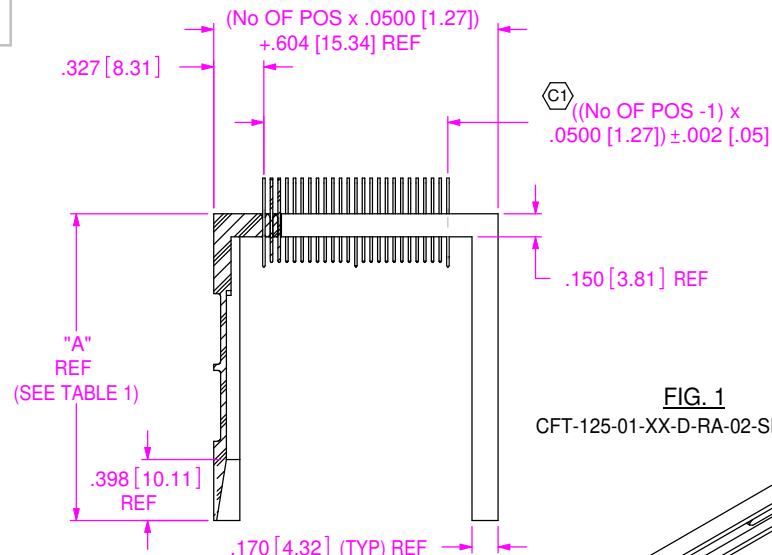
Email & Skype: info@chipsmall.com Web: www.chipsmall.com

Address: A1208, Overseas Decoration Building, #122 Zhenhua RD., Futian, Shenzhen, China

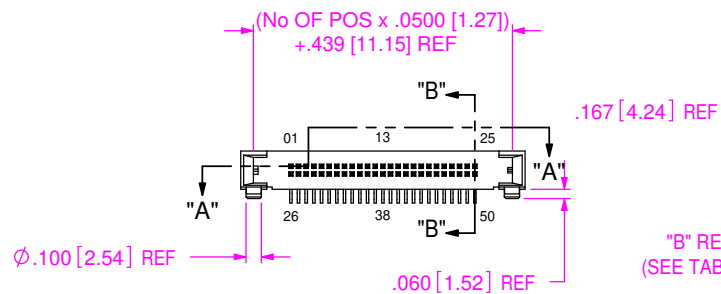


DO NOT SCALE FROM THIS PRINT

CFT-1XX-XX-XX-D-RA-XX-SL-XX



SECTION "A"-"A"



SECTION "B"-"B"

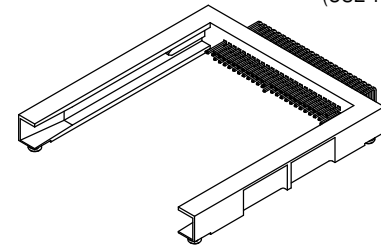


FIG. 1
CFT-125-01-XX-D-RA-02-SL SHOWN

DETAIL 'A'
(SEE SHEET 2)

T-1S15-09-XX

No OF POSITIONS
-20, -25, -30, -34, -40, -50
(PER ROW)

LEAD STYLE
-01: STANDARD
(USE CFT-XX-D-S-XX-SL)
-02: ELEVATED
(USE CFT-XX-D-E-XX-SL)

PLATING SPECIFICATION
-L: LIGHT SELECTIVE GOLD
(USE T-1S15-09-L)
-S: SELECTIVE GOLD
(USE T-1S15-09-S)
-LM: SELECTIVE LIGHT GOLD, MATTE TIN TAIL
(USE T-1S15-09-L)
-SM: SELECTIVE HEAVY GOLD, MATTE TIN TAIL
(USE T-1S15-09-S)

POST OPTION
-SD: .120[3.05] POST
-BLANK: HOT PLUGGABLE
(25 POSITION ONLY)
-SL: SOLDER LOCK

CARD LENGTH
-01: 1.00 [25.4]
(USE CFT-XX-D-X-01-SL)
-02: 2.00 [50.8]
(USE CFT-XX-D-X-02-SL)

TAIL OPTION
-RA: RIGHT ANGLE

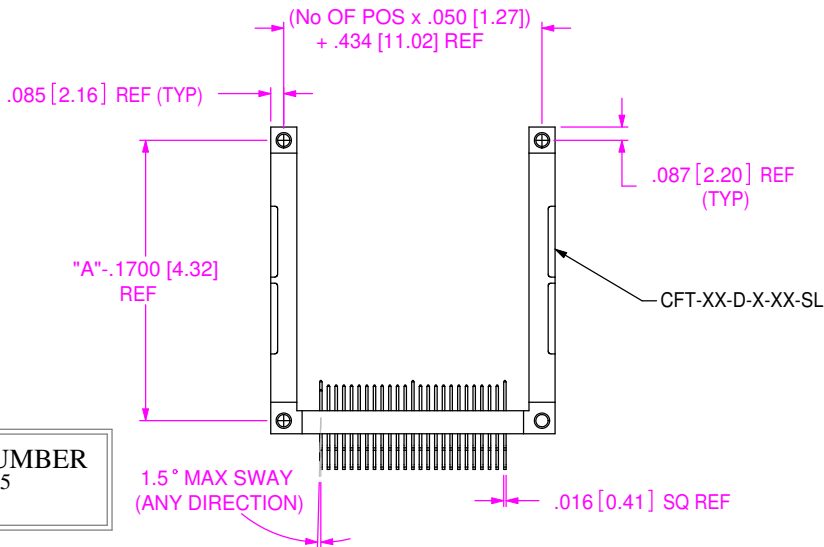
ROW SPECIFICATION
-D: DOUBLE (USE CFT-XX-D-X-XX-SL)

TABLE 1	
CARD LENGTH	"A"
-01	1.00 [25.4]
-02	2.00 [50.8]

TABLE 2	
LEAD STYLE	"B"
-01	.250 [6.35]
-02	.350 [8.89]

NOTES:

1. Ⓢ REPRESENTS A CRITICAL DIMENSION.
2. DELETED.
3. BURR ALLOWANCE: .0015[.038] MAX.
4. MINIMUM PUSHOUT FORCE: 1.5 LB.
5. MAXIMUM ALLOWABLE BOW: .002 INCH/INCH AFTER ASSEMBLY.
6. MAX HEIGHT VARIATION .005 BETWEEN ROWS.
7. DELETED.
8. TERMINALS TO BE SHEARED TO OBTAIN DIMENSION SPECIFICATION.
9. PARTS TO BE PACKAGED IN TUBES.
10. DIMENSION TO BE MEASURED AT BEND.



UNLESS OTHERWISE SPECIFIED, DIMENSIONS ARE IN INCHES. TOLERANCES ARE:
DECIMALS ANGLES
.XX: ±.01 [.3] 2°
.XXX: ±.005 [.13]
.XXXX: ±.002 [.051]

PROPRIETARY NOTE
THIS DOCUMENT CONTAINS INFORMATION CONFIDENTIAL AND PROPRIETARY TO SAMTEC, INC. AND SHALL NOT BE REPRODUCED OR TRANSFERRED TO OTHER DOCUMENTS OR DISCLOSED TO OTHERS OR USED FOR ANY PURPOSE OTHER THAN THAT WHICH IT WAS OBTAINED WITHOUT THE EXPRESSED WRITTEN CONSENT OF SAMTEC, INC.

samtec
520 PARK EAST BLVD, NEW ALBANY, IN 47150
PHONE: 812-944-6733 FAX: 812-948-5047
e-Mail: info@SAMTEC.com code: 55322

MATERIAL: DO NOT SCALE DRAWING
INSULATOR: VECTRA E130i
COLOR: BLACK
TERMINAL: 510 PHOS BRONZE, SPRING TEMPER

SHEET SCALE: 1:1.25

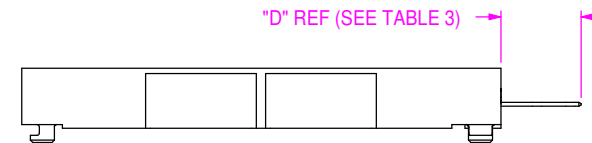
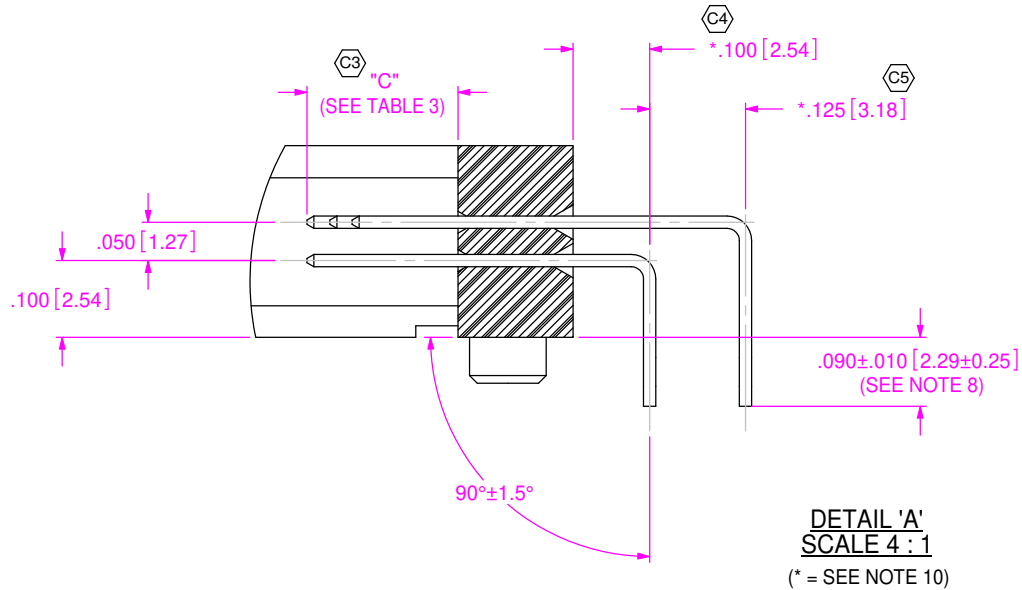
DESCRIPTION:
.050 [1.27] C.L. CARD GUIDE ASSEMBLY

DWG. NO. CFT-1XX-XX-XX-D-RA-XX-SL-XX

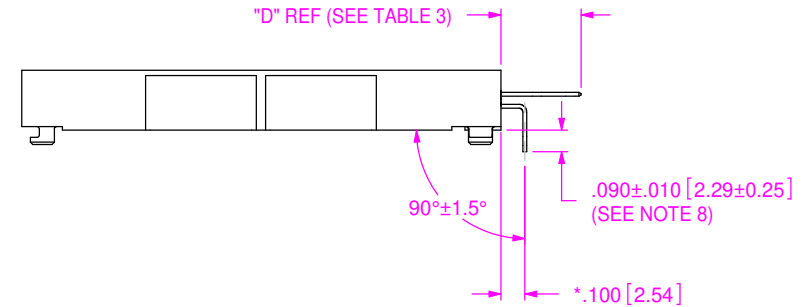
BY: DEAN P 03/05/1999 SHEET 1 OF 2

M
PATENT NUMBER
6159045

TABLE 3			
POST OPTION	POSITION	"C"	"D"
HOT PLUGGABLE	25, 26	.138 [3.50]	.662 [16.81]
	01, 13, 38, 50	.197 [5.00]	.603 [15.32]
	ALL OTHERS	.167 [4.24]	.633 [16.84]
-SD (SEE NOTE 6)	ALL	.120 [3.05]	.680 [17.27]

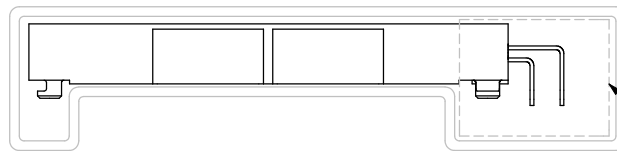


IN-PROCESS 1

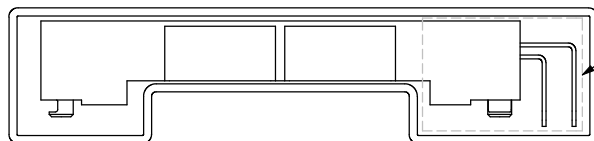


IN-PROCESS 2
(* = SEE NOTE 10)

PACKAGING VIEWS



(CFT-XX-D-S-02-SL SHOWN)



(CFT-XX-D-E-02-SL SHOWN)

PLUGS TO BE INSERTED INTO THIS AREA.

PACKAGING TABLE			
HEIGHT	CARD LENGTH	TUBE	PLUG
-S	-01	PT-1-24-01-81	TP-28
-S	-02	PT-1-24-02-81	TP-28
-E	-01	PT-1-24-05-81	TP-28
-E	-02	PT-1-24-06-81	TP-28

PROPRIETARY NOTE

THIS DOCUMENT CONTAINS INFORMATION CONFIDENTIAL AND PROPRIETARY TO SAMTEC, INC. AND SHALL NOT BE REPRODUCED OR TRANSFERRED TO OTHER DOCUMENTS OR DISCLOSED TO OTHERS OR USED FOR ANY PURPOSE OTHER THAN THAT WHICH IT WAS OBTAINED WITHOUT THE EXPRESSED WRITTEN CONSENT OF SAMTEC, INC.

DO NOT SCALE DRAWING

SHEET SCALE: 1:0.833333



520 PARK EAST BLVD, NEW ALBANY, IN 47150
PHONE: 812-944-6733 FAX: 812-948-5047
e-Mail: info@SAMTEC.com code: 55322

DESCRIPTION:
.050 [1.27] C.L. CARD GUIDE ASSEMBLY
DWG. NO.
CFT-1XX-XX-XX-D-RA-XX-SL-XX

BY: DEAN P 03/05/1999 SHEET 2 OF 2