



Chipsmall Limited consists of a professional team with an average of over 10 year of expertise in the distribution of electronic components. Based in Hongkong, we have already established firm and mutual-benefit business relationships with customers from,Europe,America and south Asia,supplying obsolete and hard-to-find components to meet their specific needs.

With the principle of “Quality Parts,Customers Priority,Honest Operation,and Considerate Service”,our business mainly focus on the distribution of electronic components. Line cards we deal with include Microchip,ALPS,ROHM,Xilinx,Pulse,ON,Everlight and Freescale. Main products comprise IC,Modules,Potentiometer,IC Socket,Relay,Connector.Our parts cover such applications as commercial,industrial, and automotives areas.

We are looking forward to setting up business relationship with you and hope to provide you with the best service and solution. Let us make a better world for our industry!



Contact us

Tel: +86-755-8981 8866 Fax: +86-755-8427 6832

Email & Skype: info@chipsmall.com Web: www.chipsmall.com

Address: A1208, Overseas Decoration Building, #122 Zhenhua RD., Futian, Shenzhen, China



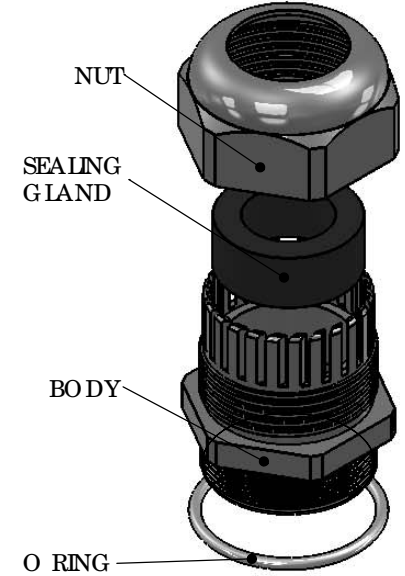
REV.	MODIFICATION.	DATE	DRN
01	Production release	19/01/10	MT
02	CO2010958	15/07/10	MT
03	CO2010965	28/07/10	MT
04	CO2011029	14/12/10	SF
05	CO2011176	27/7/11	SF

PART NUMBER	THREAD SIZE	CABLE DIAMETER		SUGGESTED CLEARANCE HOLE FOR NON THREADED MOUNTING	"L" ±0.5[.020]	"SW-1" ±0.5[.020]	"H" MAX REF	INSTALLATION TO RQUB**
		MIN Ø	MAX Ø					
CG-NPT3/8-1-BK	NPT-3/8	3[.118]	7[.276]	17[.670]	14.5[.571]	22[.866]	44.5[1.752]	2.2
CG-NPT3/8-2-BK		5[.197]	10[.394]					
CG-NPT1/2-1-BK	NPT-1/2	5[.197]	9[.236]	22.2[.875]	15[.591]	24[.945]	45[1.772]	2.7
CG-NPT1/2-2-BK		7[.276]	12[.472]			27[1.063]	47.5[1.870]	3.0
CG-NPT1/2-3-BK		10[.394]	14[.551]			33[1.299]	52[2.047]	5.0
CG-NPT3/4-1-BK	NPT-3/4	9[.236]	16[.630]	27.1[1.068]	18[.709]	42[1.654]	60.5[2.382]	7.5
CG-NPT3/4-2-BK		14[.551]	18[.709]					
CG-NPT1-1-BK	NPT-1	12[.472]	20[.787]	34.3[1.350]	18[.709]	42[1.654]	60.5[2.382]	7.5
CG-NPT1-2-BK		19[.748]	25[.984]					

O RING INCLUDED WITH THREADS NPT-1

PARTS AVAILABLE IN GREY (RAL 7035) BY SPECIAL ORDER.
TO ORDER REMOVE -BK FROM END OF PART NUMBER.

**TESTED WITH SPECIFIED TEST MANDRELS ACCORDING DIN EN 50262, CHAPTER 5.7. DEPENDING ON THE CABLE CONSTRUCTION DIFFERENCES ARE POSSIBLE.



ALTERNATE UNITS FOR REFERENCE ONLY

SPECIAL ORDER EU REGION

INFORMATION CONTAINED IN THIS DOCUMENT IS CONFIDENTIAL TO RICHCO INTERNATIONAL Co. Ltd. AND MAY NOT BE DISCLOSED OR REPRODUCED IN WHOLE OR PART WITHOUT THEIR WRITTEN CONSENT.

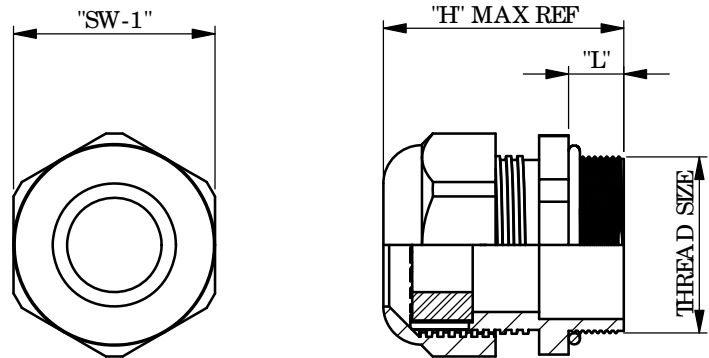
RICHO, INC. WWW.RICHO-INC.COM	ALL DIMENSIONS IN mm [inch] GENERAL TOLERANCES UNLESS OTHERWISE STATED 1 DECIMAL PLACE ± 2 DECIMAL PLACES ± ANGULAR ±1°	THIRD ANGLE

MATERIAL: BODY AND NUT - NYLON 6 UL94 V-2 (RMS-036) SEALING GLAND - CR/NBR (RMS-037) O RING - NBR (RMS-041)	COLOR: BODY AND NUT BLACK RAL9005 SEAL GREY, O RING: BLACK
---	--

DESCRIPTION: CABLE GLANDS - NPTTYPE	PART No: CG-NPT-XX-X
-------------------------------------	----------------------

DRG No: 09-111	NPR No: EU09-0034	SHEET SIZE A4
----------------	-------------------	---------------

DRN MT	DATE 09/04/09	CHKD TC	DATE 08/10/09	SCALE NTS	SHEET No. 1 OF 1
--------	---------------	---------	---------------	-----------	------------------



NOTES:
TEMPERATURE RANGE -20 °C TO +100 °C
PROTECTION GRADE IP68 - 5 BAR