



Chipsmall Limited consists of a professional team with an average of over 10 year of expertise in the distribution of electronic components. Based in Hongkong, we have already established firm and mutual-benefit business relationships with customers from,Europe,America and south Asia,supplying obsolete and hard-to-find components to meet their specific needs.

With the principle of “Quality Parts,Customers Priority,Honest Operation,and Considerate Service”,our business mainly focus on the distribution of electronic components. Line cards we deal with include Microchip,ALPS,ROHM,Xilinx,Pulse,ON,Everlight and Freescale. Main products comprise IC,Modules,Potentiometer,IC Socket,Relay,Connector.Our parts cover such applications as commercial,industrial, and automotives areas.

We are looking forward to setting up business relationship with you and hope to provide you with the best service and solution. Let us make a better world for our industry!



Contact us

Tel: +86-755-8981 8866 Fax: +86-755-8427 6832

Email & Skype: info@chipsmall.com Web: www.chipsmall.com

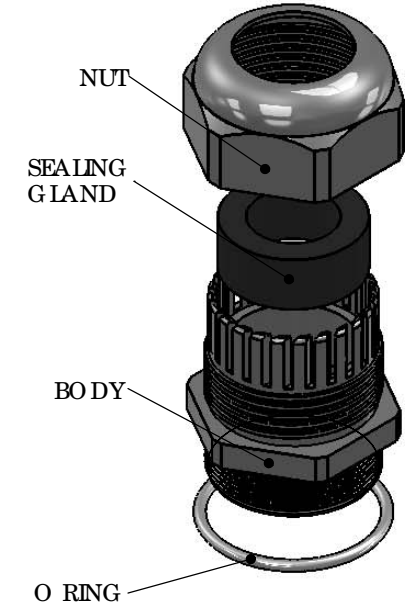
Address: A1208, Overseas Decoration Building, #122 Zhenhua RD., Futian, Shenzhen, China





| REV. | MODIFICATION. | DATE | DRN |
|------|--------------------|----------|-----|
| 01 | Production release | 08/10/09 | MT |
| 02 | CO2010958 | 15/07/10 | MT |
| 03 | CO2011029 | 14/12/10 | SF |
| 04 | CO2011176 | 27/07/11 | SF |

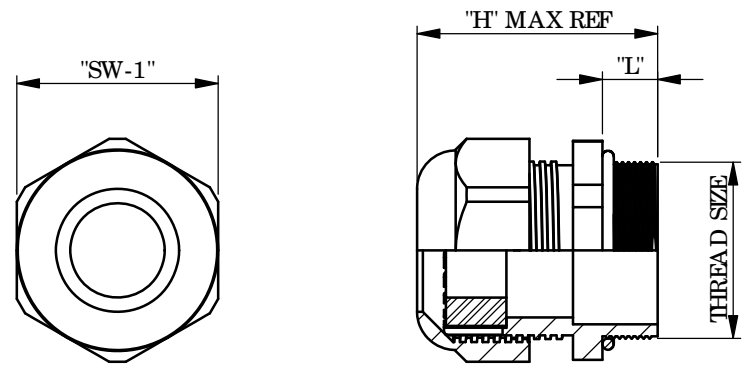
| PART NUMBER COLOUR: GREY RAL 7035 SPECIAL ORDER NAFTA | PART NUMBER COLOUR: BLACK RAL 9005 SPECIAL ORDER EU | THREAD SIZE | CABLE DIAMETER | | SUGGESTED CLEARANCE HOLE FOR NON THREADED MOUNTING | "L" ±0.5[.020] | "SW-1" ±0.5[.020] | "H" MAX REF | INSTALLATION TORQUE** |
|---|---|----------------|----------------|-----------|--|-------------------|----------------------|----------------|--------------------------|
| | | | MIN Ø | MAX Ø | | | | | |
| CG-PG 7-1 | CG-PG 7-1-BK | PG 7 | 2[.079] | 5[.197] | 12.7[.500] | 8[.315] | 15[.591] | 30.5[1.201] | 0.7 |
| CG-PG 7-2 | CG-PG 7-2-BK | | 3[.118] | 6.5[.256] | | | | | |
| CG-PG 9-1 | CG-PG 9-1-BK | PG 9 | 2[.079] | 6[.236] | 15.4[.606] | 8[.315] | 19[.748] | 34[1.339] | 2.2 |
| CG-PG 9-2 | CG-PG 9-2-BK | | 4[.157] | 8[.315] | | | | | |
| CG-PG 11-1 | CG-PG 11-1-BK | PG 11 | 3[.118] | 7[.276] | 18.8[.740] | 11[.433] | 22[.866] | 37[1.457] | 5.0 |
| CG-PG 11-2 | CG-PG 11-2-BK | | 5[.197] | 10[.394] | | | | | |
| CG-PG 13.5-1 | CG-PG 13.5-1-BK | PG 13.5 | 6[.236] | 12[.472] | 20.7[.815] | 9[.354] | 24[.945] | 39[1.535] | 2.7 |
| CG-PG 16-1 | CG-PG 16-1-BK | PG 16 | 10[.394] | 14[.551] | 22.8[.898] | 10[.394] | 27[1.063] | 42.5[1.673] | 3.0 |
| CG-PG 21-1 | CG-PG 21-1-BK | PG 21 | 9[.236] | 16[.630] | 28.6[1.126] | 11[.433] | 33[1.299] | 47.5[1.870] | 5.0 |
| CG-PG 21-2 | CG-PG 21-2-BK | | 13[.512] | 18[.709] | | | | | |
| CG-PG 29-1 | CG-PG 29-1-BK | PG 29 | 12[.472] | 20[.787] | 37.4[1.472] | | 42[1.654] | 53[2.087] | 7.5 |
| CG-PG 36-1 | CG-PG 36-1-BK | PG 36 | 20[.787] | 26[1.024] | 47.5[1.870] | 13[.512] | 53[2.087] | 61[2.402] | |
| CG-PG 36-2 | CG-PG 36-2-BK | | 22[.866] | 32[1.260] | | | | | |



O RING INCLUDED WITH THREADS PG 29 AND PG 36

**TESTED WITH SPECIFIED TEST MANDRELS ACCORDING DIN EN 50262, CHAPTER 5.7. DEPENDING ON THE CABLE CONSTRUCTION DIFFERENCES ARE POSSIBLE.

ALTERNATE UNITS FOR REFERENCE ONLY



NOTES:
TEMPERATURE RANGE -20 °C TO +100 °C
PROTECTION GRADE IP68 - 5 BAR

INFORMATION CONTAINED IN THIS DOCUMENT IS CONFIDENTIAL TO RICHO INTERNATIONAL Co., Ltd. AND MAY NOT BE DISCLOSED OR REPRODUCED IN WHOLE OR PART WITHOUT THEIR WRITTEN CONSENT.

RICHO, INC.
WWW.RICHO-INC.COM

ALL DIMENSIONS IN mm [inch]
GENERAL TOLERANCES
UNLESS OTHERWISE STATED
1 DECIMAL PLACE ±
2 DECIMAL PLACES ±
ANGULAR ±1°

THIRD ANGLE

MATERIAL: BODY AND NUT - NYLON 6 UL94 V-2 (RMS-036)
SEALING GLAND - CR/NBR (RMS-037)
O RING - NBR (RMS-041)

COLOUR: BODY AND NUT SEE TABLE
SEAL GREY, O RING: BLACK

DESCRIPTION: CABLE GLANDS - PG TYPE

PART No: CG-PG XX-X

DRG No: 09-109

NPR No: EU09-0034

SHEET SIZE A4

| | | | | | |
|-----|----------|------|----------|-------|-----------|
| DRN | DATE | CHKD | DATE | SCALE | SHEET No. |
| MT | 09/04/09 | TC | 08/10/09 | NTS | 1 OF 1 |