



Chipsmall Limited consists of a professional team with an average of over 10 year of expertise in the distribution of electronic components. Based in Hongkong, we have already established firm and mutual-benefit business relationships with customers from,Europe,America and south Asia,supplying obsolete and hard-to-find components to meet their specific needs.

With the principle of “Quality Parts,Customers Priority,Honest Operation,and Considerate Service”,our business mainly focus on the distribution of electronic components. Line cards we deal with include Microchip,ALPS,ROHM,Xilinx,Pulse,ON,Everlight and Freescale. Main products comprise IC,Modules,Potentiometer,IC Socket,Relay,Connector.Our parts cover such applications as commercial,industrial, and automotives areas.

We are looking forward to setting up business relationship with you and hope to provide you with the best service and solution. Let us make a better world for our industry!



Contact us

Tel: +86-755-8981 8866 Fax: +86-755-8427 6832

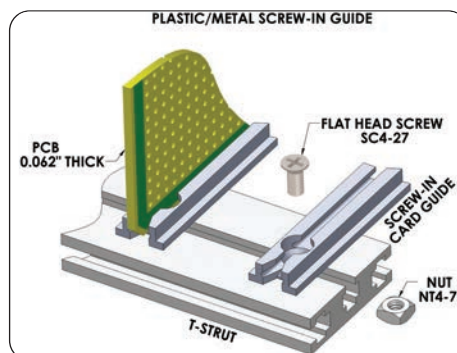
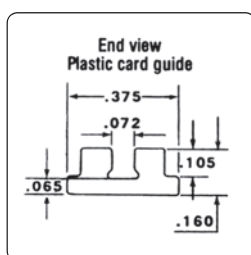
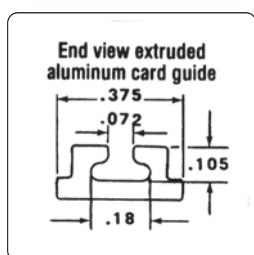
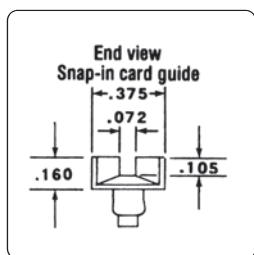
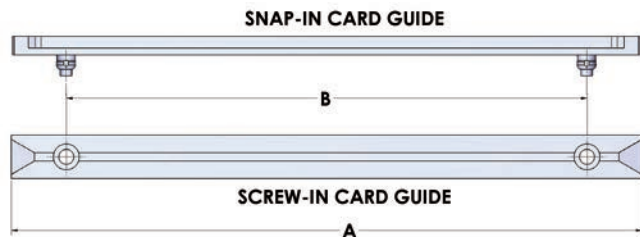
Email & Skype: info@chipsmall.com Web: www.chipsmall.com

Address: A1208, Overseas Decoration Building, #122 Zhenhua RD., Futian, Shenzhen, China

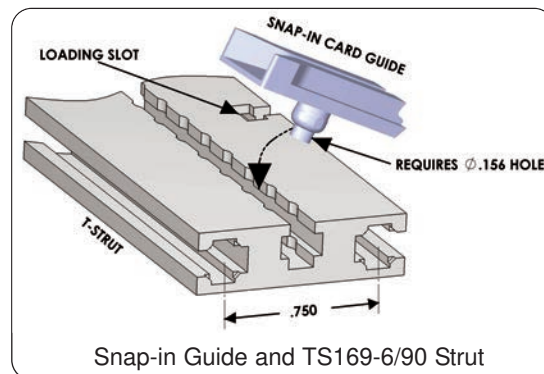


Card Guides

High quality card guides feature tapered slots for easy insertion. Snap-in nylon models provide easy installation and removal without tools, and can be positioned at 0.25" increments (64 0.156" holes on 0.250" centers) when used with Vector-Pak T-struts (TS169-6/90). Screw-mounted models (installation hardware included) are available in metal or plastic and provide variable positioning along entire length of strut. Holes for mounting guides to struts are based on center-to-center multiples of 0.75". All materials are flame retardant.



Metal or plastic screw down card guides attach with SC4-27/25 flat head screw and NT4-7PA square nut



Snap-in Guide and TS169-6/90 Strut

Part No.	Type	Length		Card Length	Application
		A	B		
CG2-45P	Plastic, Screw-in	2.89"	2.25"	4.50"	
CG2-45S	Nylon, Snap-in	3.17"	2.25"	4.50"	Subrack series 12,
CG2-50P	Plastic, Screw-in	4.39"	3.75"	5.00"	13, 14, 15, 16, 17,
CG2-65M	Metal, Screw-in	5.14"	4.50"	6.50"	18, 19, 20 & 100
CG2-65P	Plastic, Screw-in	5.42"	4.50"	6.50"	and Vector P series
CG2-65S	Nylon, Snap-in	5.42"	4.50"	6.50"	sidewalls
CG2-80P	Plastic, Screw-in	6.64"	6.00"	8.00"	
CG2-80S	Nylon, Snap-in	6.93"	6.00"	8.00"	Subrack series 14,
CG2-95M	Metal, Screw-in	8.14"	7.50"	9.50"	15, 16, 17, 18, 19,
CG2-95P	Plastic, Screw-in	8.14"	7.50"	9.50"	20 and 100 and
CG2-95S	Nylon, Snap-in	8.43"	7.50"	9.50"	Vector P series side-
CG2-132M	Metal, Screw-in	11.89"	11.25"	13.25"	walls ending in 119
CG2-132P	Plastic, Screw-in	11.89"	11.25"	13.25"	or 156
CG2-135M	Metal, Screw-in	13.19"	12.55"	Special length	Special Length
CG2-135P	Plastic, Screw-in	13.19"	12.55"	Special length	Special length

Packages of 12 ea. Screw down types include installation hardware and are available in custom lengths on request.