



Chipsmall Limited consists of a professional team with an average of over 10 year of expertise in the distribution of electronic components. Based in Hongkong, we have already established firm and mutual-benefit business relationships with customers from,Europe,America and south Asia,supplying obsolete and hard-to-find components to meet their specific needs.

With the principle of “Quality Parts,Customers Priority,Honest Operation,and Considerate Service”,our business mainly focus on the distribution of electronic components. Line cards we deal with include Microchip,ALPS,ROHM,Xilinx,Pulse,ON,Everlight and Freescale. Main products comprise IC,Modules,Potentiometer,IC Socket,Relay,Connector.Our parts cover such applications as commercial,industrial, and automotives areas.

We are looking forward to setting up business relationship with you and hope to provide you with the best service and solution. Let us make a better world for our industry!



## Contact us

Tel: +86-755-8981 8866 Fax: +86-755-8427 6832

Email & Skype: info@chipsmall.com Web: www.chipsmall.com

Address: A1208, Overseas Decoration Building, #122 Zhenhua RD., Futian, Shenzhen, China



### Standard Lithium Ion Battery Pack

CGA-7/102  
900mAh

Lithium Ion Batteries

June, 2001 No.1-2

Matsushita Battery Industrial Co., Ltd.

Standard removable Li-Ion pack shortens product development time.



CGA-7/102  
900mAh  
Thickness  
7.0mm

#### Overview

Panasonic has introduced a standard single cell Lithium Ion battery pack with a built-in safety circuits providing a complete Li-ion power solution that is just slightly larger than the actual cell. The Li-ion pack incorporates Panasonic's high energy density CGA633450 Li-ion prismatic cell with the latest technologies for miniaturized circuit boards and ultra-thin plastic housings.

#### Features

- ① Safety circuitry incorporated into the pack.
- ② Ultra-thin and durable plastic housing allows for a complete pack solution that is only slightly larger than the actual Li-ion cell.
- ③ A standard external charger is also available.

#### Applications

Communication \*devices, Digital cameras, Portable devices, AV equipment

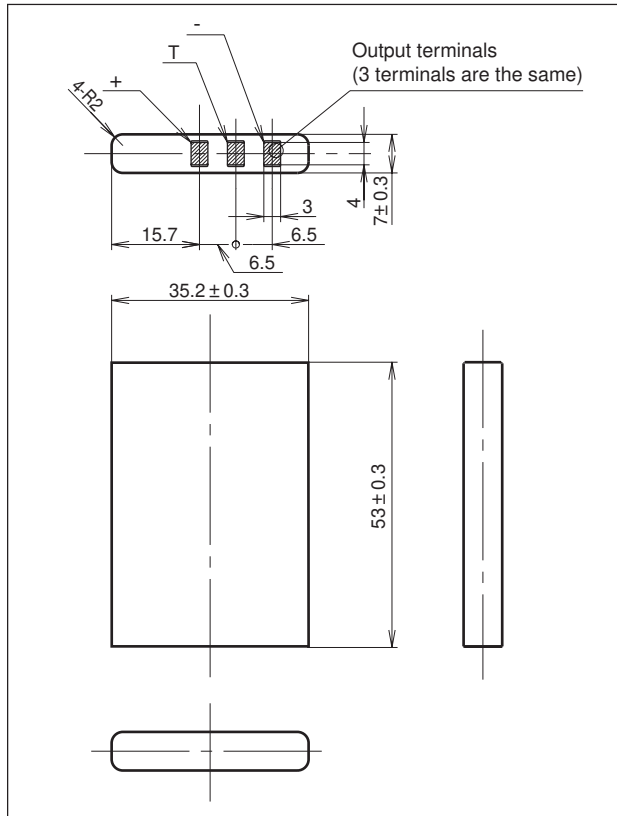


## ■ Specifications

Model number	Single cell	Nominal voltage(V)	Average capacity(mAh)	Dimensions(mm)			Weight(g)
				Width	Height	Thickness	
CGA-7/102	CGA633450	3.7	900	35.2±0.3	53.0±0.3	7.0±0.3	27

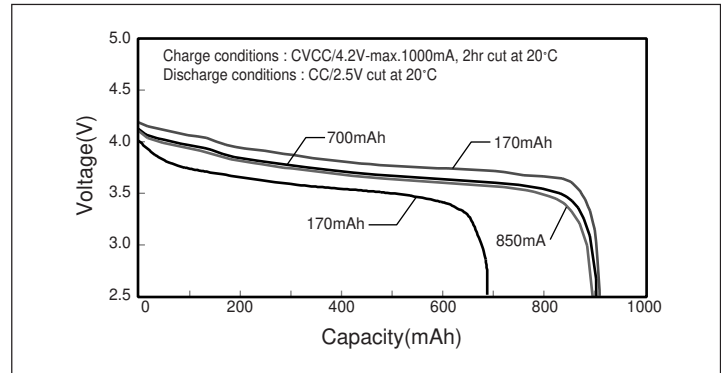
## ■ Dimensions

CGA-7/102



## ■ Discharge characteristics

CGA-7/102



## ⚠ Warning

- Improper handling may result in battery short circuits, melted insulation, or damage to safety valves and mechanisms, causing batteries to leak, generate heat or rupture. Be sure to observe the following precautions for use.
  - Do not expose the batteries to direct heat or flame.
  - Do not insert the batteries with the positive (+) and negative (-) terminals reversed.
  - The +/- terminals are aligned so the batteries will not work when inserted in the wrong direction. If the batteries do not easily fit into the equipment or charger, check the +/- alignment and do not try to forcibly insert the batteries.
  - Do not directly connect the batteries to electrical outlets or automobile cigarette lighter sockets.
  - Do not connect the positive (+) and negative (-) terminals of the batteries to each other with any metal object. Also, do not store the batteries together with conductive items such as necklaces, paper clips or pins, etc.
  - Do not solder directly to the battery.
  - Do not disassemble or modify the battery. The battery contains safety devices that, if damaged, may cause the battery to generate heat, rupture or ignite.
  - As a safety measure, these batteries contain an internal pressure/gas release valve. Do not damage or deform the positive (+) terminal as it may prevent the proper function of this valve.
  - When charging the batteries, be sure to use only a Panasonic designed charger and observe charging conditions specified by Panasonic.
- When designing these batteries into a piece of equipment or product, do not design an airtight battery compartment since any pressure or gas venting by the battery may cause the compartment to rupture or swell.
- If leaked fluid from the battery gets into your eyes do not rub your eyes. Wash the eyes thoroughly with clean water and seek medical care immediately.

This literature contains information concerning cells and batteries manufactured by Matsushita Battery Industrial Co., Ltd. This information is generally descriptive only and is not intended to make or imply any representation guarantee or warranty with respect to any cells and batteries. Cell and battery designs are subject to modification without notice. Contact Panasonic for safety precautions and the latest specifications before purchase and/or use. © 2001 Copyright Matsushita Battery Industrial Co., Ltd. All rights reserved.