



Chipsmall Limited consists of a professional team with an average of over 10 year of expertise in the distribution of electronic components. Based in Hongkong, we have already established firm and mutual-benefit business relationships with customers from,Europe,America and south Asia,supplying obsolete and hard-to-find components to meet their specific needs.

With the principle of “Quality Parts,Customers Priority,Honest Operation,and Considerate Service”,our business mainly focus on the distribution of electronic components. Line cards we deal with include Microchip,ALPS,ROHM,Xilinx,Pulse,ON,Everlight and Freescale. Main products comprise IC,Modules,Potentiometer,IC Socket,Relay,Connector.Our parts cover such applications as commercial,industrial, and automotives areas.

We are looking forward to setting up business relationship with you and hope to provide you with the best service and solution. Let us make a better world for our industry!



Contact us

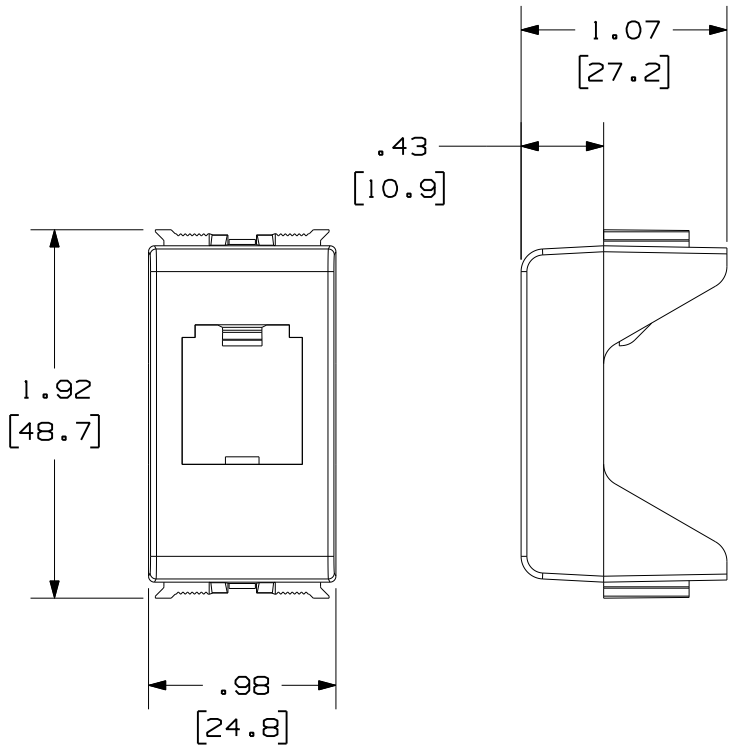
Tel: +86-755-8981 8866 Fax: +86-755-8427 6832

Email & Skype: info@chipsmall.com Web: www.chipsmall.com

Address: A1208, Overseas Decoration Building, #122 Zhenhua RD., Futian, Shenzhen, China



THIS COPY IS PROVIDED ON A RESTRICTED BASIS AND IS NOT TO BE USED IN ANY WAY DETRIMENTAL TO THE INTERESTS OF PANDUIT CORP.

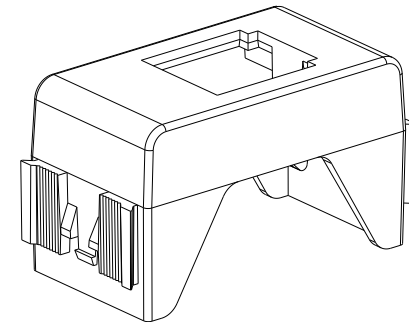


PANDUIT P/N	WEIGHT
CGA**-X	.15 LB/10 PCS (67.0 g/10 PCS)



NOTES:

1. SEE CURRENT CATALOG FOR ADDITIONAL PART NUMBER SUFFIXES TO INDICATE COLOR AND OR PACKAGE QUANTITY.
2. SEE CATALOG FOR COMPLETE LIST OF PARTS APPLICABLE FOR USE WITH THIS PART.
3. DIMENSIONS IN PARENTHESES ARE IN METRIC.
4. MATERIAL: POLYCARBONATE



PART NUMBER	CGA**-X	PRODUCT SPEC/PKG SPEC	N/A
I.I. NUMBER	N/A	WORK INSTRUCTION	N/A

TITLE	
MINI-COM GEWISS FACEPLATE ADAPTER	
CUSTOMER DRAWING	
ITEM REVISION NAME	M00047BA/02.PRT

DATASET FILE NAME	M00047BA_DC/02C.PRT	PANDUIT TM
UNLESS OTHERWISE SPECIFIED, DIMENSIONAL TOLERANCES ARE: IN [mm]		

.x : .1 [2.54]	.xxx : .005 [.127]	DRAWING NUMBER: 00047-02
.xx : .01 [.25]	ANGLES : 5 °	
THIRD ANGLE PROJECTION		

REV	DATE	BY	CHK	APR	DESCRIPTION	ECN
2	11-14-12	BJN	JSP	JSP	B. UPDATED DWG FORMAT TO REFLECT CURRENT LOGO	00047-02
1	7-10-07	JSP	TCK	TCK	A. ADDED "**-X" TTO PART NUMBER	00047-02
R	1-25-99	JSP	PBD	PBD	RELEASED TO PRODUCTION	00047-02

REV	DATE	BY	CHK	APR	DESCRIPTION	ECN	DRAWN BY	DATE	CHK	SCALE	SHT 1 OF 1	SIZE
							JSP	1-25-99	PBD	NONE		A