



Chipsmall Limited consists of a professional team with an average of over 10 year of expertise in the distribution of electronic components. Based in Hongkong, we have already established firm and mutual-benefit business relationships with customers from,Europe,America and south Asia,supplying obsolete and hard-to-find components to meet their specific needs.

With the principle of “Quality Parts,Customers Priority,Honest Operation,and Considerate Service”,our business mainly focus on the distribution of electronic components. Line cards we deal with include Microchip,ALPS,ROHM,Xilinx,Pulse,ON,Everlight and Freescale. Main products comprise IC,Modules,Potentiometer,IC Socket,Relay,Connector.Our parts cover such applications as commercial,industrial, and automotives areas.

We are looking forward to setting up business relationship with you and hope to provide you with the best service and solution. Let us make a better world for our industry!



Contact us

Tel: +86-755-8981 8866 Fax: +86-755-8427 6832

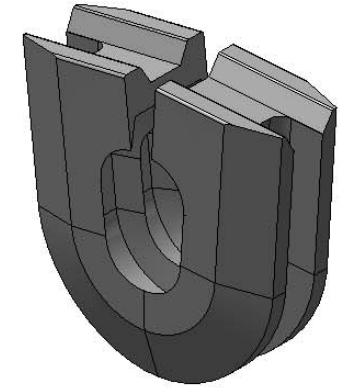
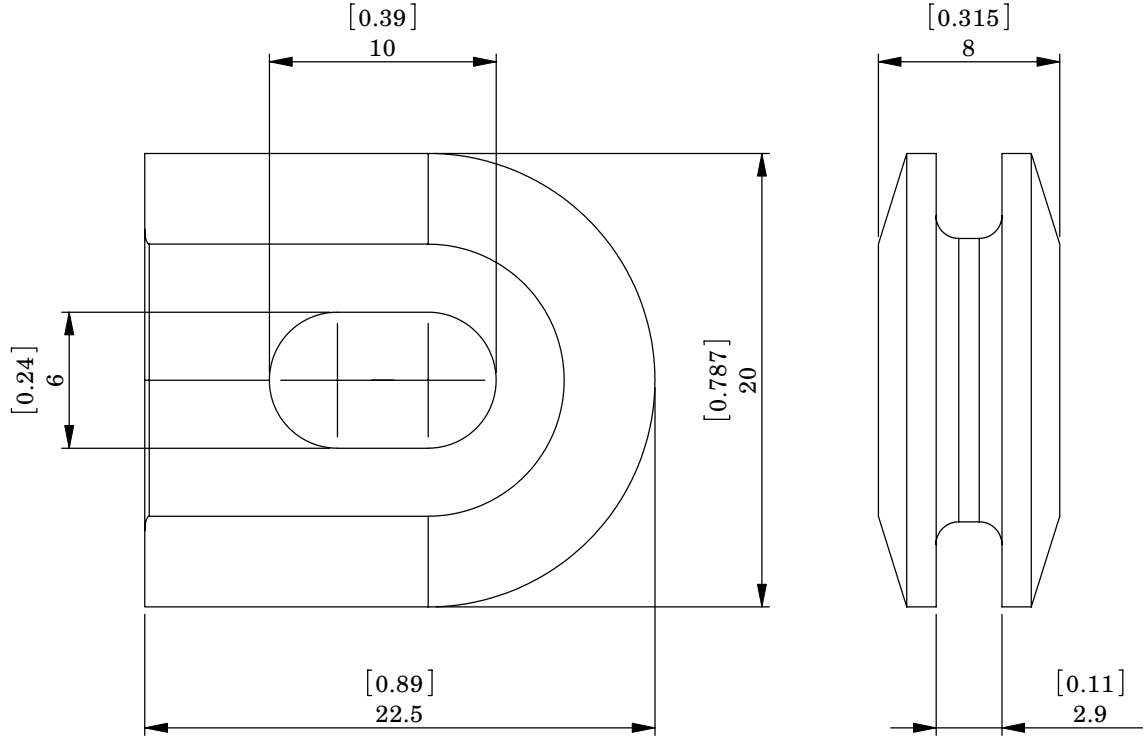
Email & Skype: info@chipsmall.com Web: www.chipsmall.com

Address: A1208, Overseas Decoration Building, #122 Zhenhua RD., Futian, Shenzhen, China

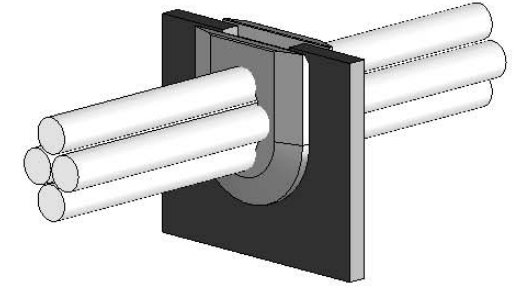
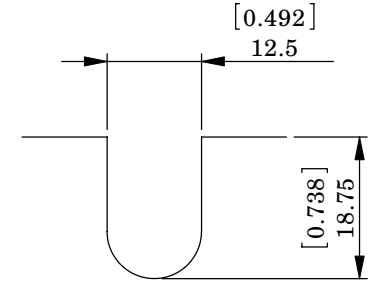


AVAILABLE BY SPECIAL ORDER- NAFTA REGION ONLY

REV.	MODIFICATION.	DATE	DRN
01	NEW SALES DRAWING	24/04/08	MT
02	C O 2010827	18/09/09	OW



CUTO UT DETAILS
MAX PANEL THICKNESS 2.8mm



PART IS DIMENSIONED IN INSTALLATION STATE

- NOTES:
- 1) TEMPERATURE RESISTANCE: 180 °C
 - 2) PARTS AVAILABLE IN WHITE BY SPECIAL ORDER, ADD WH TO END OF PART NUMBER E.G. CGB-1WH

ALTERNATE UNITS FOR REFERENCE ONLY

<p>INFORMATION CONTAINED IN THIS DOCUMENT IS CONFIDENTIAL TO RICHCO INTERNATIONAL Co. Ltd. AND MAY NOT BE DISCLOSED OR REPRODUCED IN WHOLE OR PART WITHOUT THEIR WRITTEN CONSENT.</p>			
<p>RICHCO, INC. WWW.RICHCO-INC.COM</p>		<p>METRIC PRIMARY UNITS: mm IMPERIAL SECONDARY UNITS: [inches] GENERAL TOLERANCES ±0.25 [0.010] UNLESS OTHERWISE STATED 1 DECIMAL PLACE ± 2 DECIMAL PLACES ± ANGULAR ±1°</p>	<p>THIRD ANGLE</p>
<p>MATERIAL: SILICONE SHORE A 65 +/- 5 (RMS-379)</p>		<p>COLOUR: BLACK</p>	
<p>DESCRIPTION: CABLE PASSAGE</p>		<p>PART No: CGB-1</p>	
<p>DRG No: 07-026</p>		<p>NPR No: 2005-037</p>	
<p>DRN MT</p>		<p>DATE 24/04/08</p>	
<p>CHKD BO</p>		<p>DATE 21/05/08</p>	
<p>MASS:(g) 3.3</p>		<p>SHEET SIZE A4</p>	
<p>SCALE NTS</p>		<p>SHEET No. 1 OF 1</p>	