



Chipsmall Limited consists of a professional team with an average of over 10 year of expertise in the distribution of electronic components. Based in Hongkong, we have already established firm and mutual-benefit business relationships with customers from,Europe,America and south Asia,supplying obsolete and hard-to-find components to meet their specific needs.

With the principle of "Quality Parts,Customers Priority,Honest Operation,and Considerate Service",our business mainly focus on the distribution of electronic components. Line cards we deal with include Microchip,ALPS,ROHM,Xilinx,Pulse,ON,Everlight and Freescale. Main products comprise IC,Modules,Potentiometer,IC Socket,Relay,Connector.Our parts cover such applications as commercial,industrial, and automotives areas.

We are looking forward to setting up business relationship with you and hope to provide you with the best service and solution. Let us make a better world for our industry!



Contact us

Tel: +86-755-8981 8866 Fax: +86-755-8427 6832

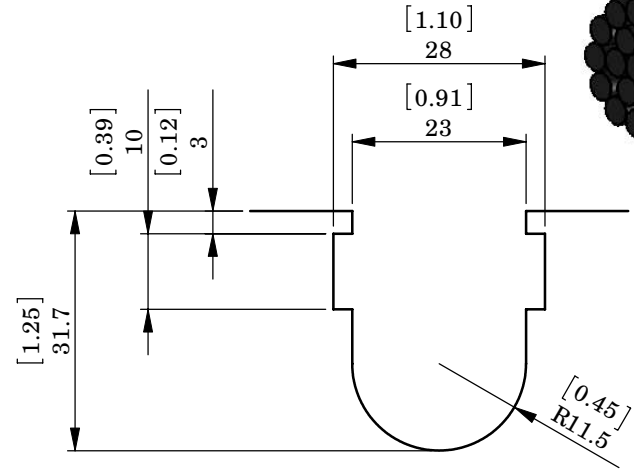
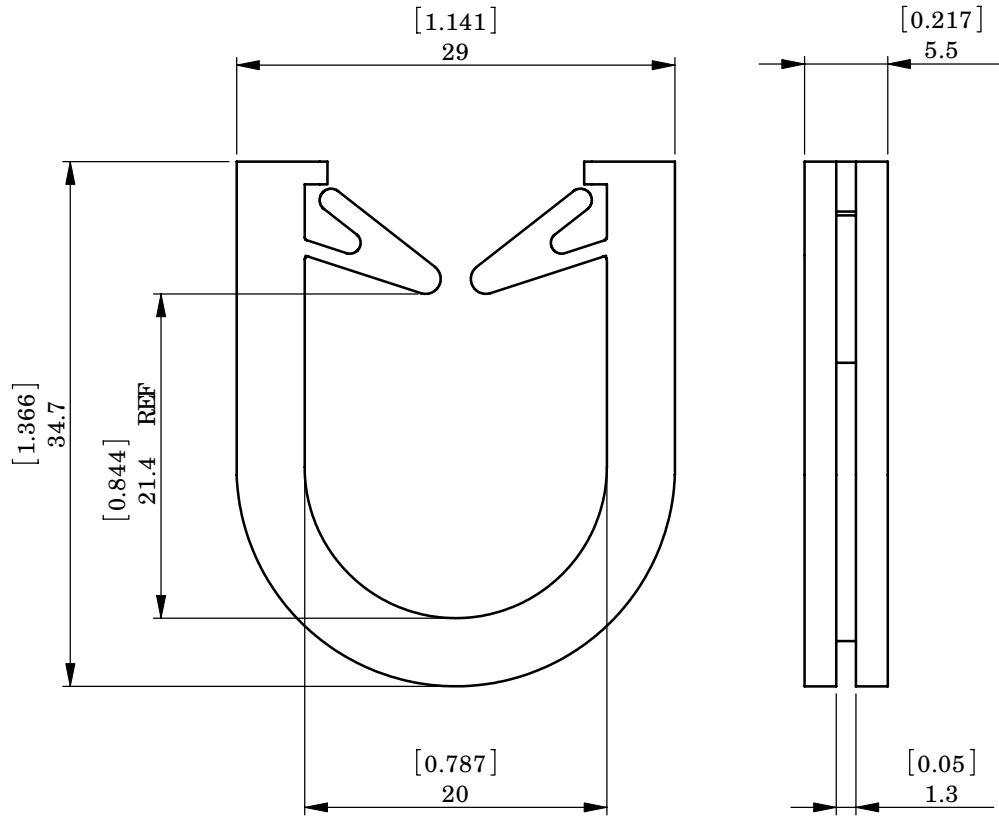
Email & Skype: info@chipsmall.com Web: www.chipsmall.com

Address: A1208, Overseas Decoration Building, #122 Zhenhua RD., Futian, Shenzhen, China

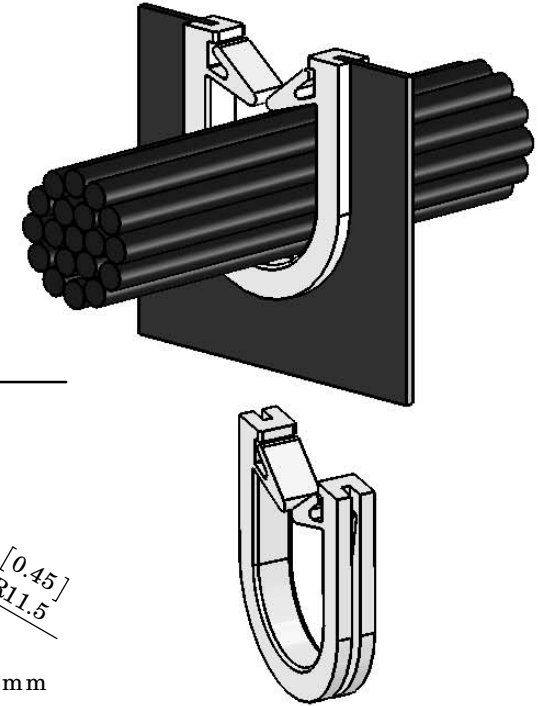


AVAILABLE BY SPECIAL ORDER- NAFTA REGION ONLY

REV.	MODIFICATION.	DATE	DRN
01	PRODUCTION RELEASE	24/04/08	MT
02	CO2010268	30/06/08	TC
03	CO2010362	28/08/08	SF
04	CO2010392	16/09/08	SF
05	CO2010438	13/10/08	SF




PANEL THICKNESS = 1.2mm



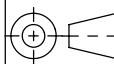
PARTNo	MATERIAL	COLOUR
CGC-1-01	NYLON 66 (RMS-01)	NATURAL
CGC-1-01BK	NYLON 66 (RMS-01)	BLACK
CGC-1-19	NYLON 66 V0(RMS-19)	NATURAL
CGC-1-109	NYLON 46 (RMS-109)	NATURAL
CGC-1-109BK	NYLON 46 (RMS-109)	BLACK

INFORMATION CONTAINED IN THIS DOCUMENT IS CONFIDENTIAL TO RICHCO INTERNATIONAL Co. Ltd. AND MAY NOT BE DISCLOSED OR REPRODUCED IN WHOLE OR PART WITHOUT THEIR WRITTEN CONSENT.



METRIC PRIMARY UNITS: mm
 IMPERIAL SECONDARY UNITS: [inches]
 GENERAL TOLERANCES ±0.25 [0.010]
 UNLESS OTHERWISE STATED
 1 DECIMAL PLACE ±
 2 DECIMAL PLACES ±
 ANGULAR ±1°

THIRD ANGLE



MATERIAL: SEE TABLE	COLOUR: SEE TABLE
----------------------------	--------------------------

DESCRIPTION: 'U' WIRE CLIP	PARTNo: SEE TABLE
-----------------------------------	--------------------------

DRG No: 07-141S	NPR No: 2007-341	Mass:(g) 2.2	SHEET SIZE A4
------------------------	-------------------------	---------------------	----------------------

DRN MT	DATE 24/04/08	CHKD BO	DATE 21/05/08	SCALE NTS	SHEETNo. 1 OF 1
---------------	----------------------	----------------	----------------------	------------------	------------------------